

5164713-8 ✓ ACTIVE

## MINI-MATCH

TE Internal #: 5164713-8

PCB Mount Header, Vertical, Board-to-Board, 8 Position, 2.5 mm [.098 in] Centerline, Unshrouded, Tin, Through Hole - Solder, Power & Signal, Green

[View on TE.com >](#)



Connectors > PCB Connectors > PCB Headers & Receptacles



EU RoHS Compliance: **Compliant**

EU ELV Compliance: **Compliant**

PCB Connector Assembly Type: **PCB Mount Header**

PCB Mount Orientation: **Vertical**

Connector System: **Board-to-Board**

### Features

#### Other

EU RoHS Compliance Compliant

EU ELV Compliance Compliant

#### Product Type Features

PCB Connector Assembly Type PCB Mount Header

Connector System Board-to-Board

Header Type Unshrouded

Sealable No

Connector & Contact Terminates To Printed Circuit Board

#### Configuration Features

Number of Columns 8

PCB Mount Orientation Vertical

Number of Positions 8

#### Body Features

Primary Product Color Green

#### Contact Features

Contact Mating Area Plating Material Thickness 3.04  $\mu\text{m}$ [120  $\mu\text{in}$ ]

Mating Tab Width 2.79 mm[.11 in]

Contact Layout Inline



Contact Base Material	Phosphor Bronze
Mating Tab Thickness	.5 mm[.02 in]
Contact Mating Area Plating Material	Tin
Contact Type	Tab
Contact Current Rating (Max)	7 A

#### Termination Features

Rectangular Termination Post & Tail Width	.78 mm[.03 in]
Rectangular Termination Post & Tail Thickness	.5 mm[.02 in]
Termination Post & Tail Length	3.2 mm[.125 in]
Termination Method to PCB	Through Hole - Solder

#### Mechanical Attachment

PCB Mount Retention	Without
PCB Mount Alignment	Without
Connector Mounting Type	Board Mount
Mating Alignment	Without

#### Housing Features

Housing Material	PBT GF20
Centerline (Pitch)	2.5 mm[.098 in]

#### Dimensions

Connector Width	6.3 mm[.248 in]
PCB Thickness (Recommended)	1.6 mm[.06 in]
Connector Height	5.9 mm[.232 in]
Connector Length	20 mm[.787 in]

#### Usage Conditions

Operating Temperature Range	-40 – 85 °C[-40 – 185 °F]
-----------------------------	---------------------------

#### Operation/Application

Circuit Application	Power & Signal
---------------------	----------------

#### Industry Standards

Compatible With Agency/Standards Products	UL
UL Rating	Recognized
Compatible With Approved Standards Products	UL
UL Flammability Rating	UL 94V-0



### Packaging Features

Packaging Quantity	1750
Packaging Method	Box

### Product Compliance

[For compliance documentation, visit the product page on TE.com>](#)

EU RoHS Directive 2011/65/EU	Compliant
EU ELV Directive 2000/53/EC	Compliant
China RoHS 2 Directive MIIT Order No 32, 2016	No Restricted Materials Above Threshold
EU REACH Regulation (EC) No. 1907/2006	Current ECHA Candidate List: JUNE 2024 (241) Candidate List Declared Against: JUNE 2022 (224) Does not contain REACH SVHC
Halogen Content	Not Low Halogen - contains Br or Cl > 900 ppm.
Solder Process Capability	Wave solder capable to 240°C

#### Product Compliance Disclaimer

This information is provided based on reasonable inquiry of our suppliers and represents our current actual knowledge based on the information they provided. This information is subject to change. The part numbers that TE has identified as EU RoHS compliant have a maximum concentration of 0.1% by weight in homogenous materials for lead, hexavalent chromium, mercury, PBB, PBDE, DBP, BBP, DEHP, DIBP, and 0.01% for cadmium, or qualify for an exemption to these limits as defined in the Annexes of Directive 2011/65/EU (RoHS2). Finished electrical and electronic equipment products will be CE marked as required by Directive 2011/65/EU. Components may not be CE marked. Additionally, the part numbers that TE has identified as EU ELV compliant have a maximum concentration of 0.1% by weight in homogenous materials for lead, hexavalent chromium, and mercury, and 0.01% for cadmium, or qualify for an exemption to these limits as defined in the Annexes of Directive 2000/53/EC (ELV). Regarding the REACH Regulation, the information TE provides on SVHC in articles for this part number is based on the latest European Chemicals Agency (ECHA) 'Guidance on requirements for substances in articles' posted at this URL: <https://echa.europa.eu/guidance-documents/guidance-on-reach>

### Compatible Parts



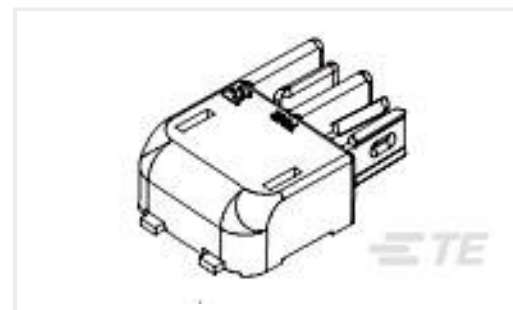
### Customers Also Bought



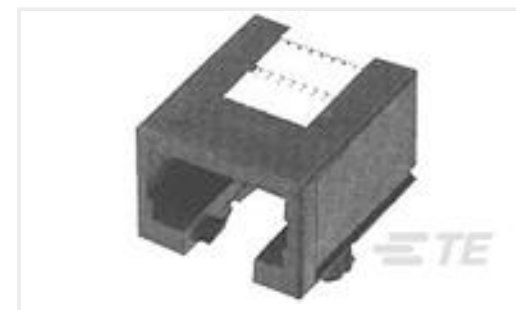
TE Part #9-966140-5  
AMP MCP Unsealed Headers



TE Part #6-440129-2  
HPI 2.0MM,HSG,2POS,BLACK



TE Part #2058703-2  
Herm Blade & Recp Assy, 4 Pos, Latch



TE Part #215876-1  
6/6 PCB MOD.JACK SE



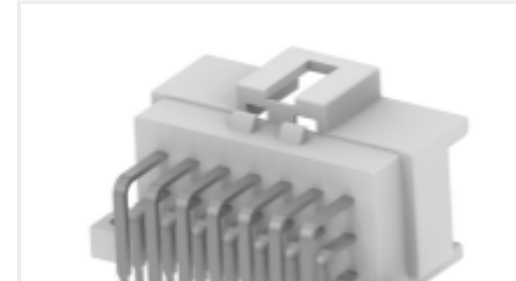
TE Part #1473565-4  
RITS CONN.HDR ASSY 4P



TE Part #1735801-1  
2.0mm,Crimp,Contact



TE Part #5164711-8  
08pos.MINI-MATCH FBTB, 2.5mm pitch



TE Part #8-966140-6  
TAB HEADER 2.8 X 0.8 MM 21 POS



TE Part #214014-E  
SRCA 1,27 8 M 1 SMD 137 E1 094 \*  
GURT \*

## Documents

### Product Drawings

[8P.MINI-MATCH ASSY](#)

English

### CAD Files

Customer View Model

[ENG\\_CVM\\_5164713-8\\_A.3d\\_igs.zip](#)

English

Customer View Model

[ENG\\_CVM\\_5164713-8\\_A.3d\\_stp.zip](#)

English

Customer View Model

[ENG\\_CVM\\_5164713-8\\_A.2d\\_dxf.zip](#)

English

[3D PDF](#)

English

By downloading the CAD file I accept and agree to the [Terms and Conditions](#) of use.

## Product Specifications



[Product Specification](#)

[Mini Match Connection System](#)

English

[Product Specification](#)

English

---

[Instruction Sheets](#)

[Instruction Sheet \(non U.S.\)](#)

German