

2-100525-0 ✓ ACTIVE

Z-PACK | Z-PACK 2mm HM

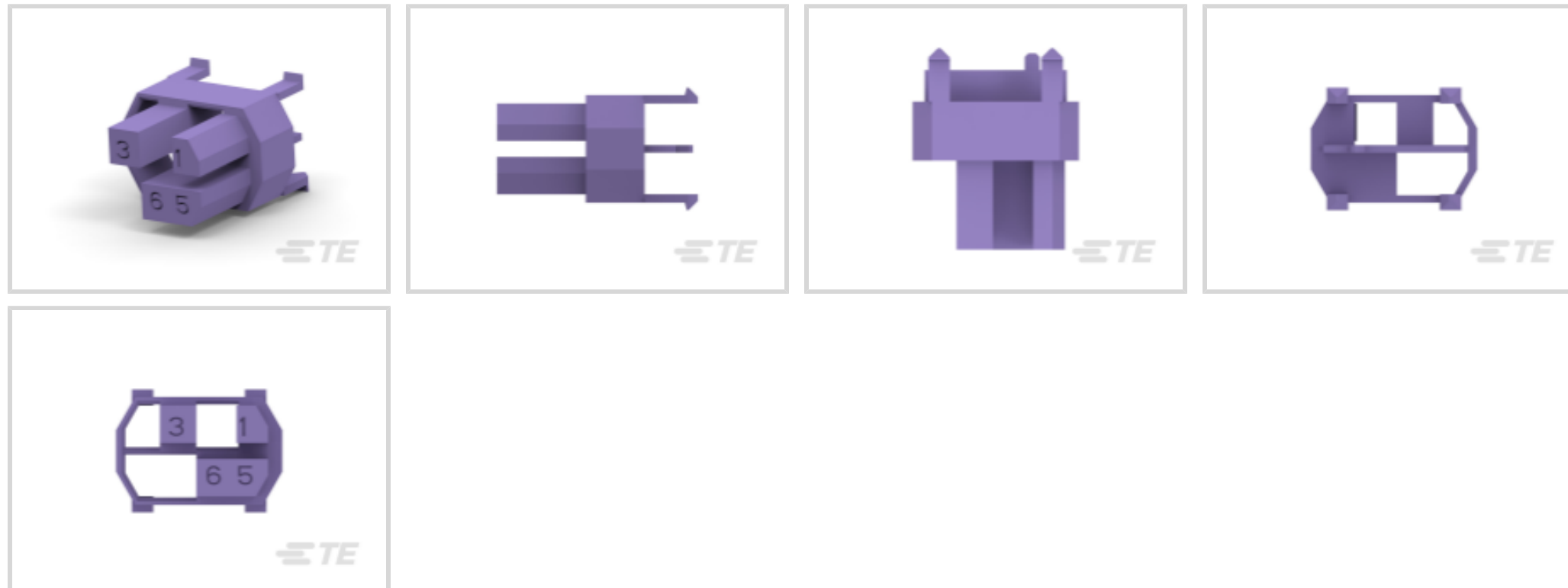
TE Internal #: 2-100525-0

Coding Key, Blue Lilac, Z-PACK 2mm HM

[View on TE.com >](#)



Connectors > Connector Accessories > Connector Hardware



Hardware Accessory Function: **Coding & Keying**

Connector Hardware Accessory Type: **Coding Key**

Primary Product Color: **Blue Lilac**

EU RoHS Compliance: **Compliant**

EU ELV Compliance: **Compliant**

Features

Product Type Features

Hardware Accessory Function	Coding & Keying
Connector Hardware Accessory Type	Coding Key

Body Features

Primary Product Color	Blue Lilac
Connector & Keying Code	1356

Other

EU RoHS Compliance	Compliant
EU ELV Compliance	Compliant

Usage Conditions

Compatible With Connector Style	Plug
---------------------------------	------

Packaging Features

Packaging Method	Bag
Packaging Quantity	500

Product Compliance

[For compliance documentation, visit the product page on TE.com>](#)

EU RoHS Directive 2011/65/EU	Compliant
EU ELV Directive 2000/53/EC	Compliant
China RoHS 2 Directive MIIT Order No 32, 2016	No Restricted Materials Above Threshold
EU REACH Regulation (EC) No. 1907/2006	Current ECHA Candidate List: JUNE 2024 (241) Candidate List Declared Against: JUNE 2024 (241) Does not contain REACH SVHC
Halogen Content	Low Halogen - Br, Cl, F, I < 900 ppm per homogenous material. Also BFR/CFR/PVC Free
Solder Process Capability	Not applicable for solder process capability

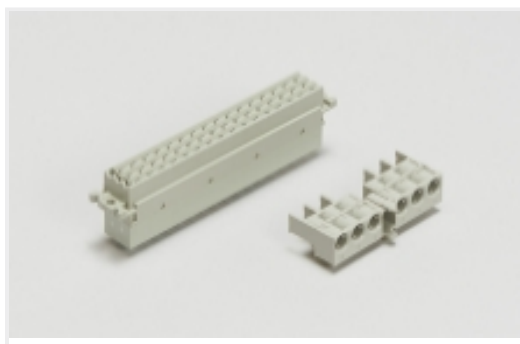
Product Compliance Disclaimer

This information is provided based on reasonable inquiry of our suppliers and represents our current actual knowledge based on the information they provided. This information is subject to change. The part numbers that TE has identified as EU RoHS compliant have a maximum concentration of 0.1% by weight in homogenous materials for lead, hexavalent chromium, mercury, PBB, PBDE, DBP, BBP, DEHP, DIBP, and 0.01% for cadmium, or qualify for an exemption to these limits as defined in the Annexes of Directive 2011/65/EU (RoHS2). Finished electrical and electronic equipment products will be CE marked as required by Directive 2011/65/EU. Components may not be CE marked. Additionally, the part numbers that TE has identified as EU ELV compliant have a maximum concentration of 0.1% by weight in homogenous materials for lead, hexavalent chromium, and mercury, and 0.01% for cadmium, or qualify for an exemption to these limits as defined in the Annexes of Directive 2000/53/EC (ELV). Regarding the REACH Regulation, the information TE provides on SVHC in articles for this part number is based on the latest European Chemicals Agency (ECHA) 'Guidance on requirements for substances in articles' posted at this URL: <https://echa.europa.eu/guidance-documents/guidance-on-reach>

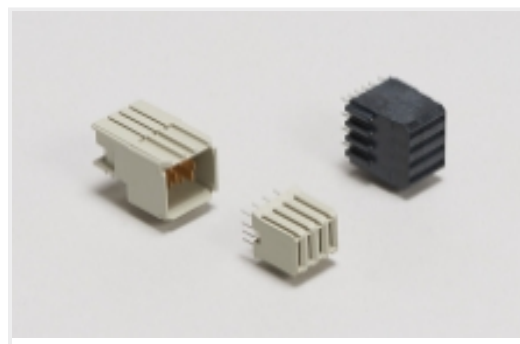
Compatible Parts



Also in the Series | [Z-PACK 2mm HM](#)



Backplane Connector Housings(4)



Backplane Power Connectors(1)



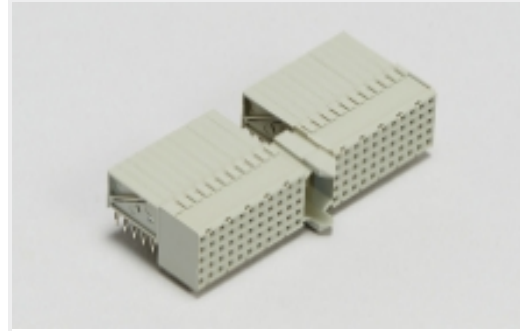
Connector Caps & Covers(62)



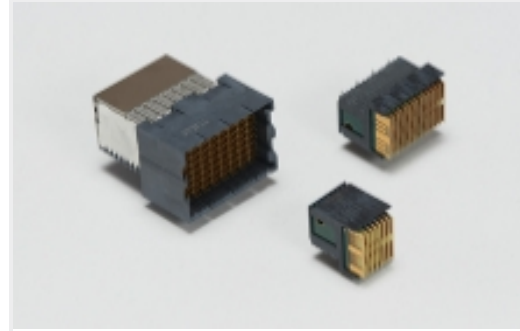
Connector Contacts(2)



Connector Hardware(91)



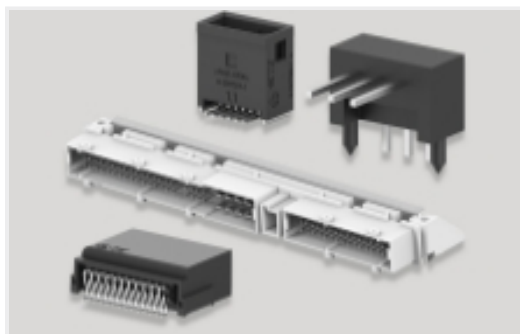
Hard Metric Backplane Connectors (267)



High Speed Backplane Connectors(1)

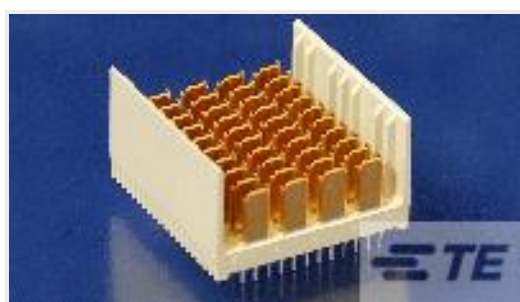


Insertion & Extraction Tools(2)

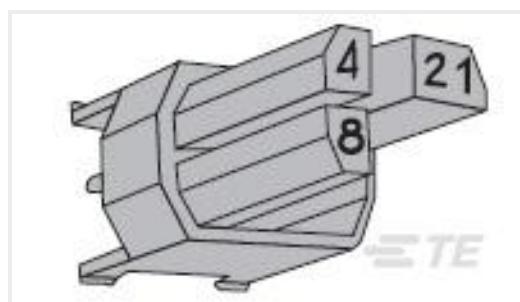


PCB Headers & Receptacles(46)

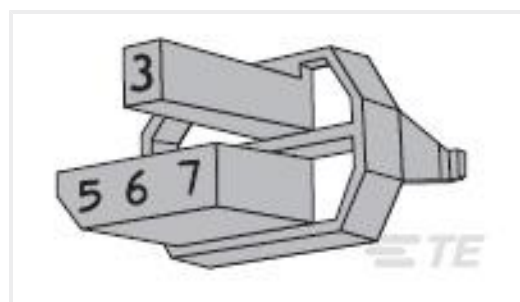
Customers Also Bought



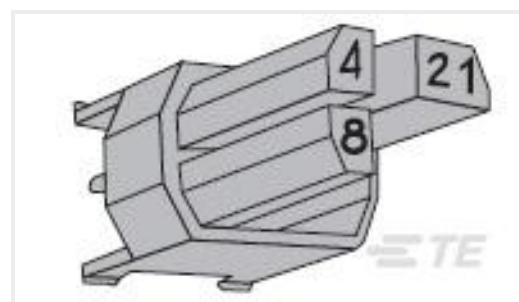
TE Part #1469002-1
HM-ZD 4PR HDR 80P 5.2MM



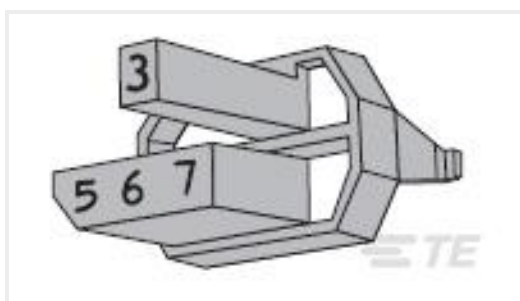
TE Part #5-100525-4
CODING DEV INSRT COLOR GREEN



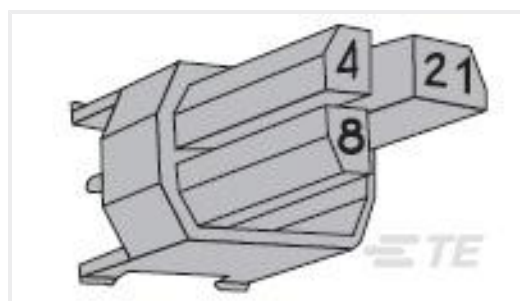
TE Part #100526-9
Z-PACK F.CODING KEY



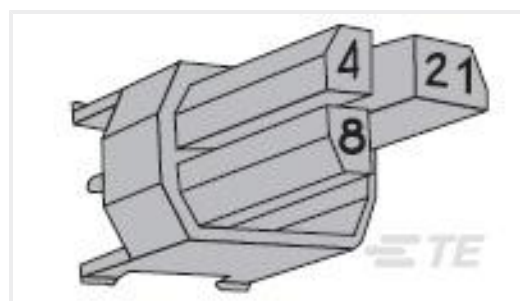
TE Part #5-100525-6
Z-PACK M.CODING KEY



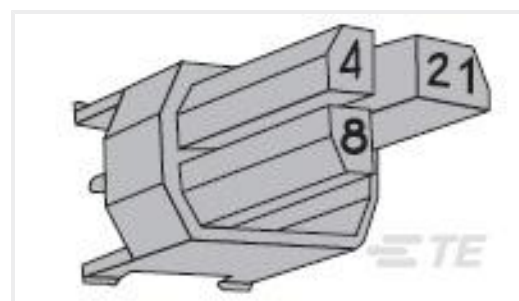
TE Part #5-100526-6
Z-PACK F.CODING KEY



TE Part #3-100525-2
Z-PACK M.CODING KEY



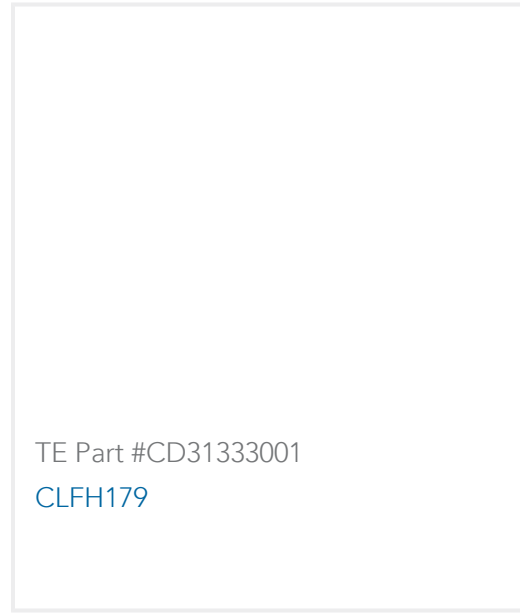
TE Part #100525-9
Z-PACK M.CODING KEY



TE Part #100525-3
Z-PACK M.CODING KEY



TE Part #037328-001
SSB-1202FR



TE Part #CD31333001
CLFH179

Documents

Product Drawings

Z-PACK M.CODING KEY

English

CAD Files

3D PDF

3D

Customer View Model

[ENG_CVM_CVM_2-100525-0_C.2d_dxf.zip](#)

English

Customer View Model

[ENG_CVM_CVM_2-100525-0_C.3d_igs.zip](#)

English

Customer View Model

[ENG_CVM_CVM_2-100525-0_C.3d_stp.zip](#)

English

By downloading the CAD file I accept and agree to the [Terms and Conditions](#) of use.

Product Specifications

Application Specification

English

Application Specification

English