

1-967625-6 ✓ ACTIVE

AMP | Junior Power Timer

TE Internal #: 1-967625-6

Housing for Female Terminals, Wire-to-Board / Wire-to-Wire, 21

Position, 5 mm [.197 in] Centerline, Blue, Power, Junior Power Timer

[View on TE.com >](#)



Connectors > Automotive Connectors > Automotive Housings > Timer Connector Housing



Connector System: **Wire-to-Board, Wire-to-Wire**

Number of Positions: **21**

Connector & Housing Type: **Housing for Female Terminals**

Centerline (Pitch): **5 mm [.197 in]**

Sealable: **No**

[All Timer Connector Housing \(497\)](#)

Features

Product Type Features

Connector System	Wire-to-Board, Wire-to-Wire
Connector & Housing Type	Housing for Female Terminals
Sealable	No
Primary Locking Feature	On the Terminal
Mixed & Hybrid Connector	No
Connector Shape	Rectangular

Configuration Features

Number of Positions	21
Number of Rows	3

Housing Features

Centerline (Pitch)	5 mm [.197 in]
Housing Material	PBT GF

Contact Features

Mating Tab Width	2.8 mm [.11 in]
Contact Current Rating (Max)	30 A
Contact Size	2.8mm
Contact Type	Receptacle



Body Features

Primary Product Color	Blue
Connector & Keying Code	A

Operation/Application

Circuit Application	Power
---------------------	-------

Mechanical Attachment

Connector Mounting Type	Cable Mount (Free-Hanging)
Strain Relief	Without
Terminal Position Assurance	Yes
Mating Alignment Type	Keyed
Mating Alignment	With

Usage Conditions

Operating Temperature (Max)	100 °C[212 °F]
Operating Temperature Range	-30 – 100 °C[-22 – 212 °F]

Electrical Characteristics

Nominal Voltage Architecture	28 V
------------------------------	------

Other

Connector Position Assurance Capable	No
EU RoHS Compliance	Compliant
EU ELV Compliance	Compliant
Serviceable	No

Dimensions

Product Length	36.2 mm[1.425 in]
Connector Height	26.5 mm[1.043 in]

Packaging Features

Packaging Method	Carton
------------------	--------

Product Compliance

[For compliance documentation, visit the product page on TE.com>](#)

EU RoHS Directive 2011/65/EU	Compliant
EU ELV Directive 2000/53/EC	Compliant
China RoHS 2 Directive MIIT Order No 32, 2016	No Restricted Materials Above Threshold



EU REACH Regulation (EC) No. 1907/2006

Current ECHA Candidate List: JUNE 2024 (241)

Candidate List Declared Against: JUNE 2024 (241)

Does not contain REACH SVHC

Halogen Content

BFR/CFR/PVC Free, but Br/Cl >900 ppm in other sources.

Solder Process Capability

Not applicable for solder process capability

Product Compliance Disclaimer

This information is provided based on reasonable inquiry of our suppliers and represents our current actual knowledge based on the information they provided. This information is subject to change. The part numbers that TE has identified as EU RoHS compliant have a maximum concentration of 0.1% by weight in homogenous materials for lead, hexavalent chromium, mercury, PBB, PBDE, DBP, BBP, DEHP, DIBP, and 0.01% for cadmium, or qualify for an exemption to these limits as defined in the Annexes of Directive 2011/65/EU (RoHS2). Finished electrical and electronic equipment products will be CE marked as required by Directive 2011/65/EU. Components may not be CE marked. Additionally, the part numbers that TE has identified as EU ELV compliant have a maximum concentration of 0.1% by weight in homogenous materials for lead, hexavalent chromium, and mercury, and 0.01% for cadmium, or qualify for an exemption to these limits as defined in the Annexes of Directive 2000/53/EC (ELV). Regarding the REACH Regulation, the information TE provides on SVHC in articles for this part number is based on the latest European Chemicals Agency (ECHA) 'Guidance on requirements for substances in articles' posted at this URL: <https://echa.europa.eu/guidance-documents/guidance-on-reach>

Compatible Parts



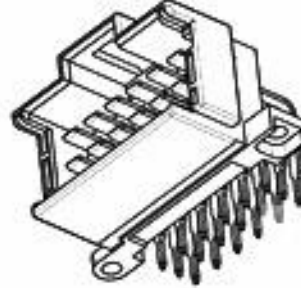
TE Part # 8-968975-2
MCP2.8 GEH ASSY 21P



TE Part # 8-968975-1
MCP2.8 GEH 21P



TE Part # CAT-J96-ULPA
Unsealed Locks and Position Assurance



TE Part # 3-966140-6
MESSERLEISTE 21P




TE Part # CAT-T4827-T273
TIMER, RECEPTACLE AND TAB



TE Part # 1719810-1
JPT REC 2.8 Contact SRC Sn



TE Part # 1-927768-1
JPT REC 2.8 Contact SRC Au

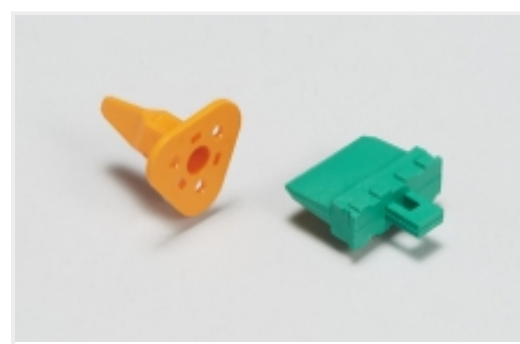


TE Part # 2421721-6
21POS,TAB2.8X0.8,HDR ASSY,90DEG, COD A,RS

Also in the Series | Junior Power Timer



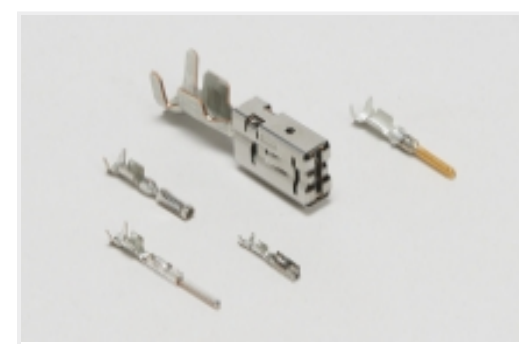
Automotive Connector Caps & Covers (9)



Automotive Connector Locks & Position Assurance (8)



Automotive Housings (306)



Automotive Terminals (153)



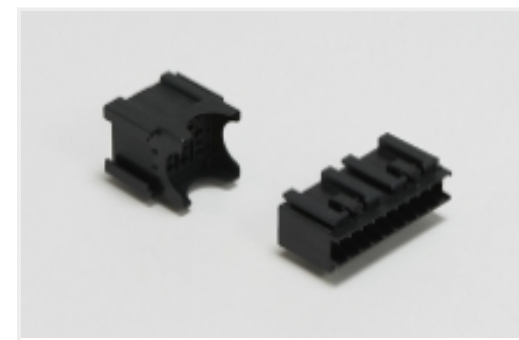
Busbars & Terminals (1)



Connector Seals & Cavity Plugs (8)



Insertion & Extraction Tools (8)



Module Components (1)



Other Automotive Connector Accessories (2)



Special Purpose Terminals (2)

Customers Also Bought



TE Part #1-967625-1
Timer Connector Housing



TE Part #1-967625-3
JUN-POW-TIM GEH 21P



TE Part #1-967630-3
FLACHSTE-GEH2,8 21P

Documents

Product Drawings

[JUN-POW-TIM GEH 21P](#)

English

CAD Files

Customer View Model

[ENG_CVM_1-967625-6_D.3d_igs.zip](#)

English



Customer View Model

[ENG_CVM_1-967625-6_D.3d_stp.zip](#)

English

Customer View Model

[ENG_CVM_1-967625-6_D.2d_dxf.zip](#)

English

3D PDF

English

By downloading the CAD file I accept and agree to the [Terms and Conditions](#) of use.

Product Specifications

[Product Specification](#)

English

[Product Specification](#)

English