

52937-3 ✓ ACTIVE

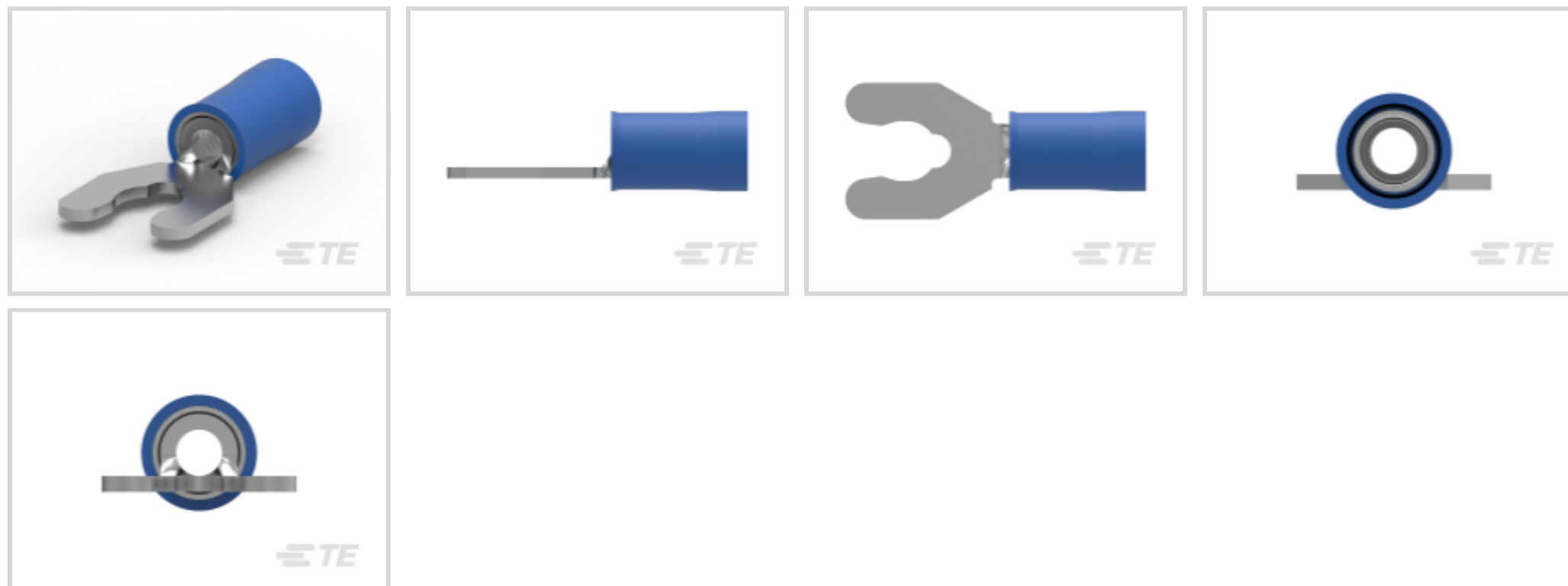
TE Internal #: 52937-3

Spring Spade Terminal, 16 – 14 AWG, #10 Stud Size, 4.82 mm [.19 in] Stud Diameter, Closed Barrel, Straight, Tin, Partially Insulated

[View on TE.com >](#)



Terminals & Splices > Spade Terminals > PIDG Short Spring Spade Tongue Terminals



Spade Terminal Type: **Spring Spade Terminal**

Wire Size: **2050 – 5180 CMA**

Stud Size: **#10**

[All PIDG Short Spring Spade Tongue Terminals \(38\)](#)

Features

Contact Features

Spade Terminal Type	Spring Spade Terminal
Barrel Type	Closed
Terminal Orientation	Straight
Terminal Plating Material	Tin

Dimensions

Wire Size	2050 – 5180 CMA
Stud Diameter	4.82 mm [.19 in]
Tongue Thickness	.79 mm [.031 in]
Product Length	23.06 mm [.908 in]
Compatible Insulation Diameter (Max)	4.62 mm [.182 in]
Compatible Insulation Diameter Range	2.92 – 4.62 mm [.115 – .182 in]

Product Type Features

Stud Size	#10
Sealable	No
Compatible With Discrete Wire Type	Solid, Stranded



Wire Insulation Support Retention Type

Insulation Support

Usage Conditions

Insulation Option

Partially Insulated

Operating Temperature Range

105 °C[221 °F]

Operation/Application

Compatible With Wire Base Material

Copper

Compatible With Wire Plating Material

Tin

Packaging Features

Packaging Method

Tape Mounted

Packaging Quantity

4000

Other

EU RoHS Compliance

Compliant

EU ELV Compliance

Compliant

Electrical Characteristics

Voltage Rating

300 V

Body Features

Insulation Sleeve Color

Blue

Mechanical Attachment

Wire Insulation Support

With

Industry Standards

Government Qualified Terminal

No

Product Compliance

For compliance documentation, visit the product page on [TE.com](https://www.te.com)>

EU RoHS Directive 2011/65/EU

Compliant

EU ELV Directive 2000/53/EC

Compliant

China RoHS 2 Directive MIIT Order No 32, 2016

No Restricted Materials Above Threshold

EU REACH Regulation (EC) No. 1907/2006

Current ECHA Candidate List: JUNE 2024 (241)
 Candidate List Declared Against: JUNE 2024 (241)
 Does not contain REACH SVHC

Halogen Content

Low Halogen - Br, Cl, F, I < 900 ppm per

homogenous material. Also BFR/CFR/PVC Free

Solder Process Capability

Not applicable for solder process capability

Product Compliance Disclaimer

This information is provided based on reasonable inquiry of our suppliers and represents our current actual knowledge based on the information they provided. This information is subject to change. The part numbers that TE has identified as EU RoHS compliant have a maximum concentration of 0.1% by weight in homogenous materials for lead, hexavalent chromium, mercury, PBB, PBDE, DBP, BBP, DEHP, DIBP, and 0.01% for cadmium, or qualify for an exemption to these limits as defined in the Annexes of Directive 2011/65/EU (RoHS2). Finished electrical and electronic equipment products will be CE marked as required by Directive 2011/65/EU. Components may not be CE marked. Additionally, the part numbers that TE has identified as EU ELV compliant have a maximum concentration of 0.1% by weight in homogenous materials for lead, hexavalent chromium, and mercury, and 0.01% for cadmium, or qualify for an exemption to these limits as defined in the Annexes of Directive 2000/53/EC (ELV). Regarding the REACH Regulation, the information TE provides on SVHC in articles for this part number is based on the latest European Chemicals Agency (ECHA) 'Guidance on requirements for substances in articles' posted at this URL: <https://echa.europa.eu/guidance-documents/guidance-on-reach>


Compatible Parts



TE Part # 59824-1
TETRA-CRIMP PIDG PG FASTON 22-10 ASSY



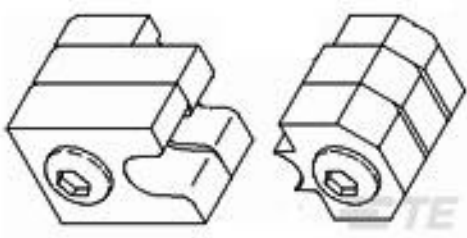
TE Part # 58433-3
PRO CR ASSY, RBY IS9252



TE Part # 47387
DAHT PG PIDG 20-14 ASSY



TE Part # 58423-1
DIE, RBY IS9252



TE Part # 47807-1
DIES PIDG 16-14 DIE SET



TE Part # 169404
CERTI-LOK DIE

Customers Also Bought



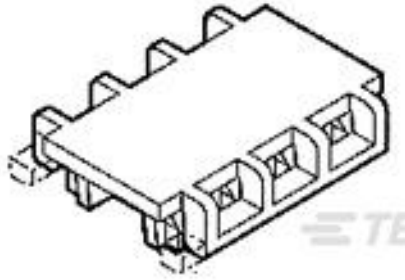
TE Part #5745992-3
25 MSFL RCPT RA 590 (IN,FM)



TE Part #52430-2
PIDG Long Spring Spade Tongue Terminals



TE Part #42111-2
RING TONGUE TERMINAL 18-14 AWG TPBR



TE Part #643071-5
05P MTA156 FD-THRU COVER



TE Part #2301692-1
DUST CAP, 9P, REC, GRN, J1939,
HD10



TE Part #3-644467-3
03P MTA156 CONN ASSY 22AWG LF



TE Part #4-1437186-1
FST-21A-3



TE Part #3-644467-5
05P MTA156 CONN ASSY 22AWG LF

Documents

Product Drawings

[TERM, PIDG, SPR SPD, 16-14, #10, T&R](#)

English

CAD Files

Customer View Model

[ENG_CVM_CVM_52937-3_T.2d_dxf.zip](#)

English

[3D PDF](#)

3D

Customer View Model

[ENG_CVM_CVM_52937-3_T.3d_igs.zip](#)

English

Customer View Model

[ENG_CVM_CVM_52937-3_T.3d_stp.zip](#)

English

By downloading the CAD file I accept and agree to the [Terms and Conditions](#) of use.

Instruction Sheets

[AMP* PIDG* \(VINYL\) & PLASTI-GRIP* SHORT SPRING SPADE TERMINALS FOR BAR](#)

English

[Instruction Sheet \(U.S.\)](#)

English

[Instruction Sheet \(U.S.\)](#)

English

Agency Approvals

[CSA Certificate](#)

English