

5103311-3 ✓ ACTIVE

## AMP-LATCH

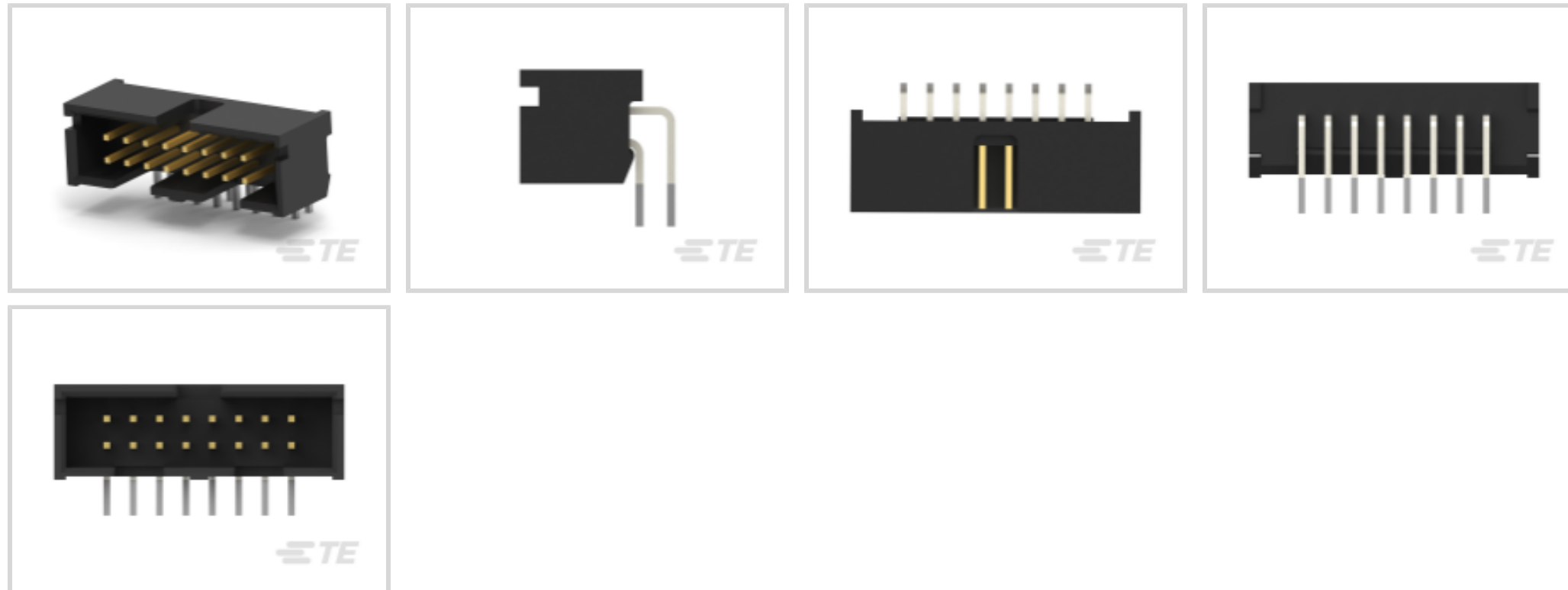
TE Internal #: 5103311-3

Wire-to-Board, 16 Position, 2.54 mm [.1 in] Centerline, Right Angle,  
Through Hole - Solder, 2 Row, Plug, Low Profile, Ribbon Cable  
Connectors

[View on TE.com >](#)



Connectors > PCB Connectors > Wire-to-Board Connectors > FFC, FPC & Ribbon Connectors > Ribbon Cable Connectors



Connector System: **Wire-to-Board**

Number of Positions: **16**

Centerline (Pitch): **2.54 mm [.1 in]**

PCB Mount Retention: **Without**

PCB Mount Orientation: **Right Angle**

## Features

### Contact Features

	30 µin
Contact Current Rating (Max)	1 A
Contact Underplating Material	Nickel
Mating Square Post Dimension	.64 mm[.025 in]
Contact Shape & Form	Square
PCB Contact Termination Area Plating Material Thickness	2.54 µm[100 µin]
Contact Mating Area Plating Material	Gold Flash over Palladium Nickel, Gold
Contact Base Material	Copper Alloy
PCB Contact Termination Area Plating Material	Tin
Contact Type	Pin

### Product Type Features

Connector System	Wire-to-Board
Connector & Housing Type	Plug
Connector & Contact Terminates To	Printed Circuit Board



Connector Product Type	Connector Assembly
------------------------	--------------------

Ribbon Cable Connector Header Type	Pin Header
------------------------------------	------------

### Configuration Features

Number of Positions	16
---------------------	----

PCB Mount Orientation	Right Angle
-----------------------	-------------

Number of Rows	2
----------------	---

### Housing Features

Centerline (Pitch)	2.54 mm[.1 in]
--------------------	----------------

Housing Material	Glass-Filled Nylon/PBT
------------------	------------------------

### Mechanical Attachment

PCB Mount Retention	Without
---------------------	---------

Mating Alignment Type	Dual Polarizing Bar, Center
-----------------------	-----------------------------

Mating Retention	Without
------------------	---------

Connector Mounting Type	Board Mount
-------------------------	-------------

Panel Mount Feature	Without
---------------------	---------

Mating Alignment	With
------------------	------

PCB Mount Alignment	Without
---------------------	---------

### Termination Features

Termination Method to PCB	Through Hole - Solder
---------------------------	-----------------------

Termination Post & Tail Length	3.43 mm[.135 in]
--------------------------------	------------------

Square Termination Post & Tail Dimension	.64 mm[.025 in]
--	-----------------

### Dimensions

Row-to-Row Spacing	2.54 mm[.1 in]
--------------------	----------------

Shrouded End Dimension	3.81 mm[.15 in]
------------------------	-----------------

Connector Height	8.81 mm[.347 in]
------------------	------------------

Connector Length	27.94 mm[1.1 in]
------------------	------------------

### Body Features

Connector Profile	Low
-------------------	-----

Daisy Chain	With
-------------	------

Primary Product Color	Black
-----------------------	-------

### Operation/Application

Circuit Application	Signal
---------------------	--------



Solder Process Feature

Board Standoff

### Usage Conditions

Operating Temperature Range

-65 – 105 °C[-85 – 221 °F]

Housing Temperature Rating

Standard

### Other

EU RoHS Compliance

Compliant

EU ELV Compliance

Compliant

### Electrical Characteristics

Operating Voltage

250 VAC

Insulation Resistance

5000 MΩ

### Industry Standards

UL Flammability Rating

UL 94V-0

### Packaging Features

Packaging Quantity

35

Packaging Method

Tube

### Product Compliance

[For compliance documentation, visit the product page on TE.com>](#)

EU RoHS Directive 2011/65/EU

Compliant

EU ELV Directive 2000/53/EC

Compliant

China RoHS 2 Directive MIIT Order No 32, 2016

No Restricted Materials Above Threshold

EU REACH Regulation (EC) No. 1907/2006

Current ECHA Candidate List: JUNE 2024 (241)  
 Candidate List Declared Against: JUNE 2024 (241)  
 Does not contain REACH SVHC

Halogen Content

BFR/CFR/PVC Free, but Br/Cl &gt;900 ppm in other sources.

Solder Process Capability

Wave solder capable to 265°C

#### Product Compliance Disclaimer

This information is provided based on reasonable inquiry of our suppliers and represents our current actual knowledge based on the information they provided. This information is subject to change. The part numbers that TE has identified as EU RoHS compliant have a maximum concentration of 0.1% by weight in homogenous materials for lead, hexavalent chromium, mercury, PBB, PBDE, DBP, BBP, DEHP, DIBP, and 0.01% for cadmium, or qualify for an exemption to these limits as defined in the Annexes of Directive 2011/65/EU (RoHS2). Finished electrical and electronic equipment products will be CE marked as required by Directive 2011/65/EU. Components may not be CE marked. Additionally, the part numbers that TE has identified as EU ELV compliant have a maximum concentration of 0.1% by weight in homogenous



materials for lead, hexavalent chromium, and mercury, and 0.01% for cadmium, or qualify for an exemption to these limits as defined in the Annexes of Directive 2000/53/EC (ELV). Regarding the REACH Regulation, the information TE provides on SVHC in articles for this part number is based on the latest European Chemicals Agency (ECHA) 'Guidance on requirements for substances in articles' posted at this URL: <https://echa.europa.eu/guidance-documents/guidance-on-reach>

## Compatible Parts



TE Part # 499252-8  
016 STRAIN RELIEF A-L RCPT



TE Part # 1-1658526-1  
609-1641LF FEM SOCKET, LEAD FREE



TE Part # 2-1658526-9  
609-1630LF=FSKT IDC S 16 30AU



TE Part # 1658527-7  
622-1641LF FEM SOCKET, LEAD FREE



TE Part # 1658621-3  
16 NOVO MIL/CTR 15DP, LEAD FREE



TE Part # 1658622-3  
16 NOVO MIL/CTR 30DP, LEAD FREE



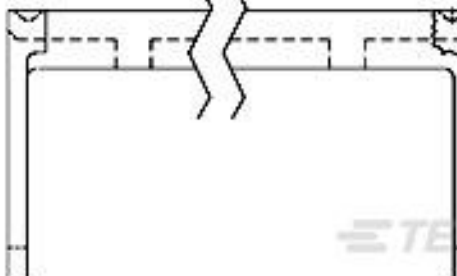
TE Part # 102387-3  
16 MODIV HSG COMP DR .100 POL



TE Part # 1658623-3  
16 NOVO MIL 30DP, LEAD FREE



TE Part # 1658527-6  
622-1630LF FEM SOCKET, LEAD FREE



TE Part # 6-1437020-6  
609-1631HD=FSKT IDC S 16 SR



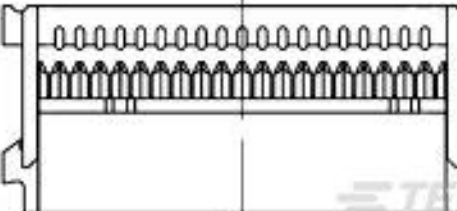
TE Part # 1658528-5  
636-2641LF FEM SOCKET, LEAD FREE



TE Part # 1658620-3  
16 NOVO MIL 15DP, LEAD FREE



TE Part # 1658624-3  
016 NOVO DUAL 30DP FT



TE Part # 1-1658526-0  
609-1601MLF FEM SCKT, LEAD FREE



TE Part # 1-1658528-4  
636-1630LF=FEM SKT BLADE POL 1



TE Part # 2-1658528-7  
636-1641LSLF FEMALE SOCKET CON

## Customers Also Bought



TE Part #323989  
TERMINAL,PIDG R 24-20 8



TE Part #1318124-1  
DYNAMIC D2100 HDR V ASSY 6P



TE Part #1-1337481-0  
SMB R/A PCB Skt 50Ohm Gold Plt



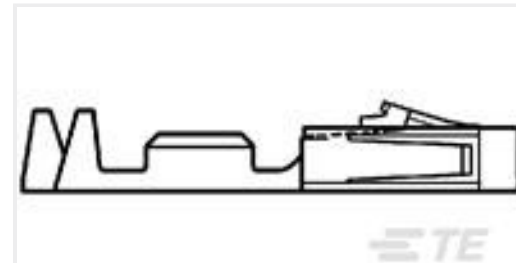
TE Part #5103309-6  
A/L LOW PRO HDR 26P VERT BLACK



TE Part #7-1879338-6  
CPF 0603 162K 1% 50PPM 1K RL



TE Part #1735284-1  
SATA BACKPLANE RECEPTACLE,  
VERTICAL, SMT



TE Part #104480-8  
SHORT POINT RCP CONT LP



TE Part #2-2176328-2  
CRGP 1206 560R 1%

## Documents

### Product Drawings

[A/L LOW PRO HDR 16P RA BLACK](#)

English

### CAD Files

[3D PDF](#)

3D

Customer View Model

[ENG\\_CVM\\_CVM\\_5103311-3\\_B.2d\\_dxf.zip](#)

English

Customer View Model

[ENG\\_CVM\\_CVM\\_5103311-3\\_B.3d\\_igs.zip](#)

English

Customer View Model

[ENG\\_CVM\\_CVM\\_5103311-3\\_B.3d\\_stp.zip](#)

English

By downloading the CAD file I accept and agree to the [Terms and Conditions](#) of use.

### Datasheets & Catalog Pages

[AMPMODU\\_INTERCONNECTION\\_SYSTEM\\_SECTION5](#)

English

[Ribbon Cable Interconnect Solutions](#)

English

### Product Specifications

[Product Specification](#)

English

5103311-3

Wire-to-Board, 16 Position, 2.54 mm [.1 in] Centerline, Right Angle, Through Hole -  
Solder, 2 Row, Plug, Low Profile, Ribbon Cable Connectors

