

170454-1 ✓ ACTIVE

Positive Lock | Positive Lock 250

TE Internal #: 170454-1

Receptacle, 18 – 14 AWG Wire Size, .82 – 2.08 mm² Wire Size,
Mating Tab Width 6.35 mm [.25 in], Straight, Brass, Positive Lock
250, Quick Disconnects

[View on TE.com >](#)



Terminals & Splices > Quick Disconnects



Quick Disconnect Terminal Type: **Receptacle**

Wire Size: **.82 – 2.08 mm²**

Mating Tab Width: **6.35 mm [.25 in]**

Mating Tab Thickness: **.81 mm [.032 in]**

Features

Contact Features

Quick Disconnect Terminal Type	Receptacle
Mating Tab Width	6.35 mm [.25 in]
Mating Tab Thickness	.81 mm [.032 in]
Terminal Orientation	Straight
Contact Base Material	Brass
Terminal Plating Material	Unplated
Crimp Type	F-Crimp
Barrel Type	Open

Dimensions

Wire Size	.82 – 2.08 mm ²
Product Length	22.8 mm [.89 in]
Compatible Insulation Diameter Range	2.21 – 3.4 mm [.087 – .134 in]
Terminal Material Thickness	.41 mm [.016 in]

Packaging Features

Packaging Method	Reel
------------------	------



Packaging Quantity	3000
--------------------	------

Product Type Features

Insertion Force	Low
-----------------	-----

Usage Conditions

Insulation Option	Uninsulated
-------------------	-------------

Operating Temperature Range	-40 – 110 °C[-40 – 230 °F]
-----------------------------	----------------------------

Other

EU RoHS Compliance	Compliant
--------------------	-----------

EU ELV Compliance	Compliant
-------------------	-----------

Configuration Features

Compatible With Wire & Cable Type	Discrete Wire
-----------------------------------	---------------

Connection Capacity	Single
---------------------	--------

Termination Features

Product Terminates To	Wire & Cable
-----------------------	--------------

Mechanical Attachment

Wire Insulation Support	With
-------------------------	------

Mating Retention Type	Dimple
-----------------------	--------

Extraction Force	.5 – 3 kgf
------------------	------------

Industry Standards

Compatible With Agency/Standards Products	UL
---	----

Product Compliance

[For compliance documentation, visit the product page on TE.com>](#)

EU RoHS Directive 2011/65/EU	Compliant
------------------------------	-----------

EU ELV Directive 2000/53/EC	Compliant
-----------------------------	-----------

China RoHS 2 Directive MIIT Order No 32, 2016	No Restricted Materials Above Threshold
---	---

EU REACH Regulation (EC) No. 1907/2006	Current ECHA Candidate List: JUNE 2024 (241) Candidate List Declared Against: JUNE 2024 (241) Does not contain REACH SVHC
--	---

Halogen Content	Low Halogen - Br, Cl, F, I < 900 ppm per homogenous material. Also BFR/CFR/PVC Free
-----------------	---

Solder Process Capability

Not applicable for solder process capability

Product Compliance Disclaimer

This information is provided based on reasonable inquiry of our suppliers and represents our current actual knowledge based on the information they provided. This information is subject to change. The part numbers that TE has identified as EU RoHS compliant have a maximum concentration of 0.1% by weight in homogenous materials for lead, hexavalent chromium, mercury, PBB, PBDE, DBP, BBP, DEHP, DIBP, and 0.01% for cadmium, or qualify for an exemption to these limits as defined in the Annexes of Directive 2011/65/EU (RoHS2). Finished electrical and electronic equipment products will be CE marked as required by Directive 2011/65/EU. Components may not be CE marked. Additionally, the part numbers that TE has identified as EU ELV compliant have a maximum concentration of 0.1% by weight in homogenous materials for lead, hexavalent chromium, and mercury, and 0.01% for cadmium, or qualify for an exemption to these limits as defined in the Annexes of Directive 2000/53/EC (ELV). Regarding the REACH Regulation, the information TE provides on SVHC in articles for this part number is based on the latest European Chemicals Agency (ECHA) 'Guidance on requirements for substances in articles' posted at this URL: <https://echa.europa.eu/guidance-documents/guidance-on-reach>

Compatible Parts



TE Part # 172320-1
POSITIVE LOCK 250 (6.3 MM)
HOUSING



TE Part # 172863-2
POSITIVE LOCK (PL) .250 (6.3 MM)



TE Part # 172434-2
POSITIVE LOCK 250 (6.3 MM)
HOUSING



TE Part # 172320-2
POSITIVE LOCK 250 (6.3 MM)
HOUSING



TE Part # 174090-2
PL .250 (6.3 MM) HOUSING



TE Part # 724659-2
EXT TOOL FOR POSITIVE .250



TE Part # 172864-2
250 HSG. REC. 6mm 2P BLACK



TE Part # 174090-1
1P POSITIVE LOCK HSG



TE Part # 172320-4
POSITIVE LOCK 1P GREEN



TE Part # 172433-2
250 AUTOMOTIVE POSITIVE LOCK 2P



TE Part # 172434-1
POSITIVE LOCK 250 (6.3 MM)
HOUSING



TE Part # 9-172320-2
POSIT LOCK HSG 1P BLACK VO94



TE Part # 2150378-1
OCEAN_2.0_Applicator-E-110F170F-REM



TE Part # 2150378-2
OCEAN_2.0_Applicator-E-110F170F-REA

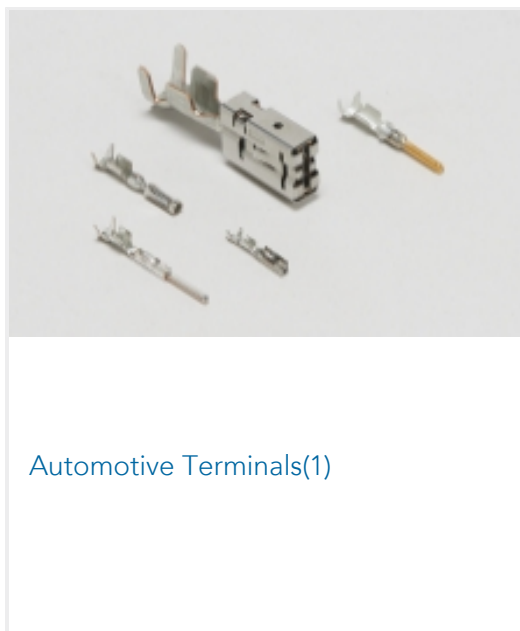


TE Part # 7-2150378-7
OCEAN_2.0_SPARE_PART_KIT-110F170F

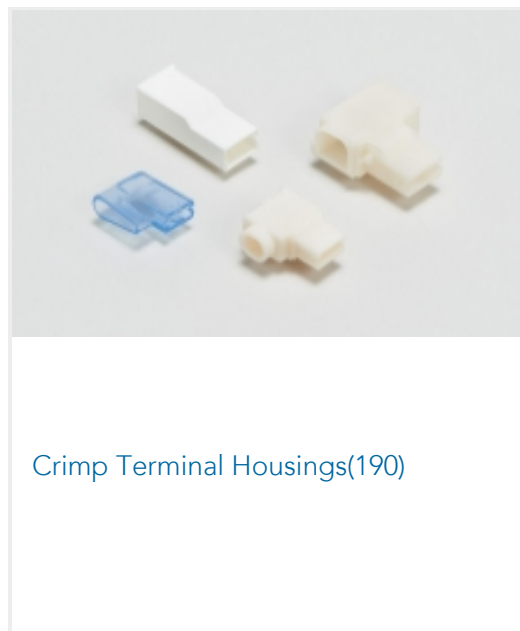


TE Part # 2219341-1
250 TAB CONT FOR GLASS ANT

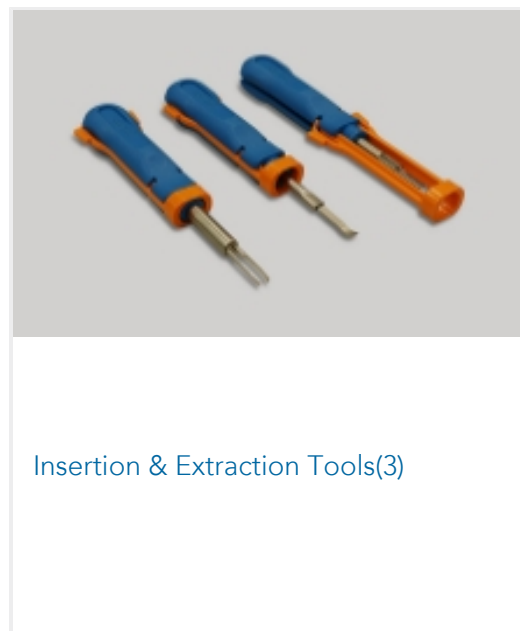
Also in the Series | Positive Lock 250



Automotive Terminals(1)



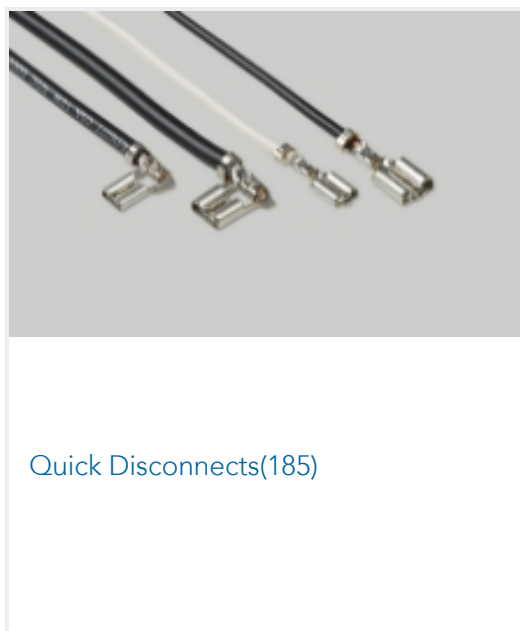
Crimp Terminal Housings(190)



Insertion & Extraction Tools(3)

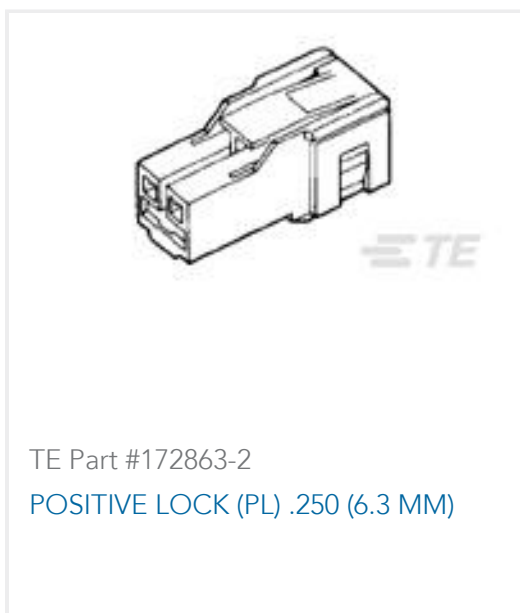


Insulation Boots & Sleeves(4)



Quick Disconnects(185)

Customers Also Bought



TE Part #172863-2
POSITIVE LOCK (PL) .250 (6.3 MM)



TE Part #1674925-1
0.64 III/1.0 III 34POS PLUG ASSY



TE Part #1376235-1
MQS SOCKET HSG 3P ASSY



TE Part #1565963-1
040III TAB NON SEALED TIN



TE Part #178448-2
EJ-2 DBL LOCK PLUG 2P ASSY B



TE Part #1674311-8
0.64 III RCPT NON SEALED Au



TE Part #2174106-1
PLUG HOUSING ASSEMBLY 50POS 0.5 /1.0



TE Part #2174114-1
WIRE COVER ASSEMBLY 50POS 0.5/1.0 SEALED



Documents

Product Drawings

[PL 250 AUTOMOTIVE REC 18-14 0.40 X 21 BR](#)

English

CAD Files

[3D PDF](#)

3D

Customer View Model

[ENG_CVM_CVM_170454-1_T.2d_dxf.zip](#)

English

Customer View Model

[ENG_CVM_CVM_170454-1_T.3d_igs.zip](#)

English

Customer View Model

[ENG_CVM_CVM_170454-1_T.3d_stp.zip](#)

English

By downloading the CAD file I accept and agree to the [Terms and Conditions](#) of use.

Product Specifications

[Crimping of 250 Series, Automotive Positive Lock Receptacle Contact](#)

English

[Application Specification](#)

English

Instruction Sheets

[Instruction Sheet \(non U.S.\)](#)

English

[Instruction Sheet \(non U.S.\)](#)

Japanese