

140523 ✓ ACTIVE

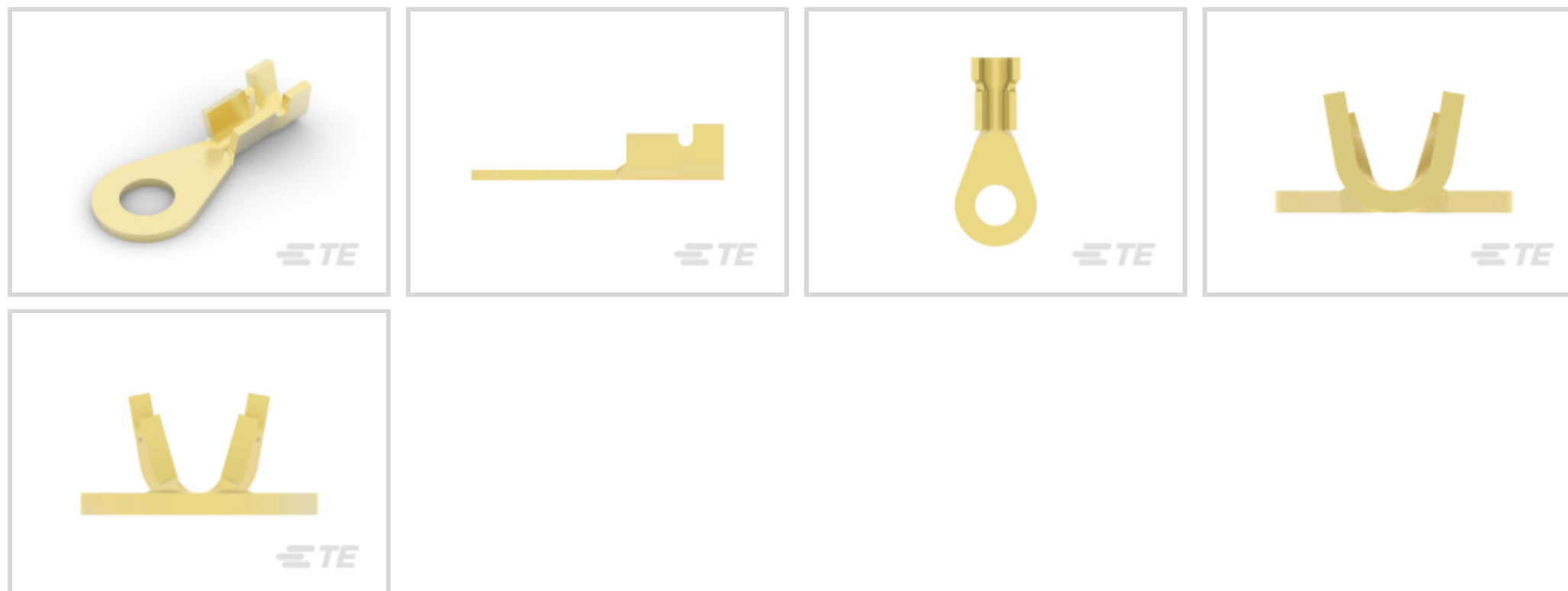
TE Internal #: 140523

Closed Ring Tongue Terminal, 20 – 16 AWG, #8 / M4 Stud Size,
4.34 mm [.171 in] Stud Diameter, Open Barrel, Straight, Unplated,
Uninsulated

[View on TE.com >](#)



Terminals & Splices > Ring Terminals



Ring Terminal Product Type: **Closed Ring Tongue Terminal**

Wire Size: **1022 – 2583 CMA**

Stud Size: **#8, M4**

Features

Dimensions

	.098 in
Wire Size	1022 – 2583 CMA
Stud Diameter	4.34 mm [.171 in]
Tongue Thickness	.76 mm [.03 in]
Product Length	19.81 mm [.78 in]
Barrel Inside Diameter	1.65 mm, 2.79 mm [.11 in] [.065 in]
Compatible Insulation Diameter (Max)	3.61 mm [.142 in]
Compatible Insulation Diameter Range	2.5 – 3.6 mm [.098 – .142 in]

Product Type Features

Ring Terminal Product Type	Closed Ring Tongue Terminal
Stud Size	#8, M4
Sealable	No
Compatible With Discrete Wire Type	Stranded
Wire Insulation Support Retention Type	Insulation Support
Shape Description	Circular/Oval

Contact Features



Barrel Type	Open
Terminal Orientation	Straight
Terminal Plating Material	Unplated
Contact Underplating Material	None
Contact Base Material	Brass

Usage Conditions

Insulation Option	Uninsulated
Operating Temperature Range	-40 – 110 °C[-40 – 230 °F]

Operation/Application

Compatible With Wire Base Material	Copper
------------------------------------	--------

Packaging Features

Packaging Method	Strip/Reel
Packaging Quantity	5000

Other

EU RoHS Compliance	Compliant
EU ELV Compliance	Compliant

Configuration Features

Number of Holes	2
-----------------	---

Body Features

Product Weight	.67 g
----------------	-------

Mechanical Attachment

Wire Insulation Support	With
-------------------------	------

Industry Standards

Government Qualified Terminal	No
-------------------------------	----

Product Compliance

[For compliance documentation, visit the product page on TE.com>](#)

EU RoHS Directive 2011/65/EU	Compliant
EU ELV Directive 2000/53/EC	Compliant
China RoHS 2 Directive MIIT Order No 32, 2016	No Restricted Materials Above Threshold
EU REACH Regulation (EC) No. 1907/2006	Current ECHA Candidate List: JUNE 2024 (241)



Candidate List Declared Against: JUNE 2024 (241)

Does not contain REACH SVHC

Halogen Content

Low Halogen - Br, Cl, F, I < 900 ppm per homogenous material. Also BFR/CFR/PVC Free

Solder Process Capability

Not applicable for solder process capability

Product Compliance Disclaimer

This information is provided based on reasonable inquiry of our suppliers and represents our current actual knowledge based on the information they provided. This information is subject to change. The part numbers that TE has identified as EU RoHS compliant have a maximum concentration of 0.1% by weight in homogenous materials for lead, hexavalent chromium, mercury, PBB, PBDE, DBP, BBP, DEHP, DIBP, and 0.01% for cadmium, or qualify for an exemption to these limits as defined in the Annexes of Directive 2011/65/EU (RoHS2). Finished electrical and electronic equipment products will be CE marked as required by Directive 2011/65/EU. Components may not be CE marked. Additionally, the part numbers that TE has identified as EU ELV compliant have a maximum concentration of 0.1% by weight in homogenous materials for lead, hexavalent chromium, and mercury, and 0.01% for cadmium, or qualify for an exemption to these limits as defined in the Annexes of Directive 2000/53/EC (ELV). Regarding the REACH Regulation, the information TE provides on SVHC in articles for this part number is based on the latest European Chemicals Agency (ECHA) 'Guidance on requirements for substances in articles' posted at this URL: <https://echa.europa.eu/guidance-documents/guidance-on-reach>

Compatible Parts



TE Part # 2150470-1
 OCEAN_2.0_Applicator-E-130F180F-REM



TE Part # 2150470-2
 OCEAN_2.0_Applicator-E-130F180F-REA




TE Part # 7-2150470-7
 OCEAN_2.0_SPARE_PART_KIT-130F180F


Customers Also Bought



TE Part #177914-1
 AMP POWER DBL LOCK REC (S)



TE Part #1-1703062-2
 CAP, 2 CIRCUIT, UNIVERSAL MATE-N-LOCK



TE Part #3-1534796-4
 AMP DUOPLUG MK2 CONNECTOR 4P S



TE Part #61513-1
 058 PC PIN REC 26-22 010GP



TE Part #2119784-9
CRIMPER, INSUL O PREMIUM



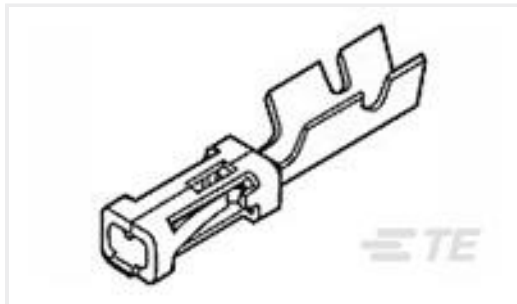
TE Part #2151741-1
OCEAN_2.0_Applicator-S-120F190F-RSM



TE Part #2178661-2
MULTIFIT MK2 ASSY2P



TE Part #7-2151741-7
OCEAN_2.0_SPARE_PART_KIT-120F190F



TE Part #85967-6
MOD IV RECP PLTD 15 SEL

Documents

Product Drawings

[RT .171 DIA TERMINAL 20-16 AWG BR](#)

CAD Files

Customer View Model

[ENG_CVM_CVM_140523_H.2d_dxf.zip](#)

English

3D PDF

3D

Customer View Model

[ENG_CVM_CVM_140523_H.3d_igs.zip](#)

English

Customer View Model

[ENG_CVM_CVM_140523_H.3d_stp.zip](#)

English

By downloading the CAD file I accept and agree to the [Terms and Conditions](#) of use.

Product Specifications

[Product Specification](#)

English

[Product Specification](#)

English

Agency Approvals

[Agency Approval Document](#)

English