

165085-1 ✓ ACTIVE

PLASTI-GRIP

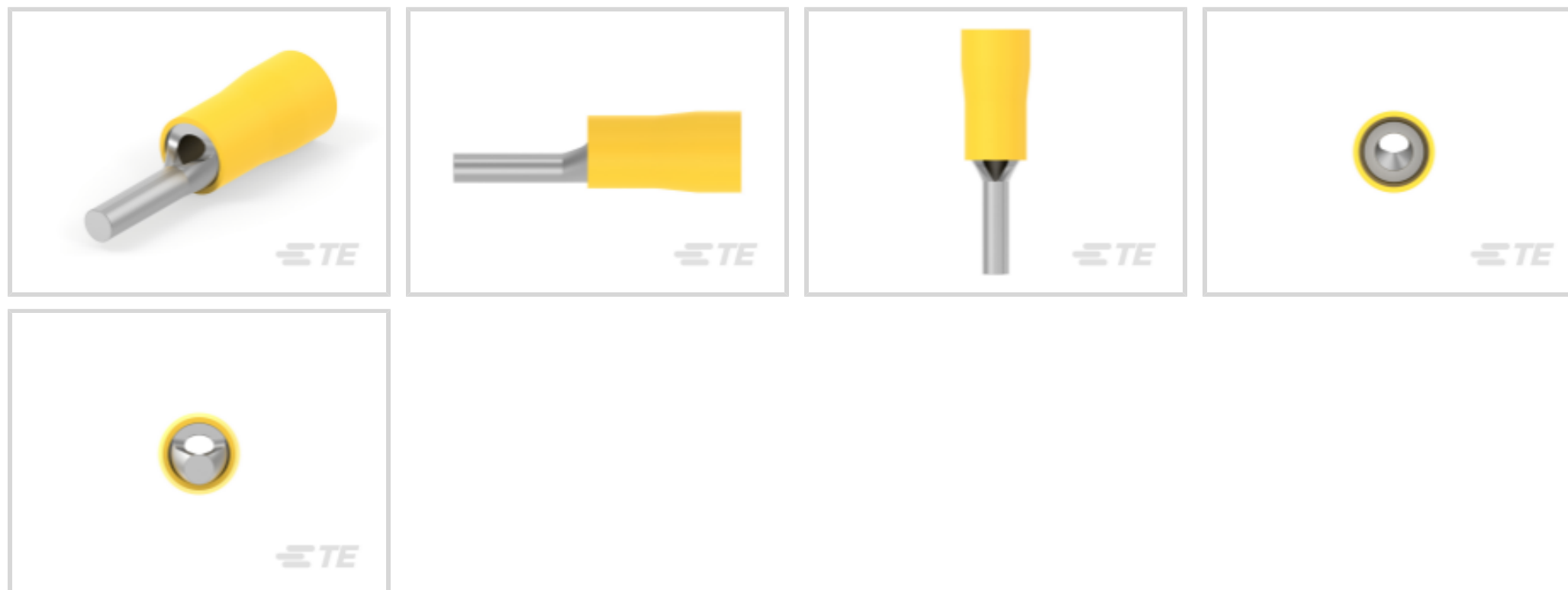
TE Internal #: 165085-1

Wire Pin, 12 – 10 AWG Wire Size, 2.62 – 6.64 mm<sup>2</sup> Wire Size, 5180 – 13100 CMA Wire Size, Closed, PLASTI-GRIP, Crimp Wire Pins, Tabs & Ferrules

[View on TE.com >](#)



Terminals & Splices > Crimp Wire Pins, Tabs & Ferrules



Crimp Wire Terminal Type: **Wire Pin**

Compatible Insulation Diameter Range: **3.81 – 6.35 mm, 6.4 mm [ .251 in, .15 – .25 in ]**

Wire Size: **5180 – 13100 CMA**

**Features**

**Contact Features**

Crimp Wire Terminal Type	Wire Pin
Barrel Type	Closed
Terminal Plating Material	Tin
Contact Shape & Form	Round
Terminal Orientation	Straight
Contact Mating Area Length	9.9 mm[.39 in]
Contact Fabrication	Stamped & Formed

**Dimensions**

Compatible Insulation Diameter Range	3.81 – 6.35 mm, 6.4 mm[.251 in][.15 – .25 in]
Wire Size	5180 – 13100 CMA
Terminal Material Thickness	.99 mm[.039 in]
Overall Product Length	29.4 mm[1.158 in]

**Packaging Features**

Packaging Method	Loose Piece
Packaging Quantity	500



### Configuration Features

Compatible With Wire & Cable Type	Discrete Wire
-----------------------------------	---------------

### Product Type Features

Compatible With Discrete Wire Type	Stranded
Wire Insulation Support Retention Type	Insulation Support
Sealable	No

### Usage Conditions

Insulation Option	Partially Insulated
Operating Temperature Range	0 – 105 °C[32 – 221 °F]

### Mechanical Attachment

Wire Insulation Support	With
-------------------------	------

### Other

EU RoHS Compliance	Compliant
EU ELV Compliance	Compliant

### Body Features

Sleeve Material	PVC
Primary Product Color	Yellow
Insulation Material	PVC

### Product Compliance

[For compliance documentation, visit the product page on TE.com>](#)

EU RoHS Directive 2011/65/EU	Compliant
EU ELV Directive 2000/53/EC	Compliant
China RoHS 2 Directive MIIT Order No 32, 2016	No Restricted Materials Above Threshold
EU REACH Regulation (EC) No. 1907/2006	Current ECHA Candidate List: JUNE 2024 (241) Candidate List Declared Against: JUNE 2024 (241) Does not contain REACH SVHC
Halogen Content	Not Low Halogen - contains Br or Cl > 900 ppm.
Solder Process Capability	Not reviewed for solder process capability

Product Compliance Disclaimer

This information is provided based on reasonable inquiry of our suppliers and represents our current actual knowledge based on the information they provided. This information is subject to change. The part numbers that TE has identified as EU RoHS compliant have a maximum concentration of 0.1% by weight in homogenous materials for lead, hexavalent chromium, mercury, PBB, PBDE, DBP, BBP, DEHP, DIBP, and 0.01% for cadmium, or qualify for an exemption to these limits as defined in the Annexes of Directive 2011/65/EU (RoHS2). Finished electrical and electronic equipment products will be CE marked as required by Directive 2011/65/EU. Components may not be CE marked. Additionally, the part numbers that TE has identified as EU ELV compliant have a maximum concentration of 0.1% by weight in homogenous materials for lead, hexavalent chromium, and mercury, and 0.01% for cadmium, or qualify for an exemption to these limits as defined in the Annexes of Directive 2000/53/EC (ELV). Regarding the REACH Regulation, the information TE provides on SVHC in articles for this part number is based on the latest European Chemicals Agency (ECHA) 'Guidance on requirements for substances in articles' posted at this URL: <https://echa.europa.eu/guidance-documents/guidance-on-reach>

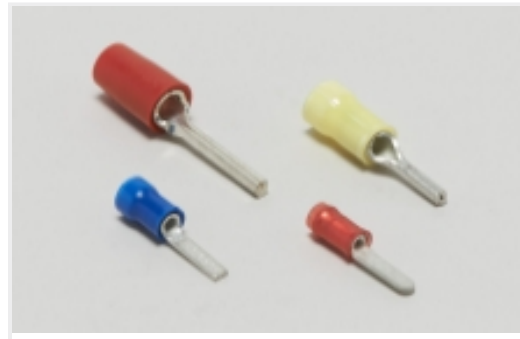
## Compatible Parts



Also in the Series | **PLASTI-GRIP**



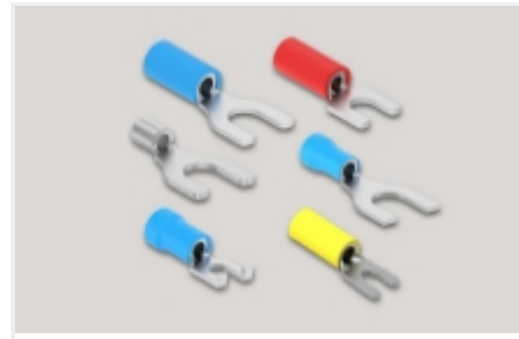
Compression Connectors(3)



Crimp Wire Pins, Tabs & Ferrules(18)



Ring Terminals(297)



Spade Terminals(157)

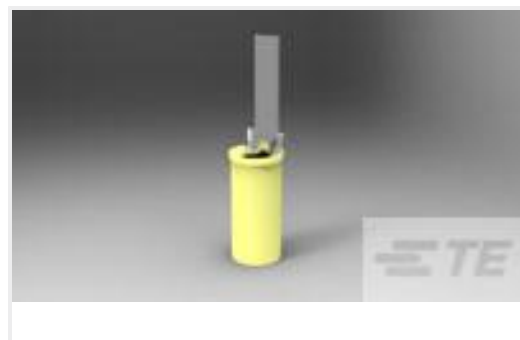


Splices(44)

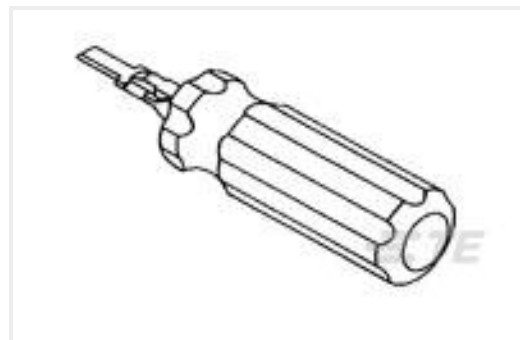
### Customers Also Bought



TE Part #320882  
PIDG Ring Tongue Terminals



TE Part #324543  
TAB, PIDG 12-10



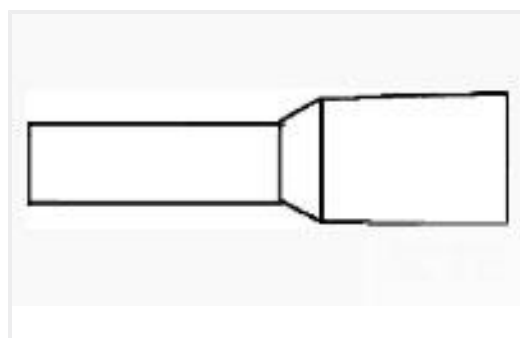
TE Part #1804030-1  
EXTRACTION TOOL ASSY



TE Part #5650868-5  
ASSY, RECEPTACLE, EUROCARD, TYPE R/2, LEAD-F



TE Part #131445  
PG, WIRE TAB, 12-10



TE Part #1-966066-5  
FER, WIRE, PL SLV, 6.00/10, L12, BLACK, LP



TE Part #9-1393030-3  
SSRK-240D20 = DIN Rail MOUNT, 20A, 240V AC



TE Part #181948-2  
250 FASTON, TAB, TPBR



TE Part #C67976-000  
B-155-9001

### Documents



### Product Drawings

#### PG WIRE PIN YELLOW

English

---

### CAD Files

#### 3D PDF

3D

#### Customer View Model

[ENG\\_CVM\\_CVM\\_165085-1\\_M.2d\\_dxf.zip](#)

English

#### Customer View Model

[ENG\\_CVM\\_CVM\\_165085-1\\_M.3d\\_igs.zip](#)

English

#### Customer View Model

[ENG\\_CVM\\_CVM\\_165085-1\\_M.3d\\_stp.zip](#)

English

By downloading the CAD file I accept and agree to the [Terms and Conditions](#) of use.

---

### Datasheets & Catalog Pages

#### PLASTI GRIP\_QRG

English

---

### Product Specifications

#### Application Specification

English