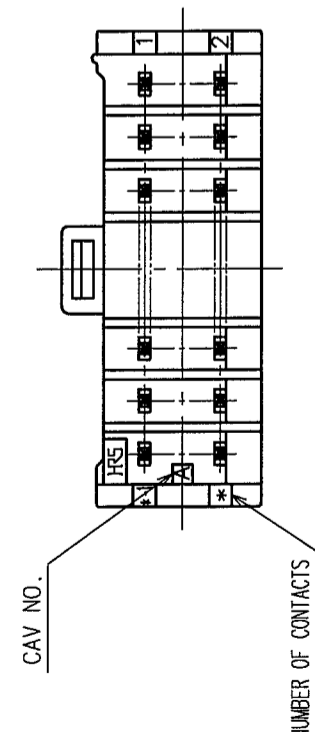
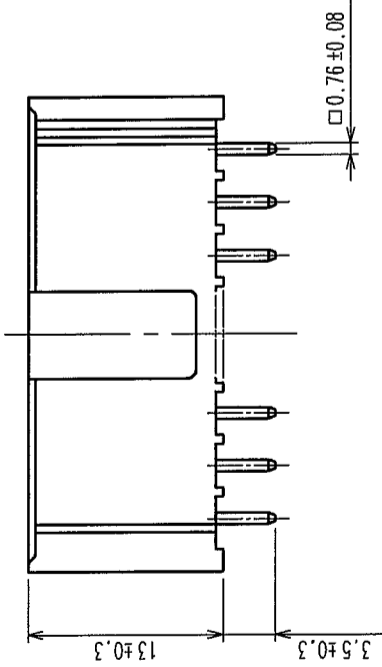
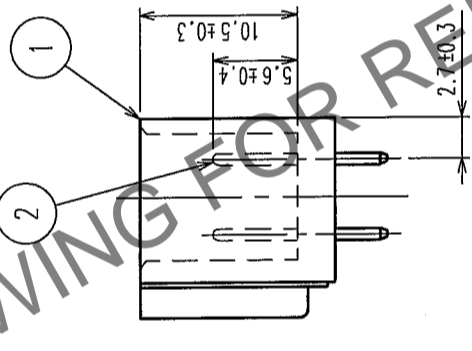
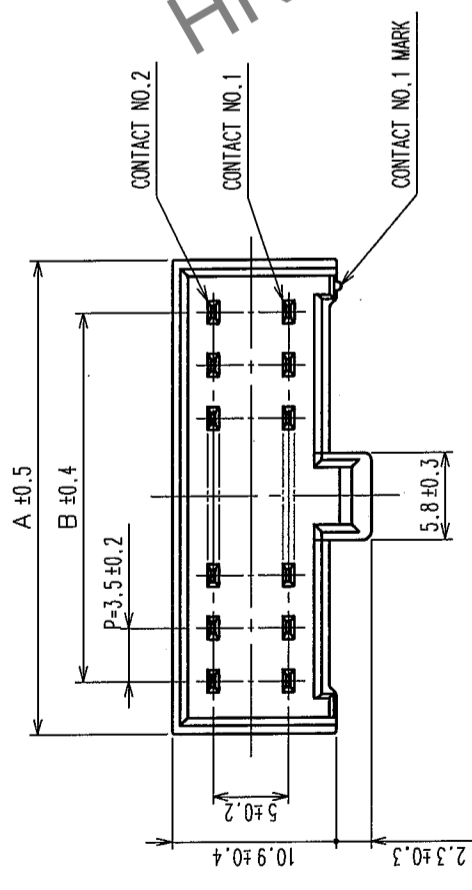


In case of consideration for using Automotive equipment / device which demand high reliability, kindly contact our sales window correspondents.

COUNT	DESCRIPTION OF REVISIONS	BY	CHKD	DATE	COUNT	DESCRIPTION OF REVISIONS	BY	CHKD	DATE
△					△				
△					△				
△					△				



NOTE 1 : RECOMMENDED PC BOARD HOLE DIAMETER  $\phi 1.3 \pm 0.1$

CODE NO.	PART NO.	NUMBER OF CONTACTS	A	B
CL547-0083-2-06	MDF6-4DP-3.5DSA(06)	4	10.5	3.5
CL547-0084-5-06	MDF6-6DP-3.5DSA(06)	6	14.0	7.0
CL547-0085-8-06	MDF6-8DP-3.5DSA(06)	8	17.5	10.5
CL547-0086-0-06	MDF6-10DP-3.5DSA(06)	10	21.0	14.0
CL547-0087-3-06	MDF6-12DP-3.5DSA(06)	12	24.5	17.5
CL547-0088-6-06	MDF6-14DP-3.5DSA(06)	14	28.0	21.0
CL547-0089-9-06	MDF6-16DP-3.5DSA(06)	16	31.5	24.5
CL547-0090-8-06	MDF6-18DP-3.5DSA(06)	18	35.0	28.0
CL547-0091-0-06	MDF6-20DP-3.5DSA(06)	20	38.5	31.5

1		2		3		4		5		6		7		8			
NO.	MATERIAL	FINISH, REMARKS	NO.	MATERIAL	FINISH, REMARKS	NO.	MATERIAL	FINISH, REMARKS	NO.	MATERIAL	FINISH, REMARKS	NO.	MATERIAL	FINISH, REMARKS	NO.	MATERIAL	FINISH, REMARKS
1	POLYAMIDE	WHITE, UL94V-0	2	BRASS													
CODE NO. (OLD)		DRAWN		DESIGNED		CHECKED		APPROVED		RELEASED		CONTACT AREA: GOLD PLATED 0.2 $\mu$ m min		LEAD AREA: TIN-COPPER PLATED 1 $\mu$ m min		UNDER PLATING: NICKEL 1 $\mu$ m min	
CL		M. Nakamoto '04.04.16		H. Umehara 04-04-16		J. Ota 04-04-16		J. Ota 04-04-16									
SCALE		DRAWING NO.		PART NO.		CODE NO.		FINISH, REMARKS									
10:1		EDC3-160046-11		MDF6-*DP-3.5DSA(06)													
UNITS		HIRSE ELECTRIC CO., LTD		CL547-													
mm																	

TO