

327637 ✓ ACTIVE



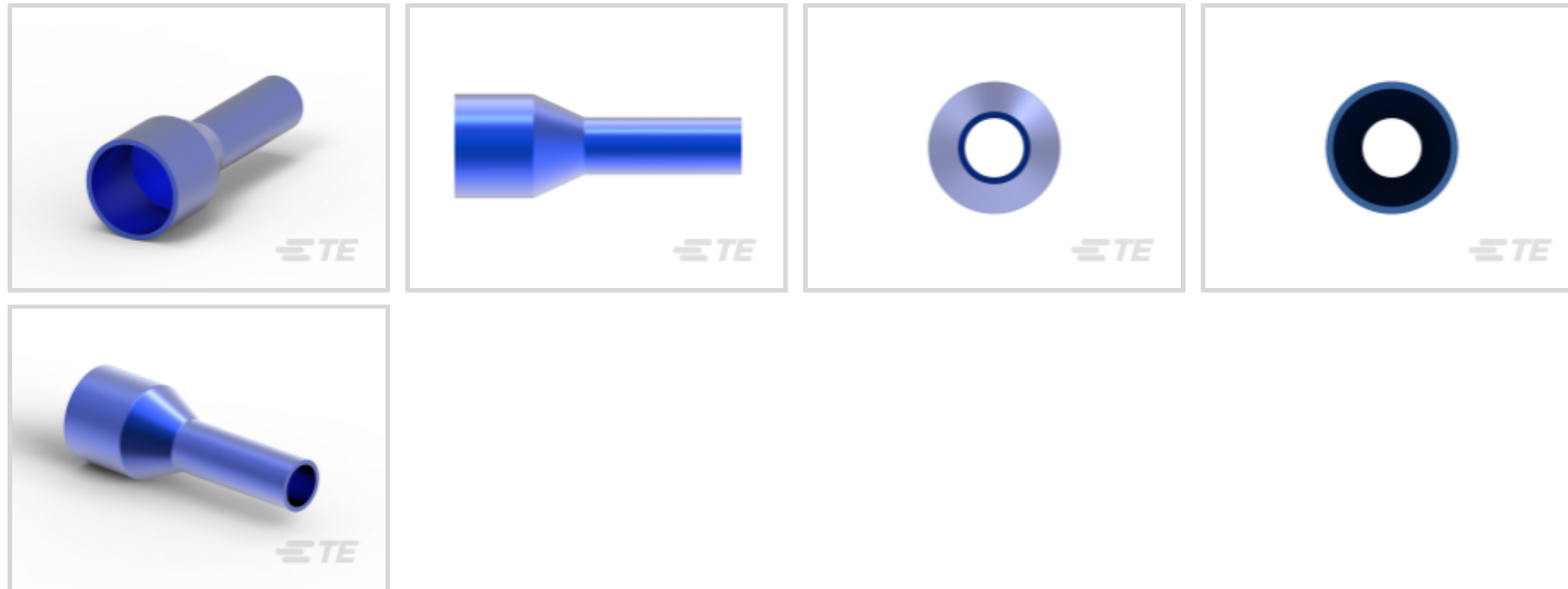
PIDG

TE Internal #: 327637

Splice Accessory, 16 – 14 AWG Wire Size, 1.25 – 2 mm² Wire Size, 2.13 mm [.084 in] Barrel Inside Diameter, Copper, Blue, PIDG, Splices

[View on TE.com >](#)

Terminals & Splices > Splices > PIDG Stepdown Butt Splices



Splice Type: **Splice Accessory**

Wire Size: 1.25 – 2 mm²

Sealable: **No**

Barrel Inside Diameter: 2.13 mm [.084 in]

[All PIDG Stepdown Butt Splices \(6\)](#)

Features

Packaging Features

Packaging Quantity	500
Packaging Method	Loose Piece

Contact Features

Terminal Plating Material	Tin
Contact Base Material	Copper
Barrel Type	Closed

Dimensions

Recovered Inside Diameter	4.47 mm[.176 in]
Outside Diameter	5.46 mm[.215 in]
Wire Size	1.25 – 2 mm ²
Barrel Inside Diameter	2.13 mm[.084 in]
Terminal Material Thickness	.38 mm[.015 in]
Product Length	14.27 mm[.562 in]



Product Type Features

Splice Accessory Type	Step Down Adapter Insert
Splice Type	Splice Accessory
Sealable	No
Compatible With Discrete Wire Type	Solid, Stranded
Wire Insulation Support Retention Type	Non-Insulation Support

Configuration Features

Compatible With Wire & Cable Type	Discrete Wire
-----------------------------------	---------------

Body Features

Primary Product Color	Blue
-----------------------	------

Usage Conditions

Insulation Option	Fully Insulated
Operating Temperature Range	105 °C[221 °F]

Industry Standards

Government Qualified Splice	No
-----------------------------	----

Other

EU RoHS Compliance	Compliant
EU ELV Compliance	Compliant

Product Compliance

[For compliance documentation, visit the product page on TE.com>](#)

EU RoHS Directive 2011/65/EU	Compliant
EU ELV Directive 2000/53/EC	Compliant
China RoHS 2 Directive MIIT Order No 32, 2016	No Restricted Materials Above Threshold
EU REACH Regulation (EC) No. 1907/2006	Current ECHA Candidate List: JUNE 2024 (241) Candidate List Declared Against: JUNE 2024 (241) Does not contain REACH SVHC
Halogen Content	Low Halogen - Br, Cl, F, I < 900 ppm per homogenous material. Also BFR/CFR/PVC Free
Solder Process Capability	Not applicable for solder process capability

Product Compliance Disclaimer

This information is provided based on reasonable inquiry of our suppliers and represents our current actual knowledge based on the information they provided. This information is subject to change. The part numbers that TE has identified as EU RoHS compliant have a maximum concentration of 0.1% by weight in homogenous materials for lead, hexavalent chromium, mercury, PBB, PBDE, DBP, BBP, DEHP, DIBP, and 0.01% for cadmium, or qualify for an exemption to these limits as defined in the Annexes of Directive 2011/65/EU (RoHS2). Finished electrical and electronic equipment products will be CE marked as required by Directive 2011/65/EU. Components may not be CE marked. Additionally, the part numbers that TE has identified as EU ELV compliant have a maximum concentration of 0.1% by weight in homogenous materials for lead, hexavalent chromium, and mercury, and 0.01% for cadmium, or qualify for an exemption to these limits as defined in the Annexes of Directive 2000/53/EC (ELV). Regarding the REACH Regulation, the information TE provides on SVHC in articles for this part number is based on the latest European Chemicals Agency (ECHA) 'Guidance on requirements for substances in articles' posted at this URL: <https://echa.europa.eu/guidance-documents/guidance-on-reach>

Also in the Series | PIDG



Compression Connectors(17)



Crimp Wire Pins, Tabs & Ferrules(41)



Hand Crimping Tools(2)



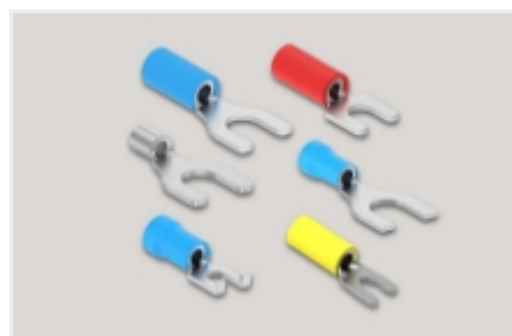
Knife Disconnects(11)



Quick Disconnects(32)



Ring Terminals(588)



Spade Terminals(228)

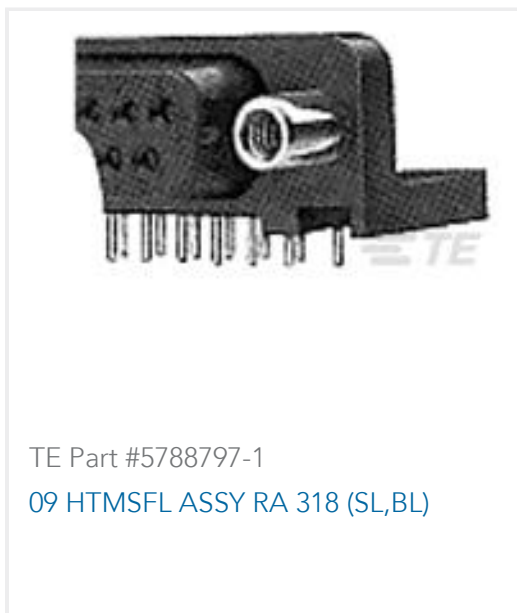


Special Purpose Terminals(1)



Splices(39)

Customers Also Bought



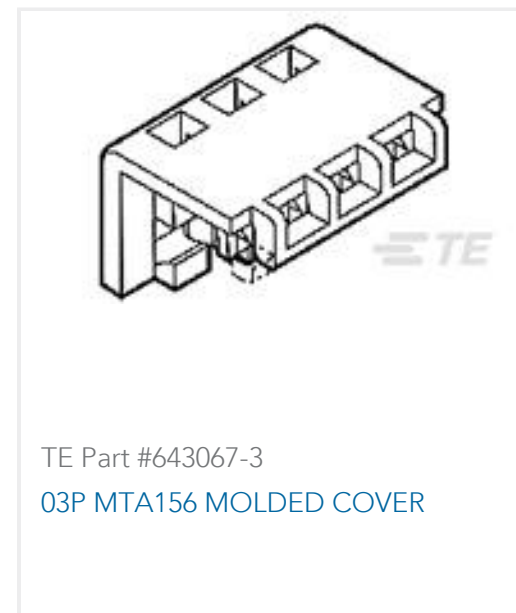
TE Part #5788797-1
09 HTMSFL ASSY RA 318 (SL,BL)



TE Part #1-6609032-3
10VR1=F7206 S0



TE Part #1-794068-0
16P MINI UMNL HDR W/DH SN



TE Part #643067-3
03P MTA156 MOLDED COVER



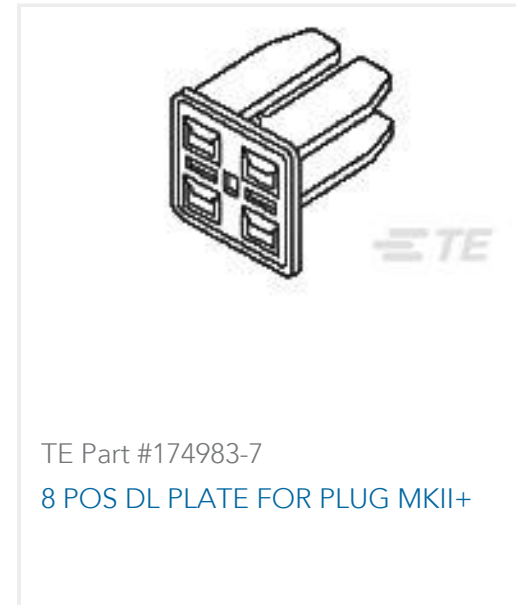
TE Part #T4110011081-000
M12 F, 8P GOLD A_CODE S
SHIELDED PG7



TE Part #CONREVSMA010
RP-SMA Jack to RP-SMA Plug RA



TE Part #320570
SPLICE BUTT PIDG 12-10



TE Part #174983-7
8 POS DL PLATE FOR PLUG MKII+



TE Part #60650-2
250 FASTON FLAG REC 18-14 AWG
TPBR

Documents

Product Drawings

[ADAPTER 12-10/16-14](#)

English

CAD Files

[3D PDF](#)

English

Customer View Model

[ENG_CVM_327637_J.3d_igs.zip](#)

English

Customer View Model

[ENG_CVM_327637_J.3d_stp.zip](#)

English

Customer View Model

[ENG_CVM_327637_J.2d_dxf.zip](#)

English

By downloading the CAD file I accept and agree to the [Terms and Conditions](#) of use.

Instruction Sheets



[Instruction Sheet \(U.S.\)](#)

English

[Agency Approvals](#)

[CSA Certificate](#)

English