

1-2201196-0 ✓ ACTIVE

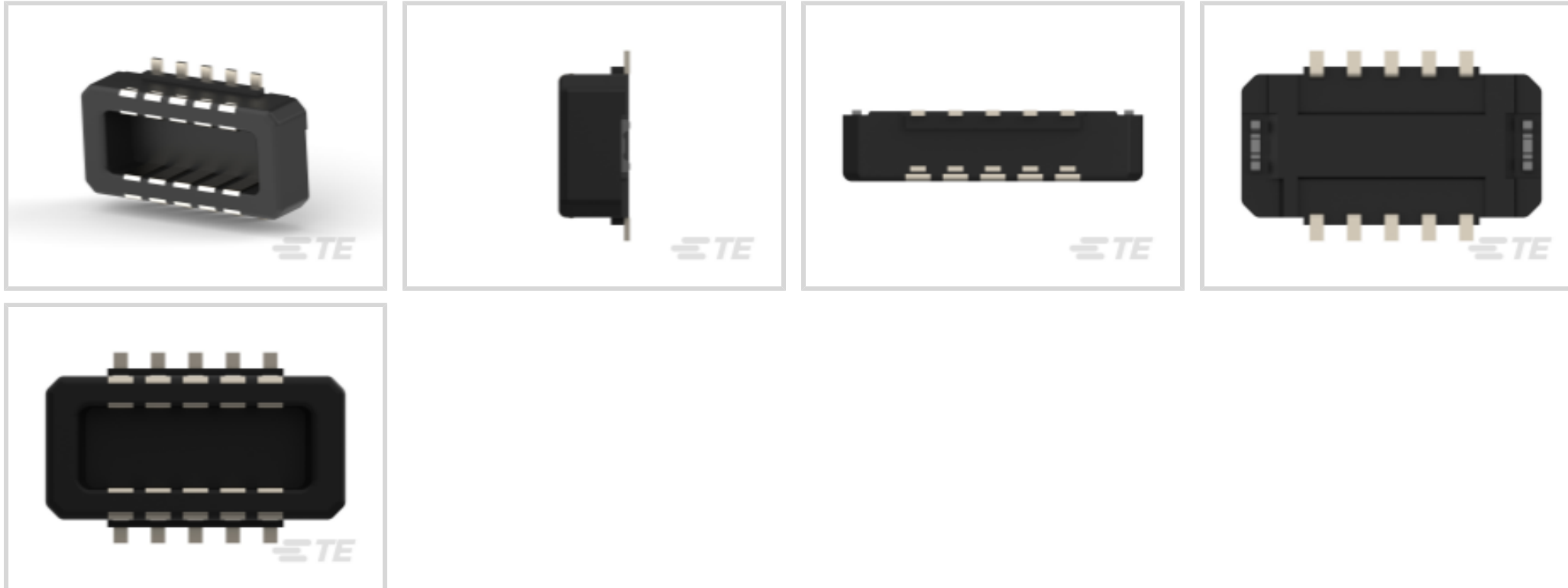
TE Internal #: 1-2201196-0

PCB Mount Header, Vertical, Board-to-Board, 10 Position, .4 mm [.015 in] Centerline, Gold, Surface Mount, Signal, Black, Tape & Reel

[View on TE.com >](#)



Connectors > PCB Connectors > PCB Headers & Receptacles



EU RoHS Compliance: **Compliant**

EU ELV Compliance: **Compliant**

PCB Connector Assembly Type: **PCB Mount Header**

PCB Mount Orientation: **Vertical**

Connector System: **Board-to-Board**

## Features

### Contact Features

	4 $\mu$ m
Mating Tab Width	.27 mm[.01 in]
PCB Contact Termination Area Plating Material Thickness	.05 $\mu$ m[1.968 $\mu$ m]
Contact Layout	Inline
Contact Base Material	Copper Alloy
Mating Tab Thickness	.06 mm[.002 in]
PCB Contact Termination Area Plating Material	Gold Flash
Contact Mating Area Plating Material	Gold
Contact Type	Pin
Contact Current Rating (Max)	.3 A

### Other

EU RoHS Compliance	Compliant
EU ELV Compliance	Compliant

### Product Type Features

PCB Connector Assembly Type	PCB Mount Header
-----------------------------	------------------



Connector System	Board-to-Board
Sealable	No
Connector & Contact Terminates To	Printed Circuit Board

### Configuration Features

Board-to-Board Configuration	Parallel
Stackable	Yes
PCB Mount Orientation	Vertical
Number of Positions	10
Number of Rows	2

### Electrical Characteristics

Operating Voltage	30 VAC
Insulation Resistance	2 MΩ
Dielectric Withstanding Voltage (Max)	250 VAC

### Body Features

Connector Profile	Low
Primary Product Color	Black

### Termination Features

Rectangular Termination Post & Tail Width	.15 mm[.005 in]
Rectangular Termination Post & Tail Thickness	.06 mm[.002 in]
Termination Method to PCB	Surface Mount

### Mechanical Attachment

Mating Alignment Type	Polarized
PCB Mount Alignment Type	None
PCB Mount Retention	Without
PCB Mount Alignment	Without
Connector Mounting Type	Board Mount
Mating Alignment	With

### Housing Features

Mating Entry Location	Top
Housing Material	LCP (Liquid Crystal Polymer)
Centerline (Pitch)	.4 mm[.015 in]

### Dimensions



Row-to-Row Spacing	.82 mm
Stack Height	.98 mm[.038 in]
Connector Height	.76 mm[.029 in]

**Usage Conditions**

Operating Temperature Range	-40 – 85 °C[-40 – 185 °F]
-----------------------------	---------------------------

**Operation/Application**

Assembly Process Feature	Vacuum Cover
Circuit Application	Signal

**Industry Standards**

UL Flammability Rating	UL 94V-0
------------------------	----------

**Packaging Features**

Packaging Quantity	5000
Packaging Method	Tape & Reel

**Product Compliance**

[For compliance documentation, visit the product page on TE.com>](#)

EU RoHS Directive 2011/65/EU	Compliant
EU ELV Directive 2000/53/EC	Compliant
China RoHS 2 Directive MIIT Order No 32, 2016	No Restricted Materials Above Threshold
EU REACH Regulation (EC) No. 1907/2006	Current ECHA Candidate List: JUNE 2024 (241) Candidate List Declared Against: JUNE 2024 (241) Does not contain REACH SVHC
Halogen Content	Low Halogen - Br, Cl, F, I < 900 ppm per homogenous material. Also BFR/CFR/PVC Free
Solder Process Capability	Reflow solder capable to 260°C

Product Compliance Disclaimer

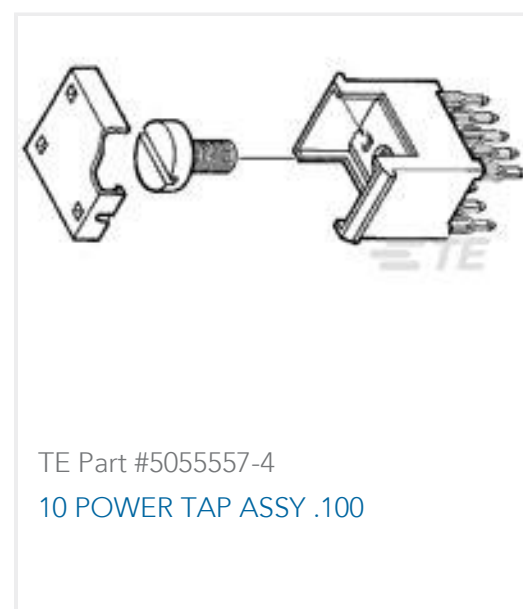
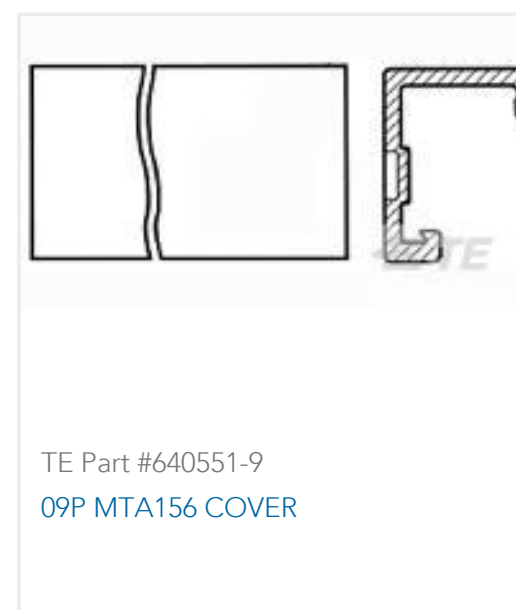
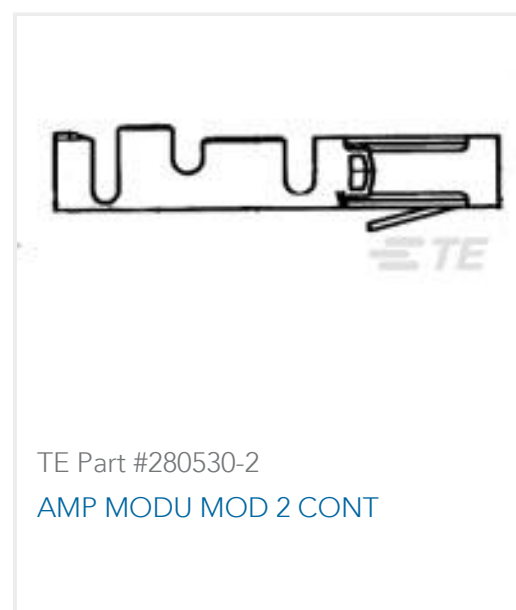
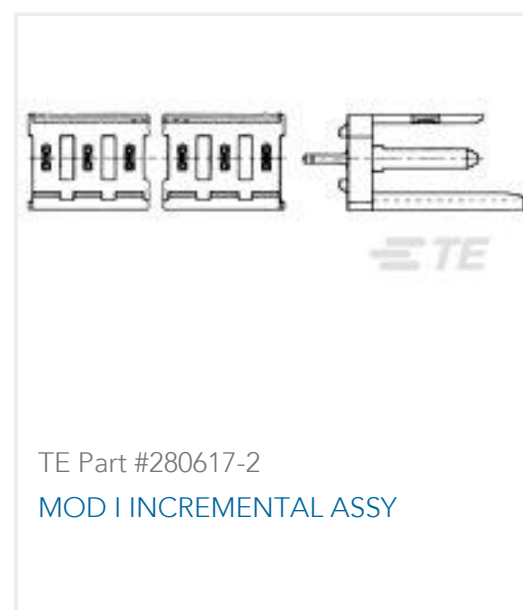
This information is provided based on reasonable inquiry of our suppliers and represents our current actual knowledge based on the information they provided. This information is subject to change. The part numbers that TE has identified as EU RoHS compliant have a maximum concentration of 0.1% by weight in homogenous materials for lead, hexavalent chromium, mercury, PBB, PBDE, DBP, BBP, DEHP, DIBP, and 0.01% for cadmium, or qualify for an exemption to these limits as defined in the Annexes of Directive 2011/65/EU (RoHS2). Finished electrical and electronic equipment products will be CE marked as required by Directive 2011/65/EU. Components may not be CE marked. Additionally, the part numbers that TE has identified as EU ELV compliant have a maximum concentration of 0.1% by weight in homogenous materials for lead, hexavalent chromium, and mercury, and 0.01% for cadmium, or qualify for an exemption to these limits as defined in the Annexes of Directive 2000/53/EC (ELV). Regarding the REACH Regulation, the information TE provides on SVHC in articles for this part number is based on the latest European Chemicals Agency (ECHA) 'Guidance on

requirements for substances in articles' posted at this URL: <https://echa.europa.eu/guidance-documents/guidance-on-reach>

## Compatible Parts



## Customers Also Bought



## Documents

### Product Drawings

0.4 STACKING CONN H0.98 PLUG ASSEMBLY

English



### CAD Files

#### 3D PDF

3D

#### Customer View Model

[ENG\\_CVM\\_CVM\\_1-2201196-0\\_F.2d\\_dxf.zip](#)

English

#### Customer View Model

[ENG\\_CVM\\_CVM\\_1-2201196-0\\_F.3d\\_igs.zip](#)

English

#### Customer View Model

[ENG\\_CVM\\_CVM\\_1-2201196-0\\_F.3d\\_stp.zip](#)

English

By downloading the CAD file I accept and agree to the [Terms and Conditions](#) of use.

### Product Specifications

#### Product Specification

Japanese

### Instruction Sheets

#### Instruction Sheet (non U.S.)

Japanese