



Connectors > Connector Accessories > Connector Backshells > Circular DIN Backshells



Connector Backshell Product Type: **Backshell**

Primary Product Material: **PA6**

Sealable: **No**

Operating Temperature Range: **-40 – 120 °C [-40 – 248 °F]**

EU RoHS Compliance: **Compliant**

[All Circular DIN Backshells \(16\)](#)

Features

Product Type Features

Connector Backshell Product Type	Backshell
Sealable	No

Body Features

Primary Product Material	PA6
Cable Exit Angle	90°
Primary Product Color	Black

Usage Conditions

Operating Temperature Range	-40 – 120 °C[-40 – 248 °F]
-----------------------------	----------------------------

Other

EU RoHS Compliance	Compliant
EU ELV Compliance	Compliant
Serviceable	Yes

Mechanical Attachment

Strain Relief	Without
---------------	---------

Dimensions

Compatible Cable Diameter Range	13.4 mm[.528 in]
---------------------------------	------------------

Industry Standards

UL Flammability Rating	UL 94HB
------------------------	---------

Packaging Features

Packaging Method	Carton
Packaging Quantity	700

Product Compliance

[For compliance documentation, visit the product page on TE.com>](#)

EU RoHS Directive 2011/65/EU	Compliant
EU ELV Directive 2000/53/EC	Compliant
China RoHS 2 Directive MIIT Order No 32, 2016	No Restricted Materials Above Threshold
EU REACH Regulation (EC) No. 1907/2006	Current ECHA Candidate List: JUNE 2024 (241) Candidate List Declared Against: JUNE 2024 (241) Does not contain REACH SVHC
Halogen Content	BFR/CFR/PVC Free, but Br/Cl >900 ppm in other sources.
Solder Process Capability	Not applicable for solder process capability

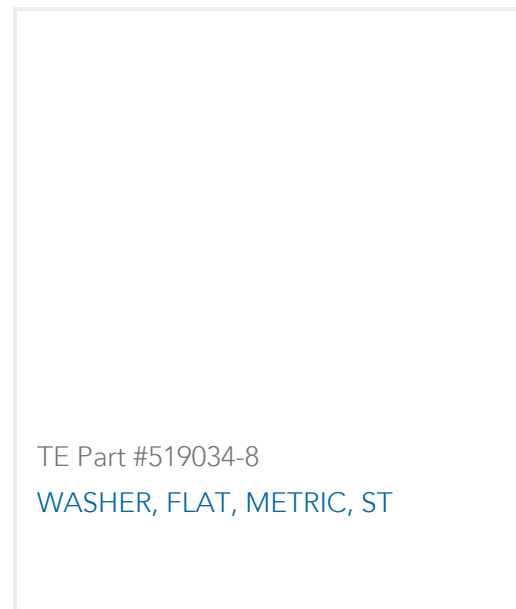
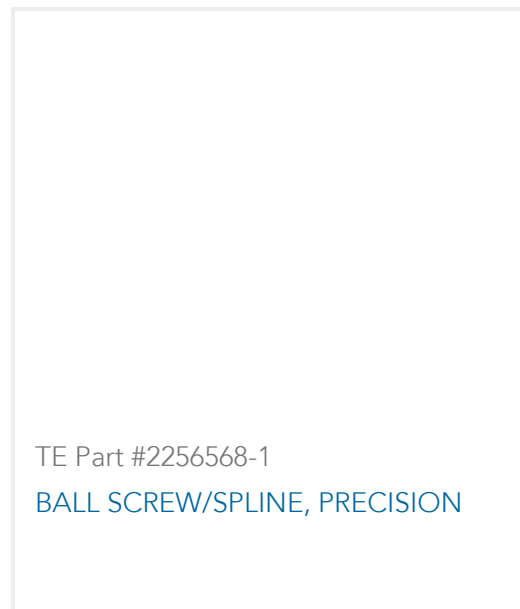
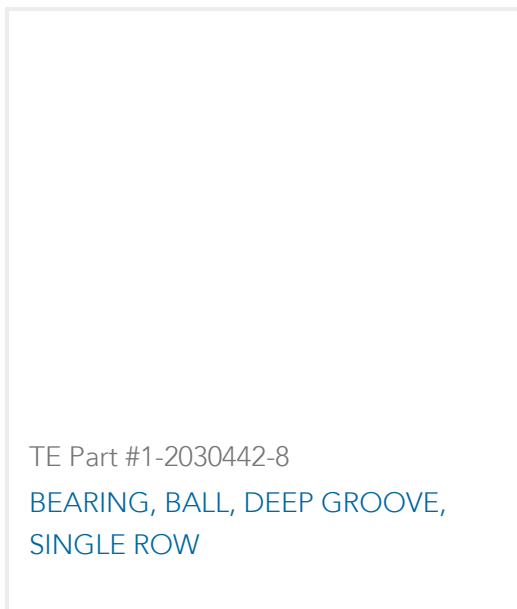
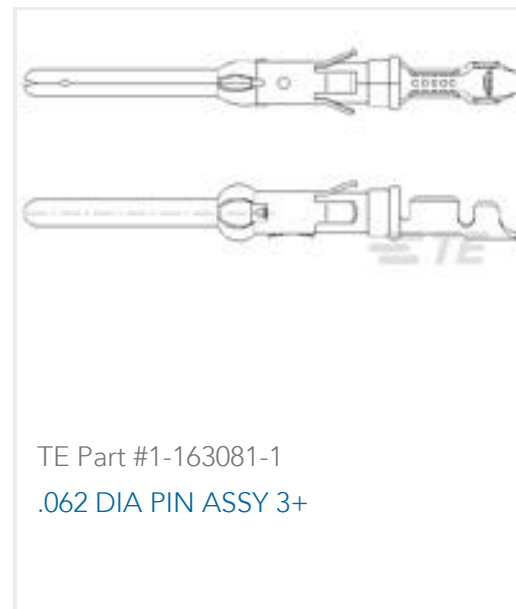
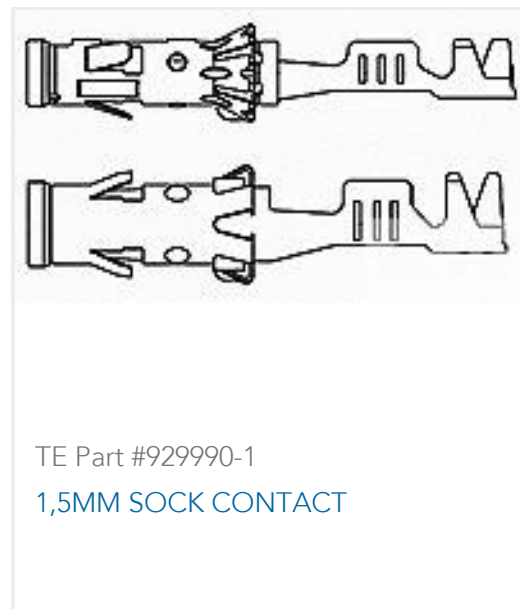
Product Compliance Disclaimer

This information is provided based on reasonable inquiry of our suppliers and represents our current actual knowledge based on the information they provided. This information is subject to change. The part numbers that TE has identified as EU RoHS compliant have a maximum concentration of 0.1% by weight in homogenous materials for lead, hexavalent chromium, mercury, PBB, PBDE, DBP, BBP, DEHP, DIBP, and 0.01% for cadmium, or qualify for an exemption to these limits as defined in the Annexes of Directive 2011/65/EU (RoHS2). Finished electrical and electronic equipment products will be CE marked as required by Directive 2011/65/EU. Components may not be CE marked. Additionally, the part numbers that TE has identified as EU ELV compliant have a maximum concentration of 0.1% by weight in homogenous materials for lead, hexavalent chromium, and mercury, and 0.01% for cadmium, or qualify for an exemption to these limits as defined in the Annexes of Directive 2000/53/EC (ELV). Regarding the REACH Regulation, the information TE provides on SVHC in articles for this part number is based on the latest European Chemicals Agency (ECHA) 'Guidance on requirements for substances in articles' posted at this URL: <https://echa.europa.eu/guidance-documents/guidance-on-reach>

Compatible Parts



Customers Also Bought



Documents

Product Drawings

[ABDECKKAPPE 90GRD](#)

English

CAD Files

[3D PDF](#)

3D

Customer View Model

[ENG_CVM_CVM_965783-1_B.2d_dxf.zip](#)

English

Customer View Model

[ENG_CVM_CVM_965783-1_B.3d_igs.zip](#)

English

Customer View Model

[ENG_CVM_CVM_965783-1_B.3d_stp.zip](#)

English

By downloading the CAD file I accept and agree to the [Terms and Conditions](#) of use.



Datasheets & Catalog Pages

TERMINALS AND CONNECTORS

English

HDSCS Catalog

English

CONNECTOR SELECTOR

English

Product Specifications

Application Specification

English