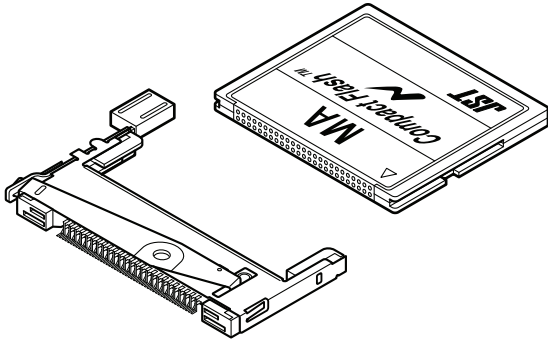


CF CARD CONNECTOR MA Type

1.27 mm pitch/ 50-circuit CF card connector



In addition to CF Type I cards, we have added headers and ejectors applicable to CF Type II cards to our product lineup.

- Socket for SMT assembly
- Header for Type I & II cards
- Ejector for Type I cards
- Card frame for Type I cards

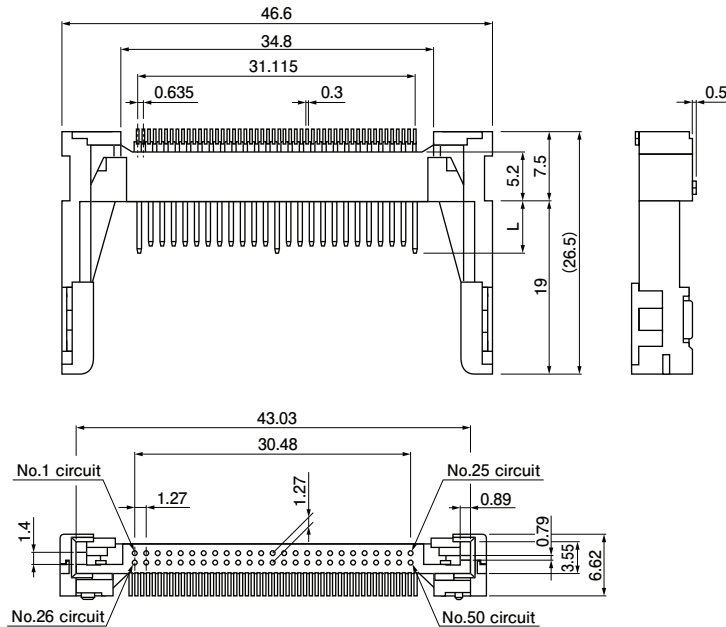
■ Specifications

- Current rating: 0.5 A/line
- Temperature range: -20°C to +60°C
- Contact resistance: Initial value/ 40 mΩ max.
After test/ 20 mΩ max.
(Variation from initial value)
- Withstanding voltage:
There shall be no breakdown or flashover while applying 500 VAC for one minute.
- Insulation resistance: 1,000 MΩ min.
(500 V DC (Test Voltage))
- Mating cycles: Contact resistance of 20 mΩ or less after 10,000 mating cycles
(variation from initial value)
- Applicable standard: CFA
- * Please refer to the "Handling Precautions for Terminals and Connectors" on our website (listed in the "Technical Documents" column on the Product Information page) before use.
- * RoHS2 compliance
- * Dimensional unit: mm
- * Contact JST for details.

CF CARD CONNECTOR MA Type

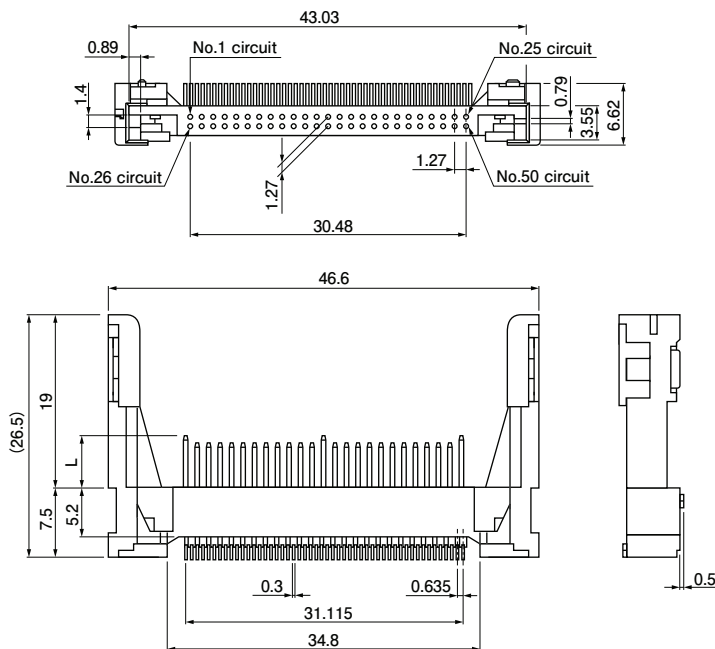
Headers for Type I cards

• Normal type (Standoff 1.64 mm)



Circuit No.	Dimensions L (mm)
1, 13, 38, 50	5.0±0.1
2 to 12, 14 to 24, 27 to 37, 39 to 49	4.25±0.1
25, 26	3.5±0.1

• Reverse type (Standoff 1.64 mm)



Circuit No.	Dimensions L (mm)
1, 13, 38, 50	5.0±0.1
2 to 12, 14 to 24, 27 to 37, 39 to 49	4.25±0.1
25, 26	3.5±0.1

No. of circuits	Type	Model No.	Q'ty/box	Material and Surface finish, etc.
50	Normal	ICM-MA50H-SS52-1141	140	Contact: Copper alloy, Contact area/ gold-plated Soldering area/ tin-plated Housing: PPS Reinforcement tab: Copper alloy, tin-plated
	Reverse	ICM-MA50H-SS52-1161	140	

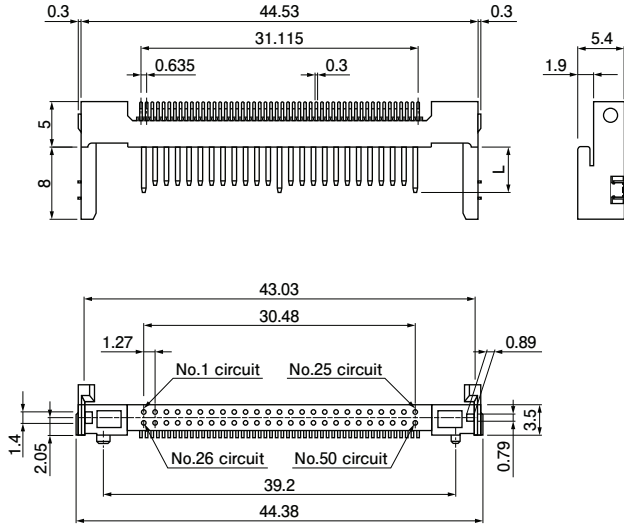
Note: 1. This product displays (LF) (SN) on a label.

2. For flame retardant grade of resin material used, please refer to the "List of Registered Overseas Standards" on our website (listed in the "Technical Documents" column on the Product Information page).

CF CARD CONNECTOR MA Type

Header for Type II cards - Space saving type

• Normal type (Standoff 0 mm)



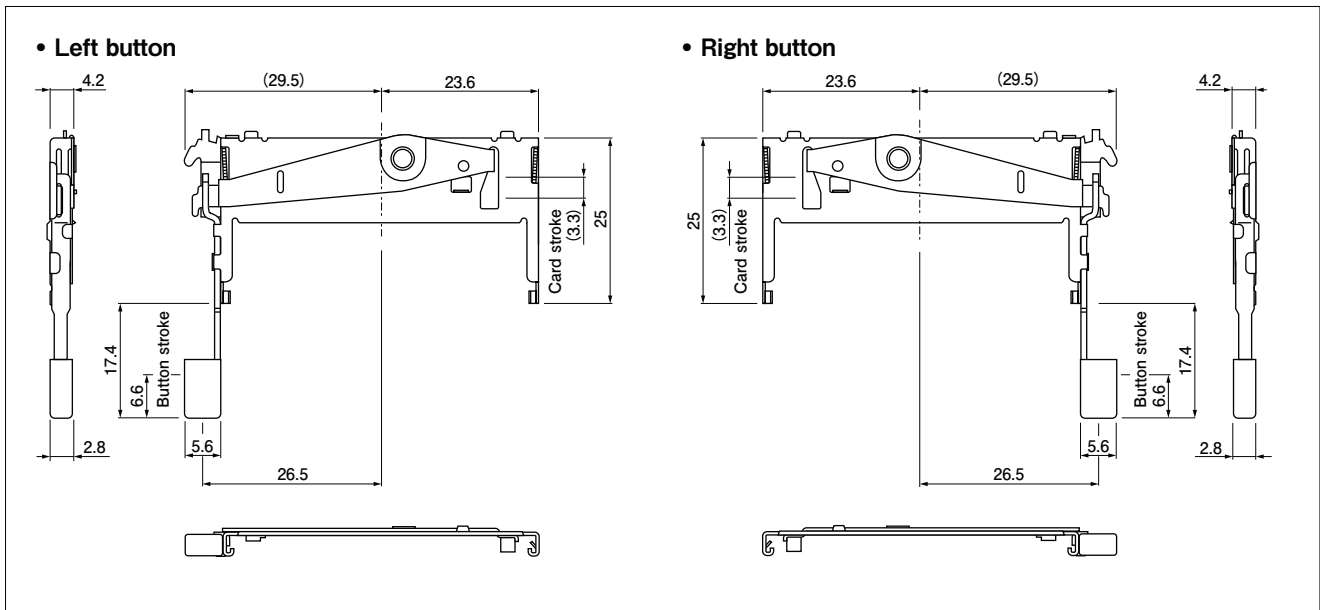
Circuit No.	Dimensions L (mm)
1, 13, 38, 50	5.0 \pm 0.1
2 to 12, 14 to 24, 27 to 37, 39 to 49	4.25 \pm 0.1
25, 26	3.5 \pm 0.1

No. of circuits	Type	Model No.	Q'ty/reel	Material and Surface finish, etc.
50	Normal	ICM-MA2H-SS52-N13LT	750	Contact: Copper alloy, Contact area/ gold-plated Soldering area/ tin-plated Housing: PPS Reinforcement tab: Copper alloy, tin-plated

- Note: 1. This product displays (LF) (SN) on a label.
 2. This product is supplied on embossed tape and reel packaging.
 3. For flame retardant grade of resin material used, please refer to the "List of Registered Overseas Standards" on our website (listed in the "Technical Documents" column on the Product Information page).

CF CARD CONNECTOR MA Type

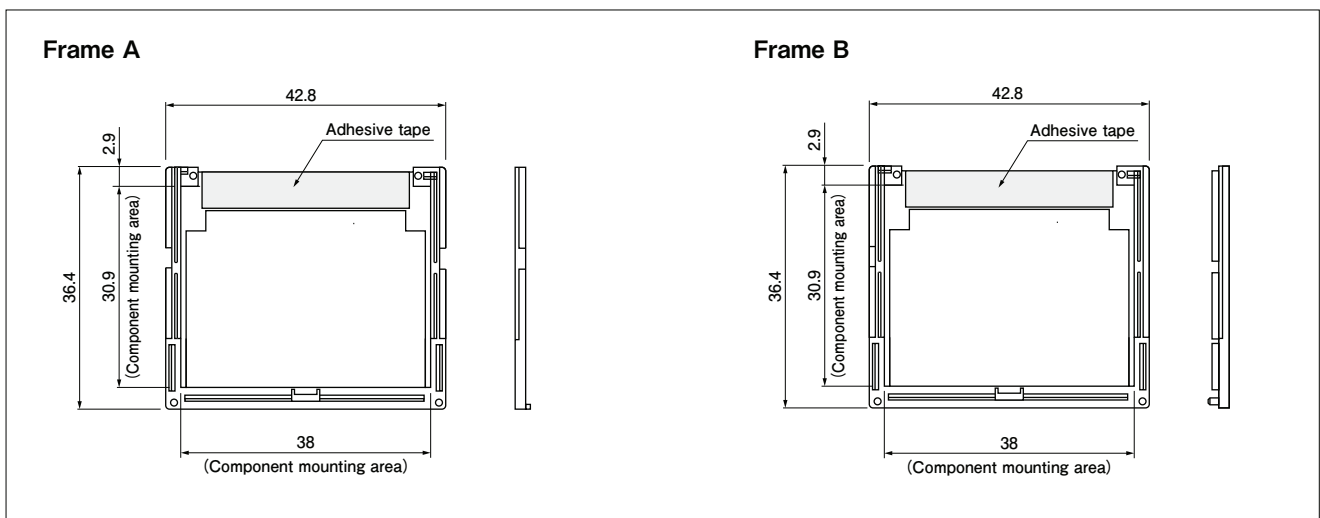
Ejector for Type I cards



Type	Model No.	Q'ty/box	Material and Surface finish, etc.	Applicable header
Left button	ICM-MAE-L01	100	Frame: Stainless Rotation arm: Stainless Push bar: Stainless Push button: PPS, black	ICM-MA50H-SS52-1141 ICM-MA50H-SS52-1161
Right button	ICM-MAE-R01	100		

Note: For flame retardant grade of resin material used, please refer to the "List of Registered Overseas Standards" on our website (listed in the "Technical Documents" column on the Product Information page).

Card frame for Type I cards



No. of circuits	Model No. as a set (Frame A + Frame B)	Applicable socket	Q'ty/box	Material and Surface finish, etc.
50	ICM-MA50F-A/B-FB-J	ICM-MA50S-TS12-3023T	150	Frame: PBT (GF), black Cover: Stainless

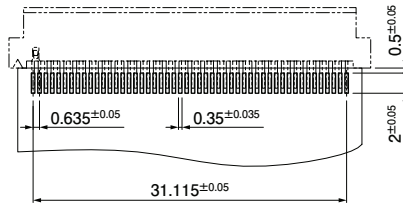
Note: For flame retardant grade of resin material used, please refer to the "List of Registered Overseas Standards" on our website (listed in the "Technical Documents" column on the Product Information page).

CF CARD CONNECTOR MA Type

PC board layout

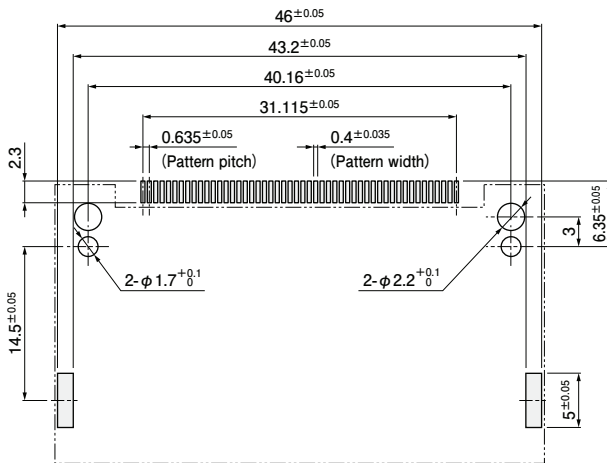
Socket for SMT assembly

- ICM-MA50S-TS12-3022T
- ICM-MA50S-TS12-3023T



Header (for Type I cards)

- Normal type (Standoff 1.64 mm)
- Reverse type (Standoff 1.64 mm)



Header (for Type II cards) - Space saving type

- Normal type (Standoff 0 mm)

