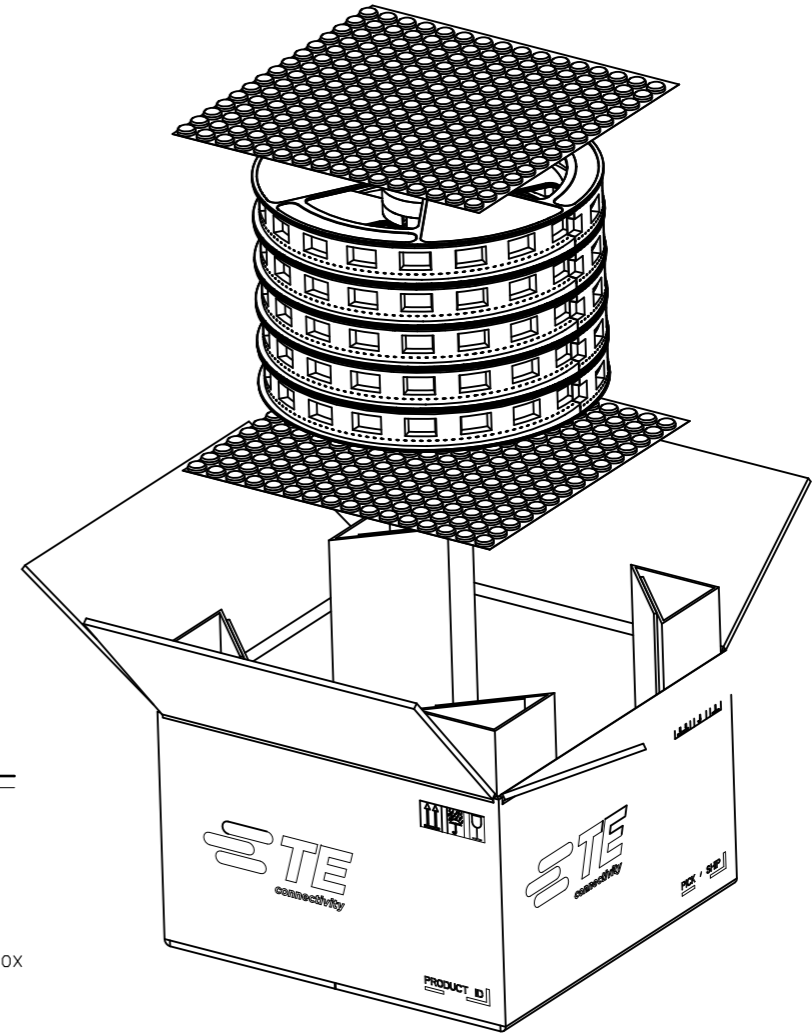
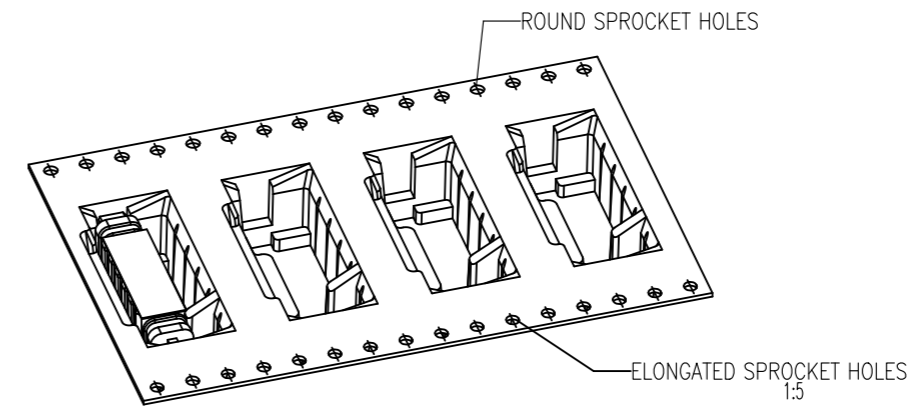
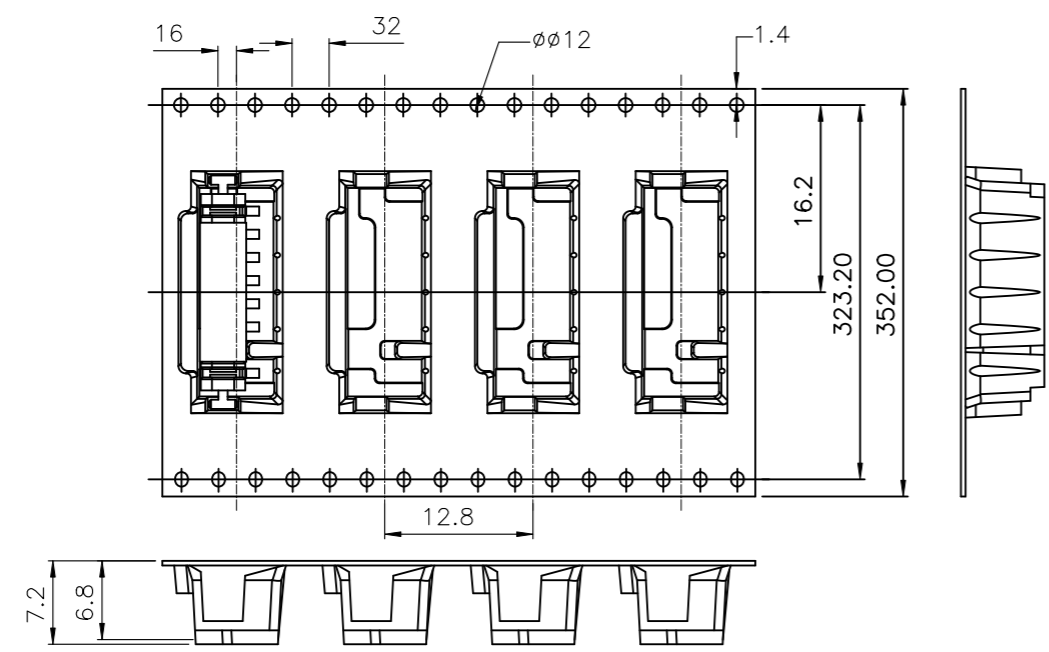


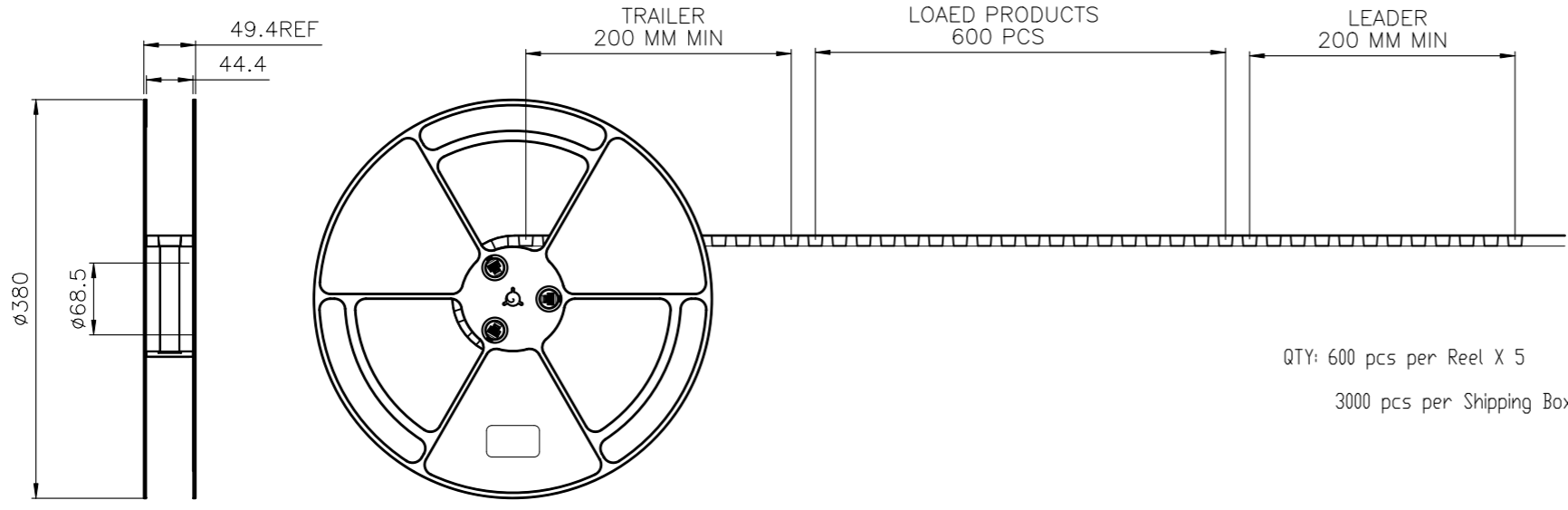


THIS DRAWING IS UNPUBLISHED. RELEASED FOR PUBLICATION MAY, 1999.  
 © COPYRIGHT 1999 BY TYCO ELECTRONICS CORPORATION. ALL RIGHTS RESERVED.

LOC	DIST	REVISIONS					
ES	—	P	LTR	DESCRIPTION	DATE	DWN	APVD
				SEE SHEET 1	—	—	—



USER DIRECTION  
OF UNREELING →



QTY: 600 pcs per Reel X 5  
3000 pcs per Shipping Box

For PN 1318574-5

THIS DRAWING IS A CONTROLLED DOCUMENT.		DWN	T.KUSUHARA	17MAY99	Tyco Electronics Corporation Shanghai P.R.CHINA		
DIMENSIONS: mm		CHK	T.YAMADA	17MAY99	NAME		
TOLERANCES UNLESS OTHERWISE SPECIFIED:		APVD	T.YAMADA	17MAY99	RECEPTACLE ASSEMBLY 2.5mm PITCH BATTERY CONNECTOR REVERSE SEQUENTIAL PIN		
0 PLC ± -		PRODUCT SPEC	108-5599		SIZE	CAGE CODE	DRAWING NO
1 PLC ± -		APPLICATION SPEC	-		A3	00779	C-1318574
2 PLC ± -		WEIGHT	0.000000		RESTRICTED TO		
3 PLC ± -		CUSTOMER DRAWING		SCALE	2:1		SHEET
4 PLC ± -				2 OF 2		REV	C
ANGLES ± -							
FINISH							
-							