



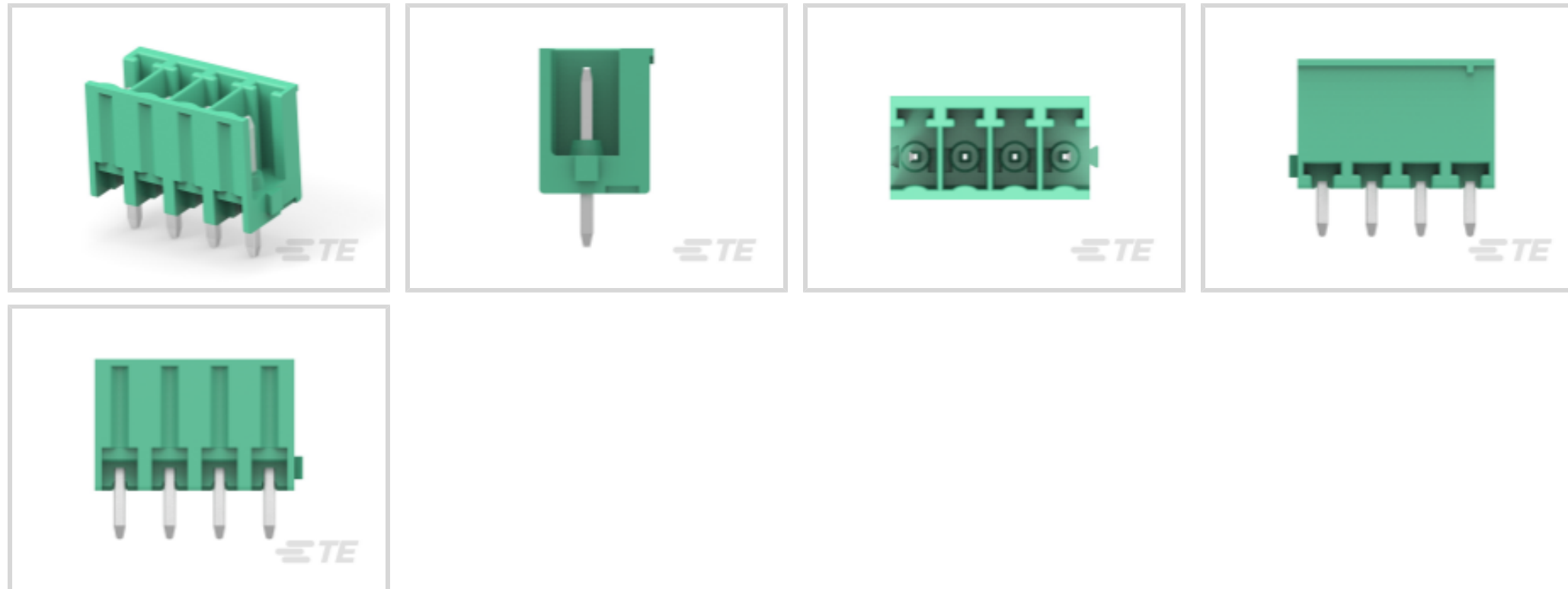
**Buchanan**

TE Internal #: 284518-4

Header, Wire-to-Board, 4 Position, 3.81 mm [.15 in] Centerline, 1 Row, 30 – 14 AWG Wire Size, .05 – 2 mm<sup>2</sup> Wire Size, PCB Terminal Blocks

[View on TE.com >](#)

Connectors > Terminal Blocks & Strips > PCB Terminal Blocks



EU RoHS Compliance: **Compliant**

EU ELV Compliance: **Compliant**

Terminal Block Connector Type: **Header**

Connector System: **Wire-to-Board**

Number of Positions: **4**

**Features**

**Other**

EU RoHS Compliance	Compliant
EU ELV Compliance	Compliant

**Product Type Features**

Header Type	Partially Shrouded
Terminal Block Connector Type	Header
Connector System	Wire-to-Board
Connector & Contact Terminates To	Printed Circuit Board

**Configuration Features**

Stacking Configuration	Side Stackable
Stacked Levels	Without
Number of Positions	4
Number of Rows	1

**Electrical Characteristics**

Operating Voltage	300 VAC
-------------------	---------



### Body Features

Primary Product Color	Green
Product Orientation	Vertical

### Contact Features

Contact Mating Area Plating Material	Tin
Contact Base Material	Phosphor Bronze
Contact Current Rating (Max)	11 A

### Termination Features

Termination Method to PCB	Through Hole - Solder
Termination Post & Tail Length	3.4 mm[.134 in]

### Mechanical Attachment

Connector Mounting Type	Board Mount
-------------------------	-------------

### Housing Features

Housing Material	PA 66
Centerline (Pitch)	3.81 mm[.15 in]

### Dimensions

Wire Size	30 – 14 AWG
-----------	-------------

### Usage Conditions

Operating Temperature Range	-40 – 110 °C[-40 – 230 °F]
-----------------------------	----------------------------

### Operation/Application

Circuit Application	Power & Signal
---------------------	----------------

### Packaging Features

Packaging Quantity	150
--------------------	-----

### Product Compliance

[For compliance documentation, visit the product page on TE.com>](#)

EU RoHS Directive 2011/65/EU	Compliant
EU ELV Directive 2000/53/EC	Compliant
China RoHS 2 Directive MIIT Order No 32, 2016	No Restricted Materials Above Threshold
EU REACH Regulation (EC) No. 1907/2006	Current ECHA Candidate List: JUNE 2024 (241)



Candidate List Declared Against: JUNE 2024 (241)  
Does not contain REACH SVHC

Halogen Content	Low Halogen - Br, Cl, F, I < 900 ppm per homogenous material. Also BFR/CFR/PVC Free
Solder Process Capability	Wave solder capable to 240°C

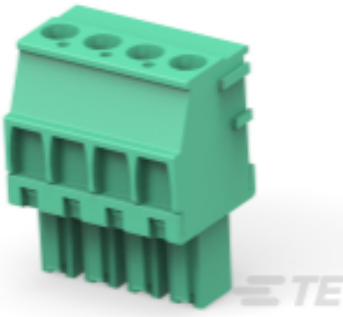
Product Compliance Disclaimer

This information is provided based on reasonable inquiry of our suppliers and represents our current actual knowledge based on the information they provided. This information is subject to change. The part numbers that TE has identified as EU RoHS compliant have a maximum concentration of 0.1% by weight in homogenous materials for lead, hexavalent chromium, mercury, PBB, PBDE, DBP, BBP, DEHP, DIBP, and 0.01% for cadmium, or qualify for an exemption to these limits as defined in the Annexes of Directive 2011/65/EU (RoHS2). Finished electrical and electronic equipment products will be CE marked as required by Directive 2011/65/EU. Components may not be CE marked. Additionally, the part numbers that TE has identified as EU ELV compliant have a maximum concentration of 0.1% by weight in homogenous materials for lead, hexavalent chromium, and mercury, and 0.01% for cadmium, or qualify for an exemption to these limits as defined in the Annexes of Directive 2000/53/EC (ELV). Regarding the REACH Regulation, the information TE provides on SVHC in articles for this part number is based on the latest European Chemicals Agency (ECHA) 'Guidance on requirements for substances in articles' posted at this URL: <https://echa.europa.eu/guidance-documents/guidance-on-reach>

### Compatible Parts



TE Part # 284507-4  
4 POS TERMI-BLOK PLUG STAC 3,8



TE Part # 1986919-4  
TERMI-BLOCK RH PLUG 3.81MM  
MODULAR 4 POS

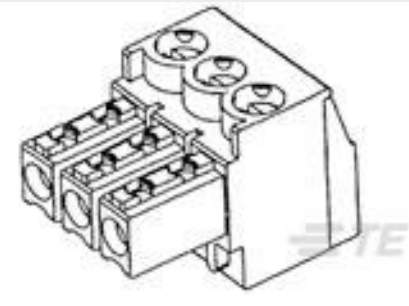


TE Part # 284509-4  
4P TERMI-BLOK PLUG STACK 3,8

### Customers Also Bought



TE Part #3-641213-2  
02P MTA100 HDR ASSY PO/ST LF



TE Part #284507-4  
4 POS TERMI-BLOK PLUG STAC 3,8



TE Part #5205820-3  
WASHER,FLAT #4,PLATED



TE Part #3-640440-2  
02P MTA100 CONN ASSY 22AWG RED

### Documents

Product Drawings

4P TERMIBLOK HDR DIR MODULE

English



### Datasheets & Catalog Pages

#### BUCHANAN TERMINAL BLOCKS CATALOG - EUROSTYLE TERMINAL BLOCKS

English

[1-1773458-1\\_EURO\\_STYLE\\_TERMINAL\\_BLOCKS\\_QRG](#)

English

---

### Product Specifications

#### Application Specification

English

---

### Agency Approvals

[UL](#)

English