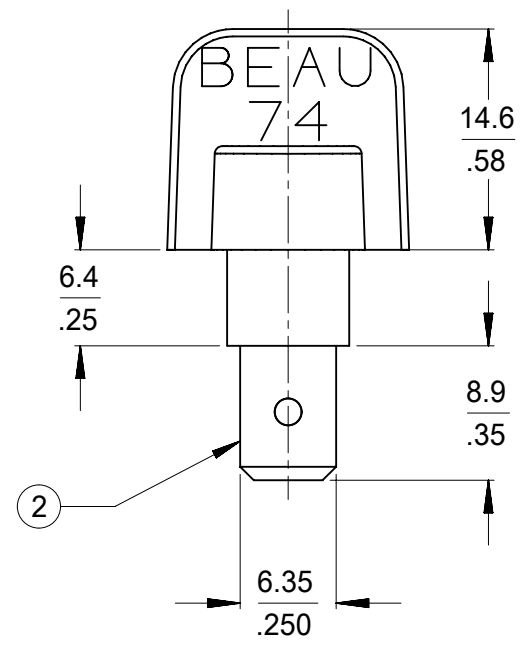
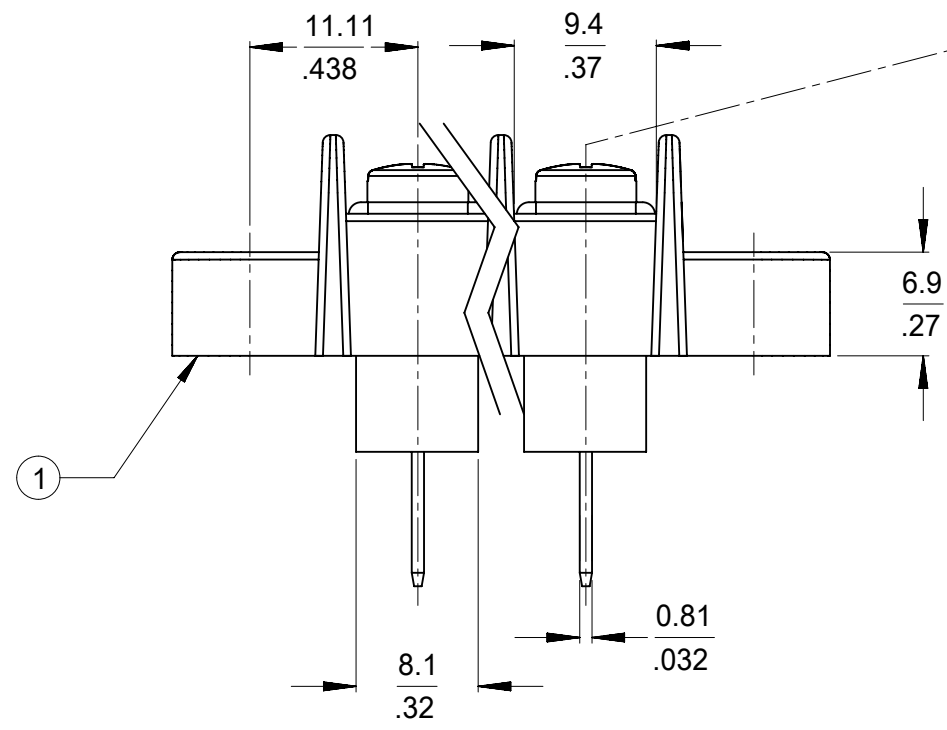
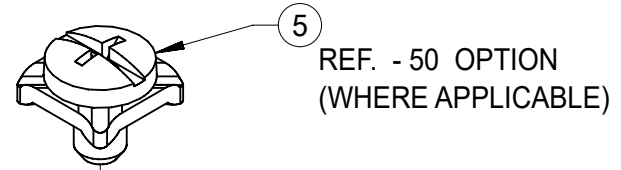


TWO LENGTH SHOWN



- NOTES:
1. MATERIAL: SEE TABLE
  2. FINISHES: SEE TABLE
  3. PRODUCT SPECIFICATION: NOT REQUIRED
  4. ROHS COMPLIANT

5	"XX"	SCREW #6-32 X .250 SQ. WSR. (-50 OPT)	STEEL	ZN, CLEAR CHROMATE
4	"XX"	SCREW #6-32 X .250 BINDING HEAD (-49 OPT)	BRASS	NICKEL PLATE
3	"XX"	SCREW #6-32 X .250 BINDING HEAD STD.	STEEL	ZN, CLEAR CHROMATE
2	"XX"	TERMINAL FT 6C SN/B	BRASS	TIN PLATE
1	1	SR BTS INSUL MO MTG	POLYESTER (PBT)	BLACK
ITEM	QTY.	DESCRIPTION	MATERIAL	FINISH

THIS DRAWING CONTAINS INFORMATION THAT IS PROPRIETARY TO MOLEX ELECTRONIC TECHNOLOGIES, LLC AND SHOULD NOT BE USED WITHOUT WRITTEN PERMISSION

DIMENSION UNITS <b>mm/IN</b>	SCALE <b>2:1</b>	CURRENT REV DESC: REMOVED OBSOLETE PART NUMBERS AS PER PCN#515181.		<b>molex</b>		
GENERAL TOLERANCES (UNLESS SPECIFIED)		EC NO: 793827				
4 PLACES ±	±	DRWN: RAVINR1	2024/06/06	PRODUCT CUSTOMER DRAWING		
3 PLACES ±	± 0.005	CHK'D: GGA	2024/08/13	DOCUMENT NUMBER		
2 PLACES ±	± 0.13	APPR: GGA	2024/08/13	SD-38741-002		
1 PLACE ±	± 0.3	INITIAL REVISION:		DOC TYPE	DOC PART	REVISION
0 PLACES ±	±	DRWN: JENCINAS		PSD	001	B1
ANGULAR TOL ± 2.0°		APPR: JENCINAS		SHEET NUMBER		
DRAFT WHERE APPLICABLE MUST REMAIN WITHIN DIMENSIONS		THIRD ANGLE PROJECTION	DRAWING	SERIES	MATERIAL NUMBER	CUSTOMER
			B-SIZE	38741	SEE TABLE	GENERAL MARKET
						1 OF 2

F

E

D

C

B

A

NO. OF CIRCUITS "XX"	DIM. "A"		DIM. "B"		DIM. "C"		ASSEMBLY MATERIAL No. STD.	ASSEMBLY MATERIAL No. -49 OPT.	ASSEMBLY MATERIAL No. -50 OPT.
	MM	INCH	MM	INCH	MM	INCH			
2	43.5	1.71	11.11	0.438	33.34	1.313	387416602	-----	-----
4	65.7	2.59	33.34	1.313	55.56	2.188	387416604	-----	387417204
6	88.0	3.46	55.56	2.188	77.79	3.063	387416606	-----	387417206
7	99.1	3.90	66.68	2.625	88.90	3.500	-----	-----	387417207
8	110.2	4.34	77.79	3.063	100.01	3.938	387416608	-----	-----
9	121.3	4.78	88.90	3.500	111.13	4.375	-----	387416909	387417209
10	132.4	5.21	100.01	3.938	122.24	4.813	-----	387416910	387417210
11	143.5	5.65	111.13	4.375	133.35	5.250	387416611	387416911	387417211
12	154.6	6.09	122.24	4.813	144.46	5.688	-----	-----	387417212
13	165.7	6.53	133.35	5.250	155.58	6.125	387416613	387416913	387417213
14	176.9	6.96	144.46	5.688	166.69	6.563	387416614	387416914	387417214
15	188.0	7.40	155.58	6.125	177.80	7.000	387416615	387416915	-----
16	199.1	7.84	166.69	6.563	188.91	7.438	387416616	387416916	387417216
17	210.2	8.28	177.80	7.000	200.03	7.875	387416617	387416917	387417217
18	221.3	8.71	188.91	7.438	211.14	8.313	-----	387416918	387417218
19	232.4	9.15	200.03	7.875	222.25	8.750	387416619	387416919	387417219
20	243.5	9.59	211.14	8.313	233.36	9.188	387416620	387416920	387417220
21	254.6	10.03	222.25	8.750	244.48	9.625	387416621	387416921	387417221
22	265.8	10.46	233.36	9.188	255.59	10.063	-----	387416922	387417222
23	276.9	10.90	244.48	9.625	266.70	10.500	387416623	387416923	387417223
24	288.0	11.34	255.59	10.063	277.81	10.938	387416624	387416924	387417224
25	299.1	11.78	266.70	10.500	288.93	11.375	387416625	387416925	387417225
26	310.2	12.21	277.81	10.938	300.04	11.813	387416626	387416926	387417226
27	321.3	12.65	288.93	11.375	311.15	12.250	387416627	387416927	387417227
28	332.4	13.09	300.04	11.813	322.26	12.688	387416628	387416928	387417228
29	343.5	13.53	311.15	12.250	333.38	13.125	387416629	387416929	387417229
30	354.7	13.96	322.26	12.688	344.49	13.563	387416630	387416930	387417230

THIS DRAWING CONTAINS INFORMATION THAT IS PROPRIETARY TO MOLEX ELECTRONIC TECHNOLOGIES, LLC AND SHOULD NOT BE USED WITHOUT WRITTEN PERMISSION

DIMENSION UNITS <b>mm/IN</b>	SCALE <b>2:1</b>	CURRENT REV DESC: REMOVED OBSOLETE PART NUMBERS AS PER PCN#515181.	<b>molex</b>		
GENERAL TOLERANCES (UNLESS SPECIFIED)					
	MM	INCH	11.11MM [.438] SR BTS INSULATED QUICK CONNECT .250 FT ASSY		
4 PLACES ±			PRODUCT CUSTOMER DRAWING		
3 PLACES ±	± 0.005		DOCUMENT NUMBER		
2 PLACES ±	± 0.13	± 0.01	SD-38741-002		
1 PLACE ±	± 0.3	±	DOC TYPE	DOC PART	REVISION
0 PLACES ±			PSD	001	B1
ANGULAR TOL ±	± 2.0°		SHEET NUMBER		
DRAFT WHERE APPLICABLE MUST REMAIN WITHIN DIMENSIONS	THIRD ANGLE PROJECTION	DRAWING	SERIES	MATERIAL NUMBER	CUSTOMER
		B-SIZE	38741	SEE TABLE	GENERAL MARKET

EC NO: 793827  
 DRWN: RAVINR1 2024/06/06  
 CHK'D: GGA 2024/08/13  
 APPR: GGA 2024/08/13  
 INITIAL REVISION:  
 DRWN: JENCINAS 2009/12/02  
 APPR: JENCINAS 2009/12/07

F

E

D

C

B

A