

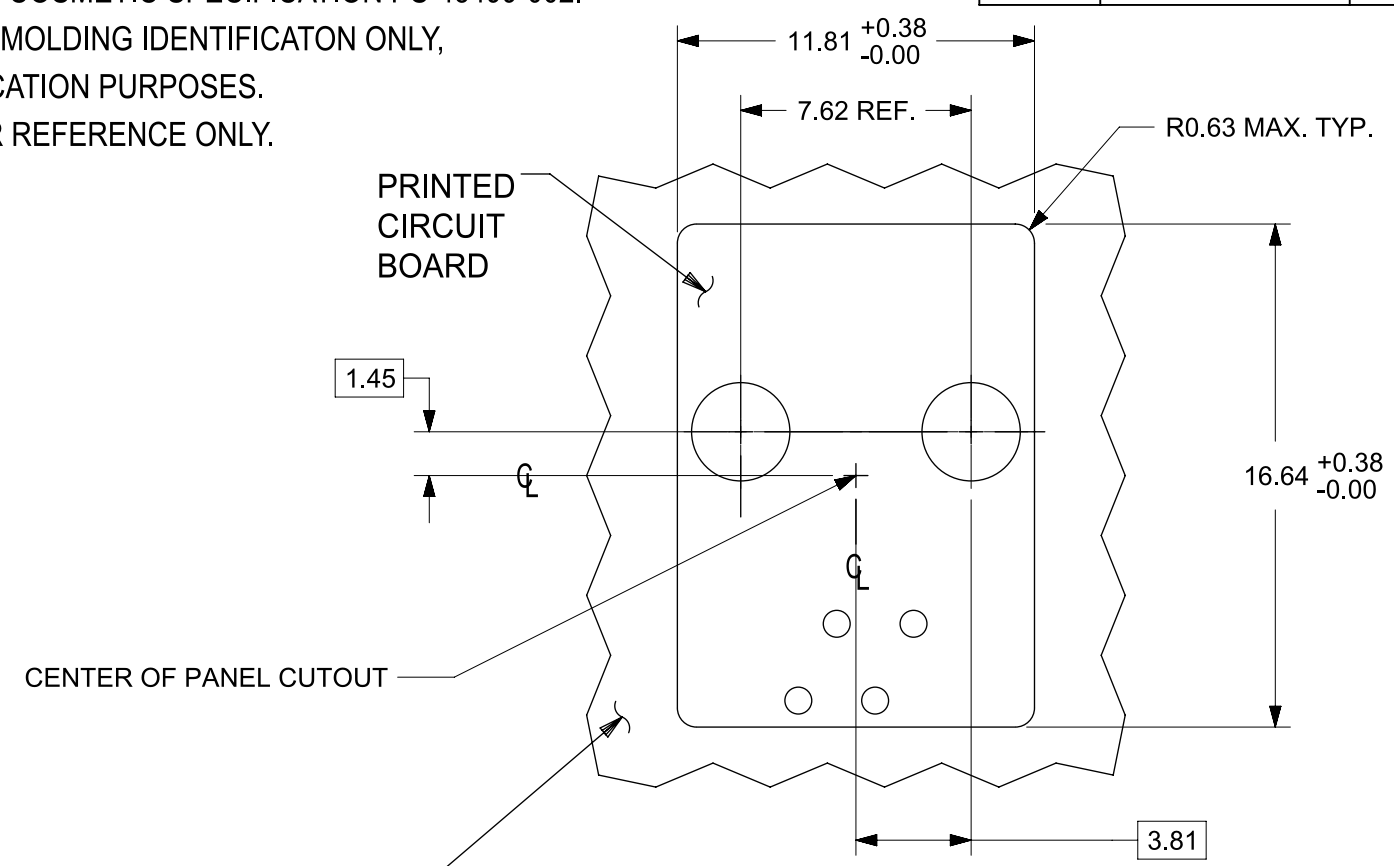
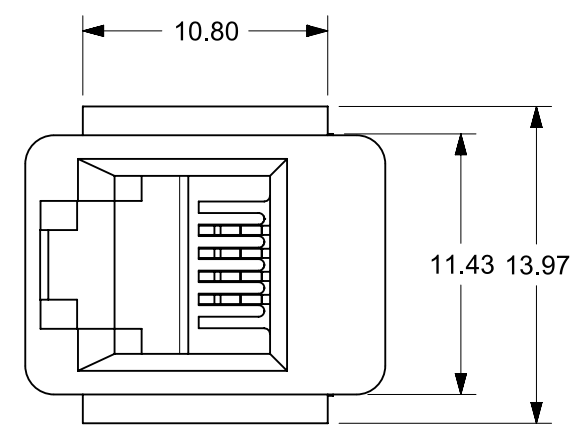
NOTES:

- 1) MATERIALS: HOUSING PARTS ARE MADE OF POLYESTER, RATED U.L. 94 V-0, COLOR IS BLACK; TERMINALS ARE 0.38 mm THICK PHOSPHOR BRONZE.
- 2) TERMINAL PLATING OPTIONS PER ES-88-***:
 - A - SELECT GOLD IN CONTACT AREA: 1.27 MICROMETERS MIN., SELECT MATTE TIN IN PC TAIL AREA: 2.54 MICROMETERS MIN., WITH OVERALL NICKEL UNDERPLATE: 1.27 MICROMETERS MIN.
- 3) THESE MODULAR JACKS MEET THE PERFORMANCE REQUIREMENTS OF MOLEX PRODUCT SPECIFICATION PS-42410.
- 4) CONNECTORS ARE TO BE PACKED IN THERMOFORMED TRAYS, PER PACKAGING SPECIFICATION PK-42410-492.
- 5) ALL JACKS ARE DESIGNED TO BE USED WITH 1.57mm THICK P.C. BOARDS.
- 6) ALL JACKS CONFORM TO AND ACCEPT PLUGS WHICH CONFORM TO FCC RULES AND REGULATIONS PART 68, SUBPART F, WHEN PLATED WITH 1.27 MICROMETERS GOLD.
- 7) ALL JACKS MUST BE CAPABLE OF FITTING INTO MOLEX GAGE G-42410.
- 8) SEE SHEET 2 FOR CONNECTOR SIZE 6.
- 9) SEE SHEET 3 FOR CONNECTOR SIZE 8.
- 10) PART CONFORMS TO CLASS "B" REQUIREMENTS OF COSMETIC SPECIFICATION PS-45499-002.
- 11) ENGRAVED NUMBERS ON HOUSING BODY ARE FOR MOLDING IDENTIFICATION ONLY, THEY ARE NOT INTENDED FOR ASSEMBLY IDENTIFICATION PURPOSES.
- 12) ALL UNTOLERANCED DIMENSIONS ARE SHOWN FOR REFERENCE ONLY.

P.C. BOARD THICKNESS	DIM. "D" (MTG PEGS)	DIM. "F" (P.C. TAILS)
1.57	3.25	3.05 +0.38/-0.63

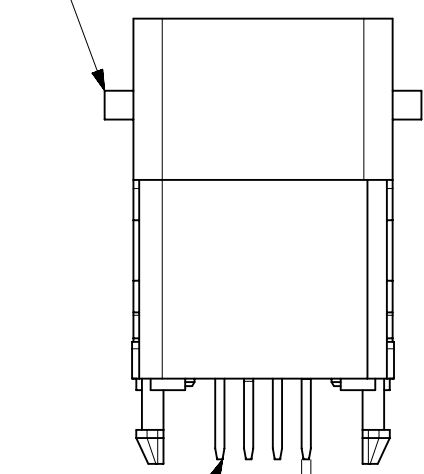
CONNECTOR SIZE	CIRCUIT SIZE	DIM. "G"
4	4	3.81

SIZE 4 VERTICAL MODJACK ASSEMBLIES						
"X"= NOT TOOLED	ASSEMBLY ITEM NUMBER	PART CHARACTERISTICS				
		EXTERNAL CONNECTOR SIZE	NUMBER OF POSITIONS	P.C. BOARD THICKNESS	MOUNTING EARS OPTION	TERMINAL PLATING OPTION
	42410-4168	4 POS. BODY	4	1.57	YES	A
	42410-4170	4 POS. BODY	4	1.57	NO	A

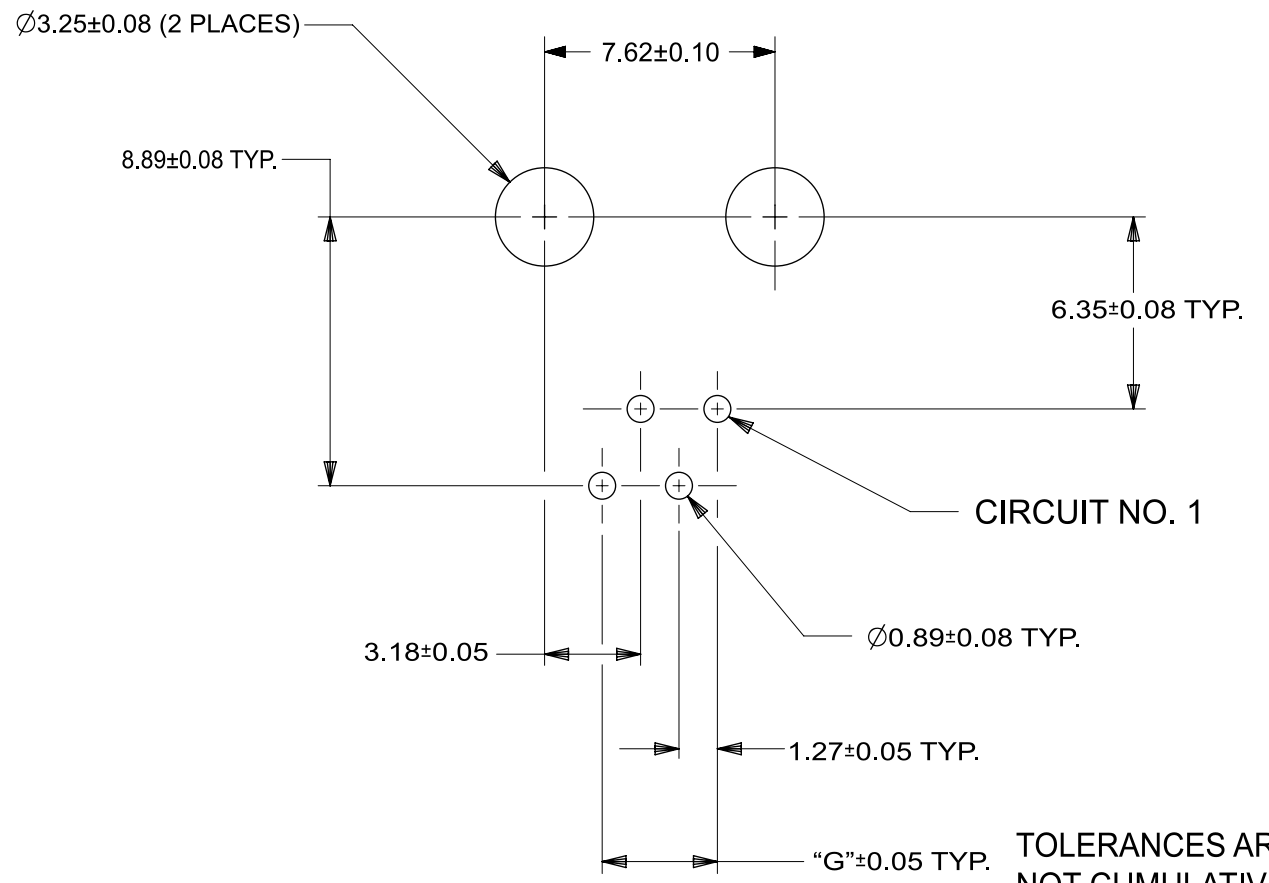
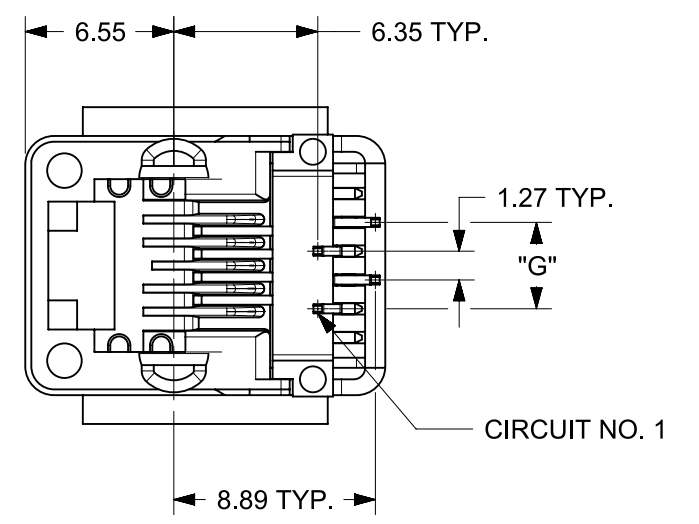
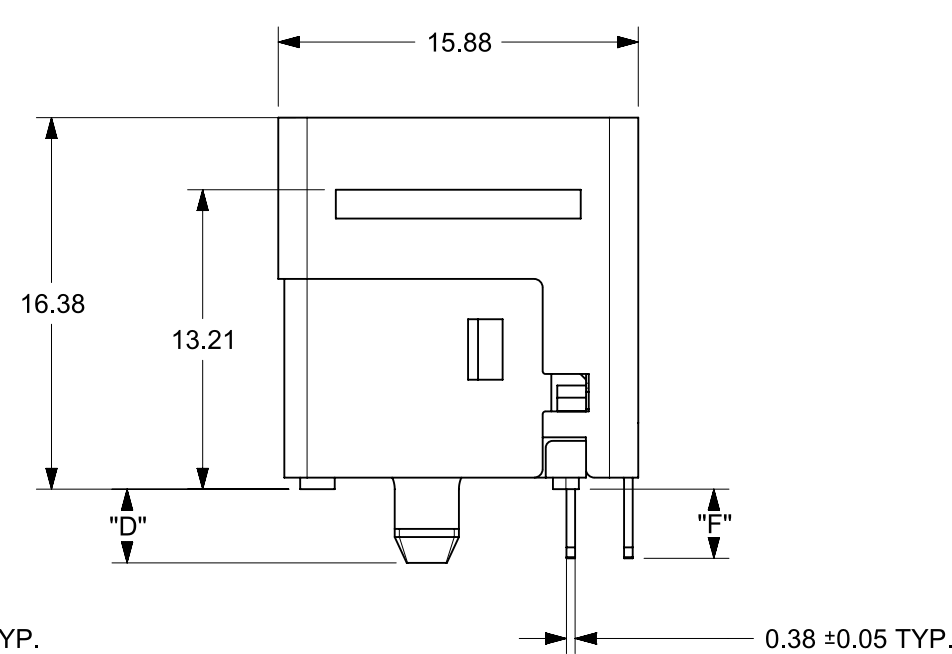


PANEL CUT-OUT FOR CONNECTOR SIZE 4

MOUNTING EARS ARE OPTIONAL



CIRCUIT NO. 1 (LOCATED AT THIS END OF CONNECTOR)



P.C. BOARD LAYOUT FOR CONNECTOR SIZE 4
VIEWED FROM COMPONENT SIDE

SIZE 4 MODULAR JACK LOADED WITH 4 TERMINALS SHOWN ABOVE

PREVIOUS DRAWING: SDA-42410-XXXX

FUNCTIONAL SYMBOLS $F_A = 0$ $F_C = 0$ $F_P = 0$ DIVISIONAL SYMBOLS	THIS DRAWING CONTAINS INFORMATION THAT IS PROPRIETARY TO MOLEX ELECTRONIC TECHNOLOGIES, LLC AND SHOULD NOT BE USED WITHOUT WRITTEN PERMISSION		CURRENT REV DESC: Remove the call out in the tables for 3.18mm PCB thickness on all 3 pages. This product has been obsoleted	
	DIMENSION UNITS	SCALE	STATUS: Production	
	MM	3:1	DRWN: Faye Wang	2026-02-24
	GENERAL TOLERANCES (UNLESS SPECIFIED)		CHK'D: Sean Mc Greevy	2026-03-02
ANGULAR TOL ± 0.5°		APPR: Keith Lang	2026-03-02	
4 PLACES ±		THIRD ANGLE PROJECTION	DRAWING SERIES	
3 PLACES ±			C-SIZE 42410	
2 PLACES ± 0.250		DRAFT WHERE APPLICABLE MUST REMAIN WITHIN DIMENSIONS	MATERIAL NUMBER	
1 PLACE ± 0.35			SEE CHART	
0 PLACES ±			CUSTOMER	
			GENERAL MARKET	
			SHEET NUMBER	
			1 OF 3	

molex

ASSEMBLY; VERTICAL MODULAR JACKS

PRODUCT CUSTOMER DRAWING

DOCUMENT NUMBER	DOC TYPE	DOC PART	REVISION
424108312	PSD	000	N5

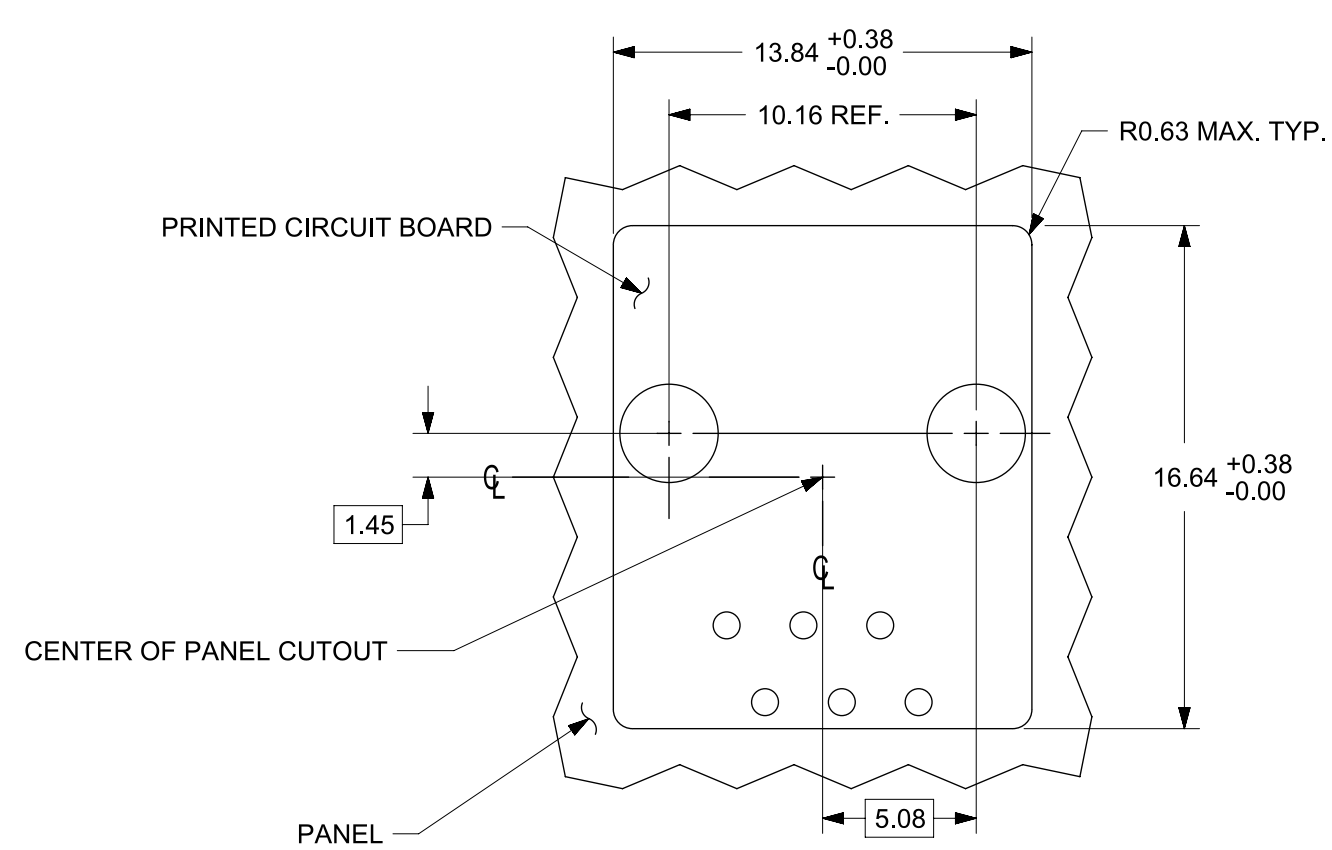
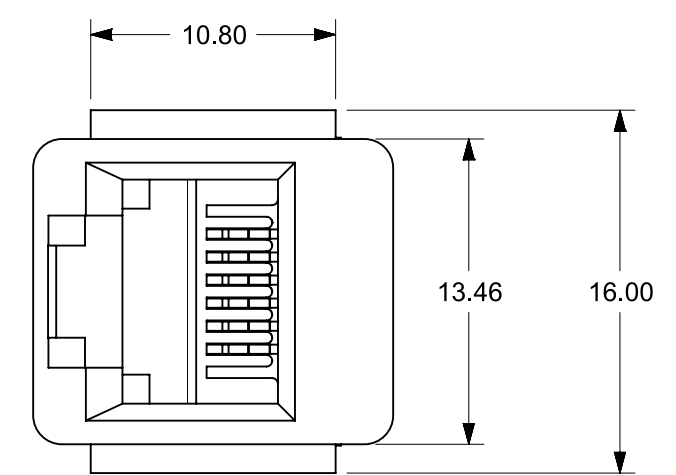
NOTES:

- 1) SEE SHEET 1 FOR ALL UNSPECIFIED NOTES.
- 2) SEE SHEET 1 FOR CONNECTOR SIZE 4
- 3) SEE SHEET 3 FOR CONNECTOR SIZE 8
- 4) ALL JACKS MUST BE CAPABLE OF FITTING INTO MOLEX GAGE G-42410 (CONNECTOR SIZE 6)

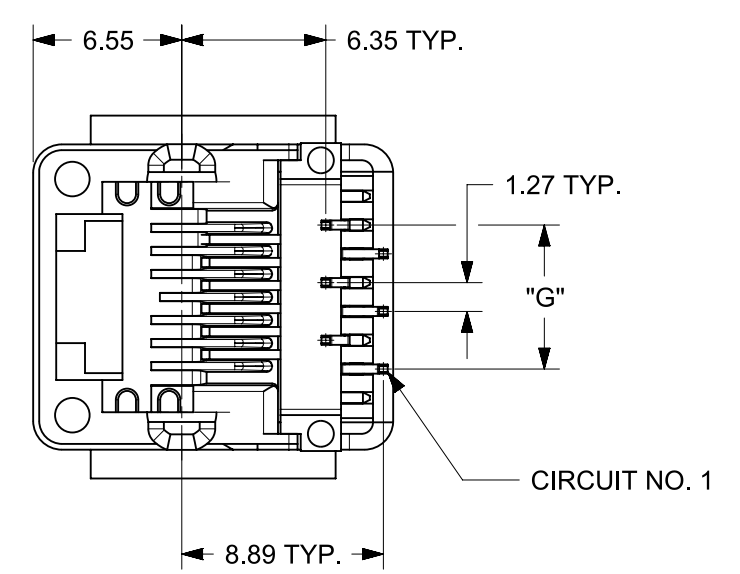
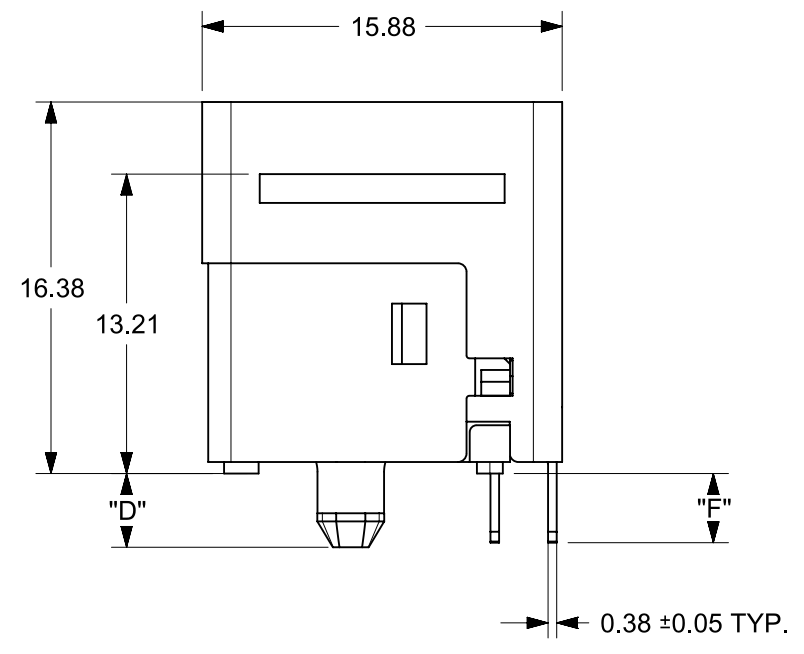
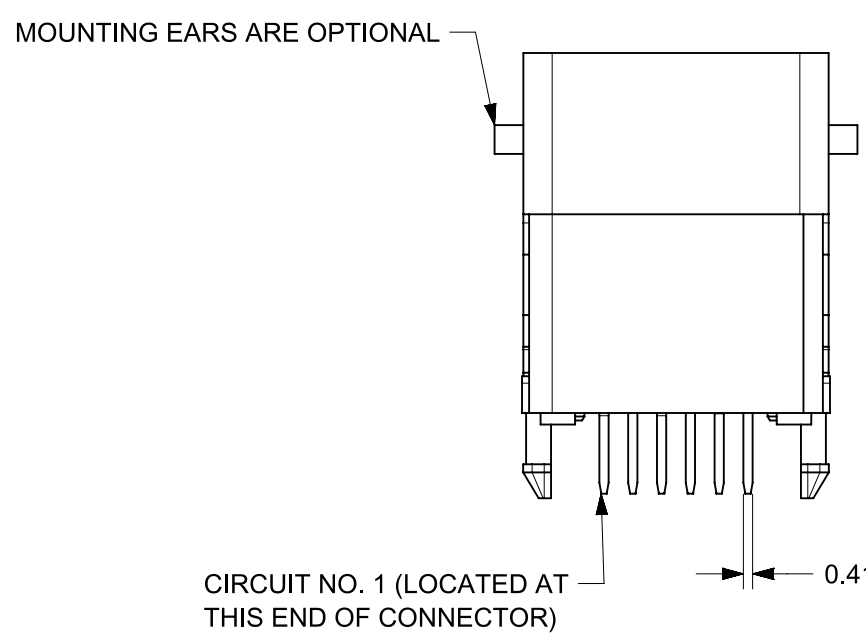
P.C. BOARD THICKNESS	DIM. "D" (MTG PEGS)	DIM. "F" (P.C. TAILS)
1.57	3.25	3.05 +0.38/-0.63

CONNECTOR SIZE	CIRCUIT SIZE	DIM. "G"
6	6	6.35
6	4	3.81
6	2	1.27

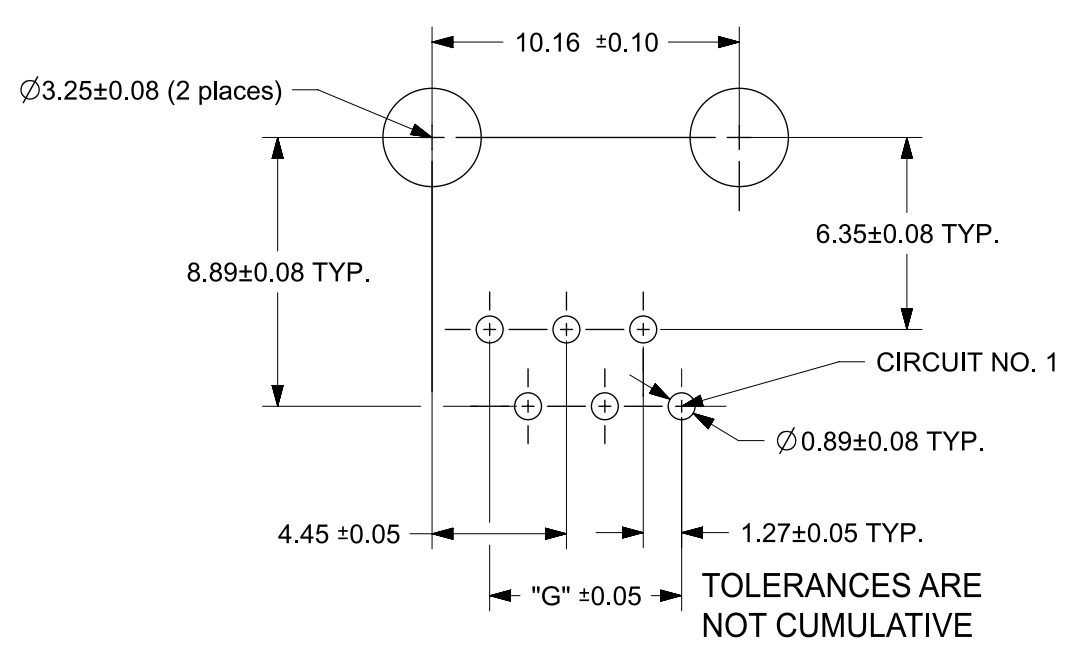
SIZE 6 VERTICAL MODJACK ASSEMBLIES						
"X"= NOT TOOLED	ASSEMBLY ITEM NUMBER	PART CHARACTERISTICS				
		EXTERNAL CONNECTOR SIZE	NUMBER OF POSITIONS	P.C. BOARD THICKNESS	MOUNTING EARS OPTION	TERMINAL PLATING OPTION
	42410-6168	6 POS. BODY	6	1.57	YES	A
	42410-6170	6 POS. BODY	6	1.57	NO	A
	42410-6314	6 POS. BODY	4	1.57	NO	A
	42410-6456	6 POS. BODY	2	1.57	YES	A



PANEL CUT-OUT FOR CONNECTOR SIZE 6



SIZE 6 MODULAR JACK LOADED WITH 6 TERMINALS SHOWN ABOVE



**P.C. BOARD LAYOUT FOR CONNECTOR SIZE 6
VIEWED FROM COMPONENT SIDE**

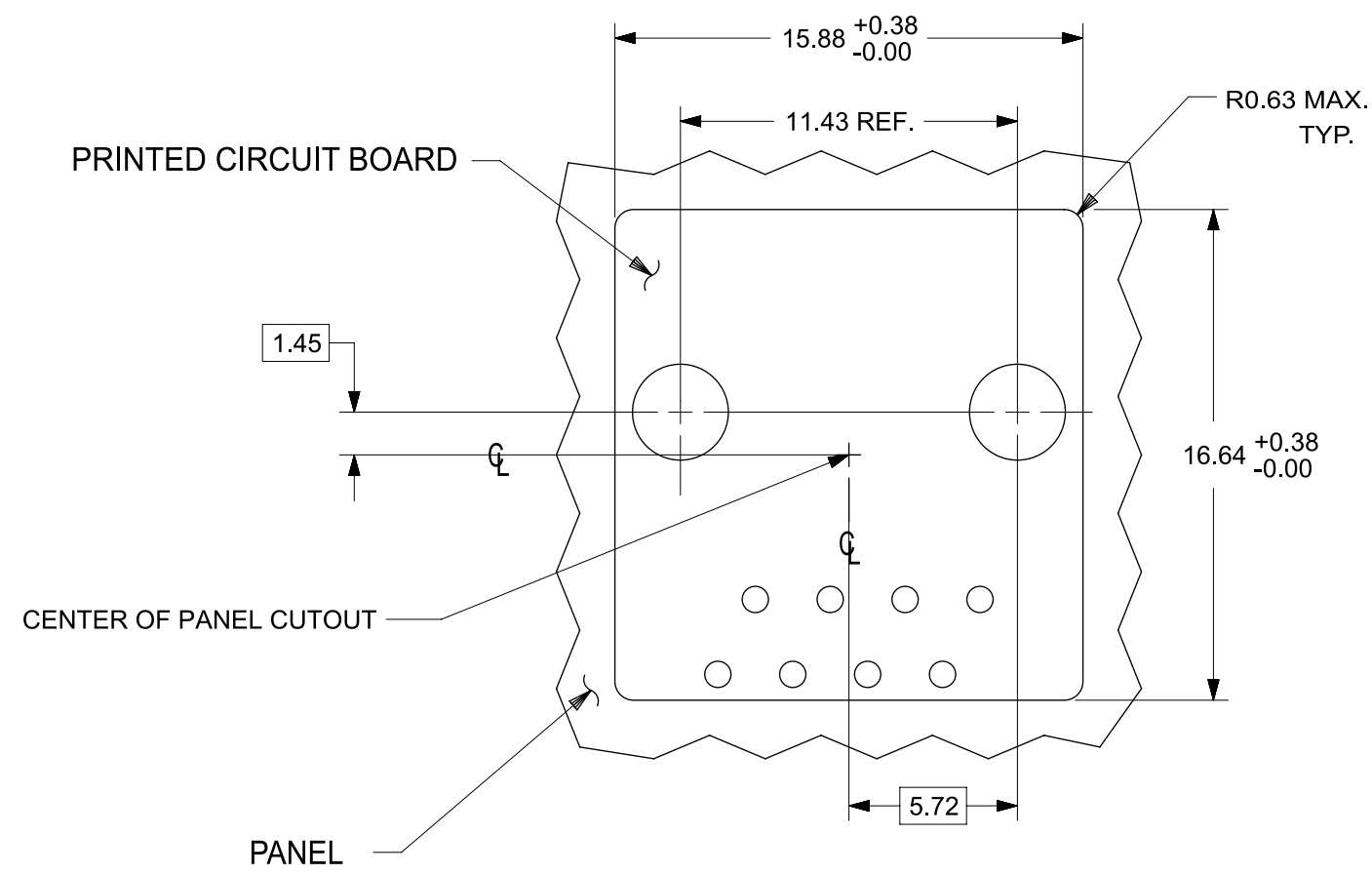
FUNCTIONAL SYMBOLS $F_A = 0$ $F_C = 0$ $F_P = 0$ DIVISIONAL SYMBOLS	THIS DRAWING CONTAINS INFORMATION THAT IS PROPRIETARY TO MOLEX ELECTRONIC TECHNOLOGIES, LLC AND SHOULD NOT BE USED WITHOUT WRITTEN PERMISSION DIMENSION UNITS: MM SCALE: 3:1 CURRENT REV DESC: Remove the call out in the tables for 3.18mm PCB thickness on all 3 pages. This product has been obsoleted	<p>ASSEMBLY; VERTICAL MODULAR JACKS</p> <p>PRODUCT CUSTOMER DRAWING</p>				
	GENERAL TOLERANCES (UNLESS SPECIFIED) ANGULAR TOL ± 0.5° 4 PLACES ± 3 PLACES ± 2 PLACES ± 0.250 1 PLACE ± 0.35 0 PLACES ±			STATUS: Production DRWN: Faye Wang CHK'D: Sean Mc Greevy APPR: Keith Lang	2026-02-24 2026-03-02 2026-03-02	
	DRAFT WHERE APPLICABLE MUST REMAIN WITHIN DIMENSIONS			THIRD ANGLE PROJECTION	DRAWING: C-SIZE SERIES: 42410	DOCUMENT NUMBER: 424108312 DOC TYPE: PSD DOC PART: 000 REVISION: N5
	MATERIAL NUMBER: SEE CHART CUSTOMER: GENERAL MARKET			SHEET NUMBER: 2 OF 3		

NOTES:

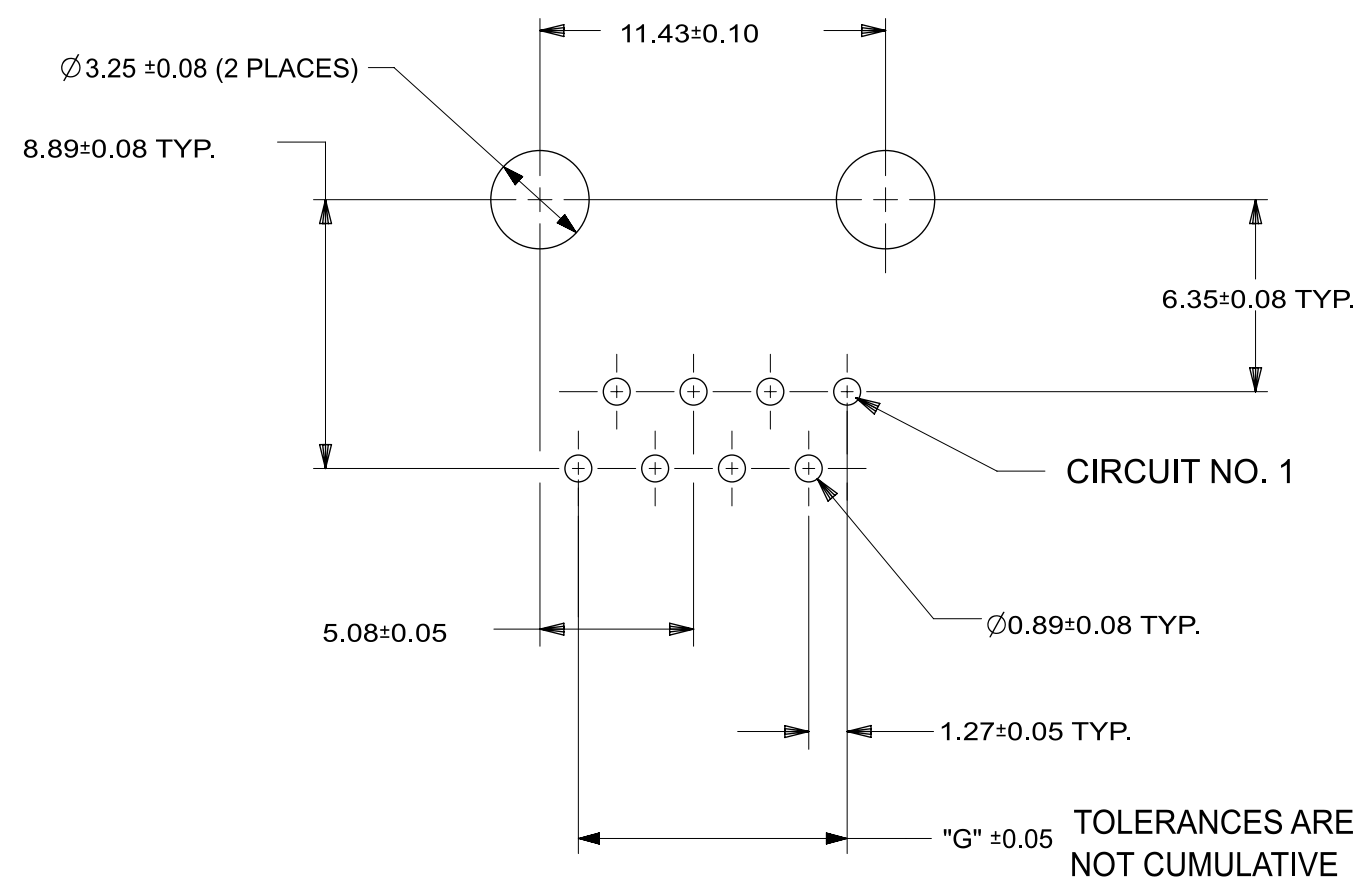
- 1) SEE SHEET 1 FOR ALL UNSEPCIFIED NOTES.
- 2) SEE SHEET 1 FOR CONNECTOR SIZE 4
- 3) SEE SHEET 2 FOR CONNECTOR SIZE 6
- 4) ALL JACKS MUST BE CAPABLE OF FITTING INTO MOLEX GAGE G-42410 (CONNECTOR SIZE 8)

P.C. BOARD THICKNESS	DIM. "D" (MTG. PEGS)	DIM. "F" (P.C. TAILS)
1.57	3.25	3.05 +0.38/-0.63

SIZE 8 VERTICAL MODJACK ASSEMBLIES							
"X"=NOT TOOLED	ASSEMBLY ITEM NUMBER	PART CHARACTERISTICS					
		EXTERNAL CONNECTOR SIZE	NUMBER OF POSITIONS	P.C. BOARD THICKNESS	KEYING OPTION	MOUNTING EARS OPTION	TERMINAL PLATING OPTION
	42410-8312	8 POS. BODY	8	1.57	NO	YES	A
	42410-8314	8 POS. BODY	8	1.57	NO	NO	A

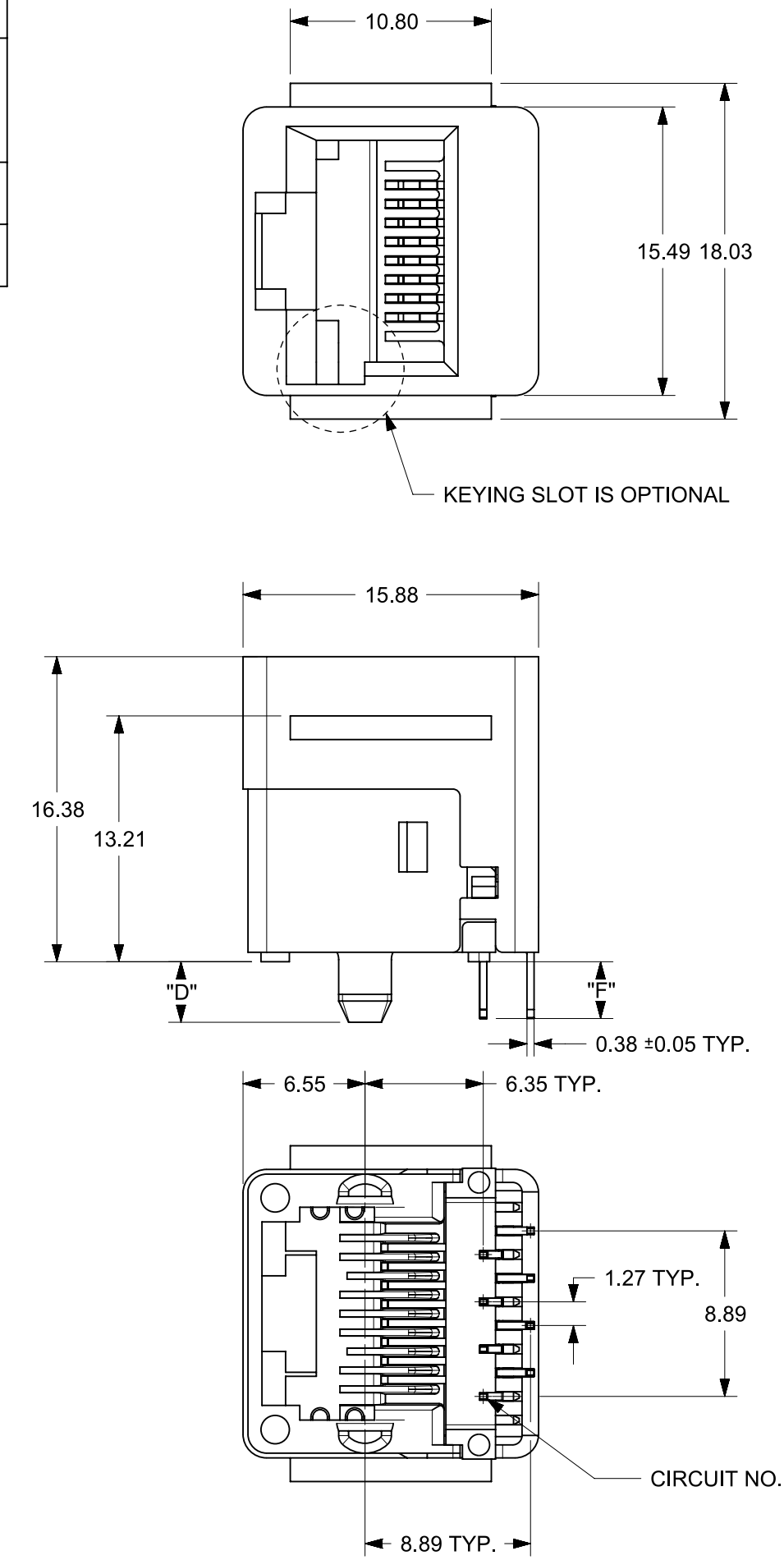
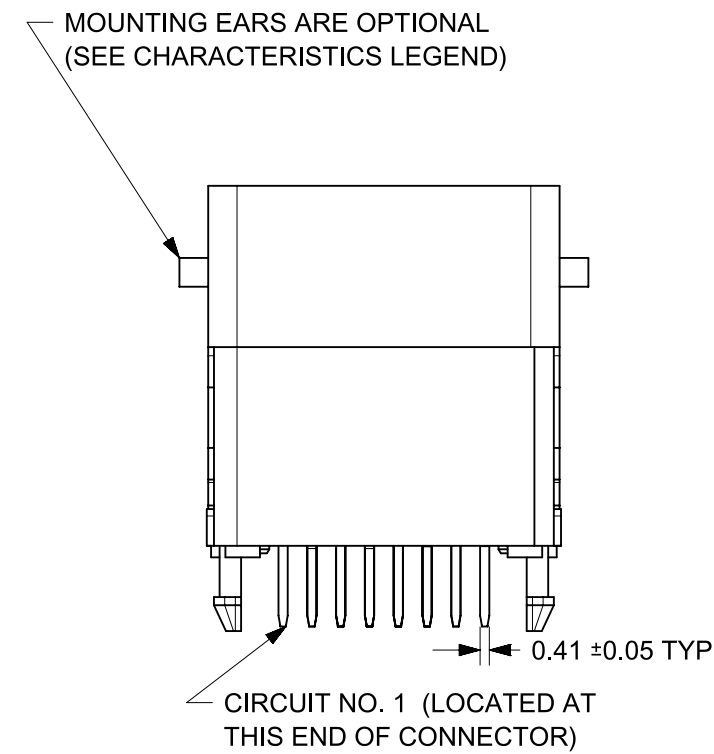


PANEL CUT-OUT FOR CONNECTOR SIZE 8



P.C. BOARD LAYOUT FOR CONNECTOR SIZE 8

VIEWED FROM COMPONENT SIDE



SIZE 8 MODULAR JACK LOADED WITH 8 TERMINALS SHOWN ABOVE

FUNCTIONAL SYMBOLS $F_A = 0$ $F_C = 0$ $F_P = 0$	THIS DRAWING CONTAINS INFORMATION THAT IS PROPRIETARY TO MOLEX ELECTRONIC TECHNOLOGIES, LLC AND SHOULD NOT BE USED WITHOUT WRITTEN PERMISSION		CURRENT REV DESC: Remove the call out in the tables for 3.18mm PCB thickness on all 3 pages. This product has been obsoleted	
	DIMENSION UNITS	SCALE		
	MM	3:1		
	GENERAL TOLERANCES (UNLESS SPECIFIED)			
ANGULAR TOL ± 0.5°				
4 PLACES ±				
3 PLACES ±				
2 PLACES ± 0.250				
1 PLACE ± 0.35				
0 PLACES ±				
DRAFT WHERE APPLICABLE MUST REMAIN WITHIN DIMENSIONS				
THIRD ANGLE PROJECTION				
DRAWING		SERIES		
C-SIZE		42410		
STATUS: Production		2026-02-24		
DRWN: Faye Wang		2026-03-02		
CHK'D: Sean Mc Greevy		2026-03-02		
APPR: Keith Lang				
DOCUMENT NUMBER		DOC TYPE DOC PART REVISION		
424108312		PSD 000 N5		
MATERIAL NUMBER		CUSTOMER		
SEE CHART		GENERAL MARKET		
SHEET NUMBER		3 OF 3		