

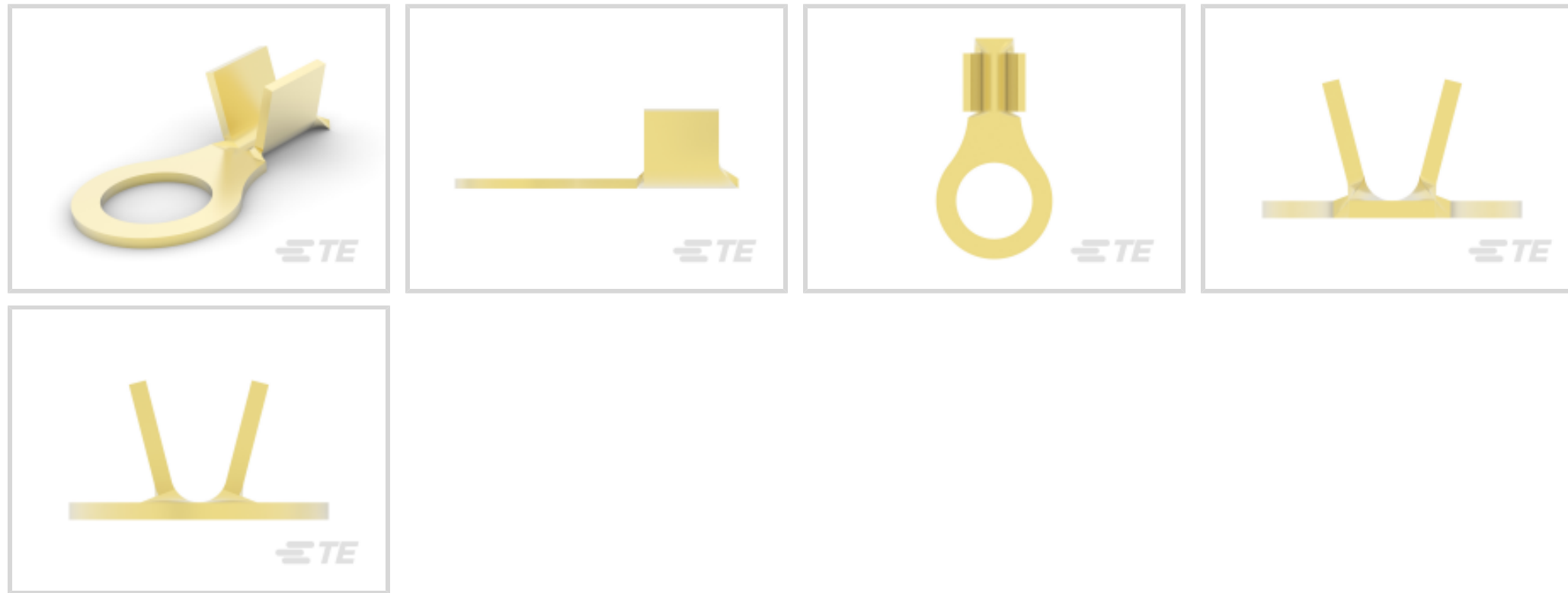
TE Internal #: 34839

Closed Ring Tongue Terminal, 18 – 14 AWG, #10 Stud Size, 4.82 mm [.19 in] Stud Diameter, Open Barrel, Straight, Unplated, Uninsulated

[View on TE.com >](#)



Terminals & Splices > Ring Terminals



Ring Terminal Product Type: **Closed Ring Tongue Terminal**

Wire Size: **1624 – 4106 CMA**

Stud Size: **#10**

Features

Product Type Features

Ring Terminal Product Type	Closed Ring Tongue Terminal
Stud Size	#10
Sealable	No
Compatible With Discrete Wire Type	Stranded
Wire Insulation Support Retention Type	Non-Insulation Support
Shape Description	Circular/Oval

Dimensions

Wire Size	1624 – 4106 CMA
Stud Diameter	4.82 mm [.19 in]
Tongue Thickness	.51 mm [.02 in]
Product Length	13.72 mm [.54 in]
Barrel Inside Diameter	1.65 mm [.065 in]

Contact Features

Barrel Type	Open
Terminal Orientation	Straight
Terminal Plating Material	Unplated



Contact Underplating Material	None
-------------------------------	------

Contact Base Material	Brass
-----------------------	-------

Usage Conditions

Insulation Option	Uninsulated
-------------------	-------------

Operating Temperature Range	-40 – 110 °C[-40 – 230 °F]
-----------------------------	----------------------------

Operation/Application

Compatible With Wire Base Material	Copper
------------------------------------	--------

Packaging Features

Packaging Method	Strip/Reel
------------------	------------

Packaging Quantity	20000
--------------------	-------

Other

EU RoHS Compliance	Compliant
--------------------	-----------

EU ELV Compliance	Compliant
-------------------	-----------

Configuration Features

Number of Holes	1
-----------------	---

Body Features

Product Weight	.361 g
----------------	--------

Mechanical Attachment

Wire Insulation Support	Without
-------------------------	---------

Industry Standards

Government Qualified Terminal	No
-------------------------------	----

Product Compliance

[For compliance documentation, visit the product page on TE.com>](#)

EU RoHS Directive 2011/65/EU	Compliant
------------------------------	-----------

EU ELV Directive 2000/53/EC	Compliant
-----------------------------	-----------

China RoHS 2 Directive MIIT Order No 32, 2016	No Restricted Materials Above Threshold
---	---

EU REACH Regulation (EC) No. 1907/2006	Current ECHA Candidate List: JUNE 2024 (241) Candidate List Declared Against: JUNE 2024 (241) Does not contain REACH SVHC
--	---

Halogen Content	Low Halogen - Br, Cl, F, I < 900 ppm per
-----------------	--



homogenous material. Also BFR/CFR/PVC Free

Solder Process Capability

Not applicable for solder process capability

Product Compliance Disclaimer

This information is provided based on reasonable inquiry of our suppliers and represents our current actual knowledge based on the information they provided. This information is subject to change. The part numbers that TE has identified as EU RoHS compliant have a maximum concentration of 0.1% by weight in homogenous materials for lead, hexavalent chromium, mercury, PBB, PBDE, DBP, BBP, DEHP, DIBP, and 0.01% for cadmium, or qualify for an exemption to these limits as defined in the Annexes of Directive 2011/65/EU (RoHS2). Finished electrical and electronic equipment products will be CE marked as required by Directive 2011/65/EU. Components may not be CE marked. Additionally, the part numbers that TE has identified as EU ELV compliant have a maximum concentration of 0.1% by weight in homogenous materials for lead, hexavalent chromium, and mercury, and 0.01% for cadmium, or qualify for an exemption to these limits as defined in the Annexes of Directive 2000/53/EC (ELV). Regarding the REACH Regulation, the information TE provides on SVHC in articles for this part number is based on the latest European Chemicals Agency (ECHA) 'Guidance on requirements for substances in articles' posted at this URL: <https://echa.europa.eu/guidance-documents/guidance-on-reach>

Compatible Parts



TE Part # 61435-1
RING 18-14 AWG .020 X .500 BR



TE Part # 1-61795-0
RING 18-14 105-145 #10 025TPBR



TE Part # 2150736-1
OCEAN-2.0-APPLICATOR-E-120F-REM



TE Part # 2150736-2
OCEAN-2.0-APPLICATOR-E-120FA-REA



TE Part # 61463-1
RING EXTRUDED 24-20 0126BR



KIT
TE Part # 7-2150736-7
OCEAN_2.0_SPARE_PART_KIT-120F

Customers Also Bought



TE Part #62998-2
250 FSATON REC 10-8 AWG TPBR



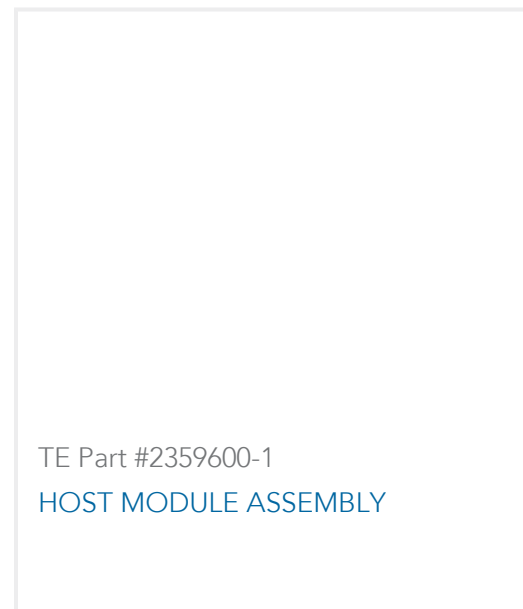
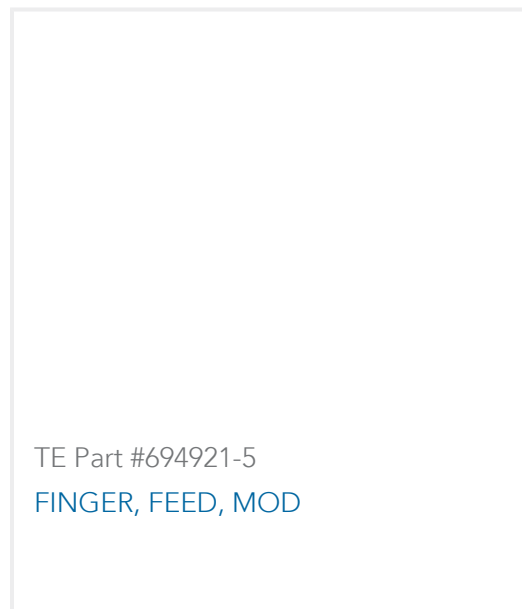
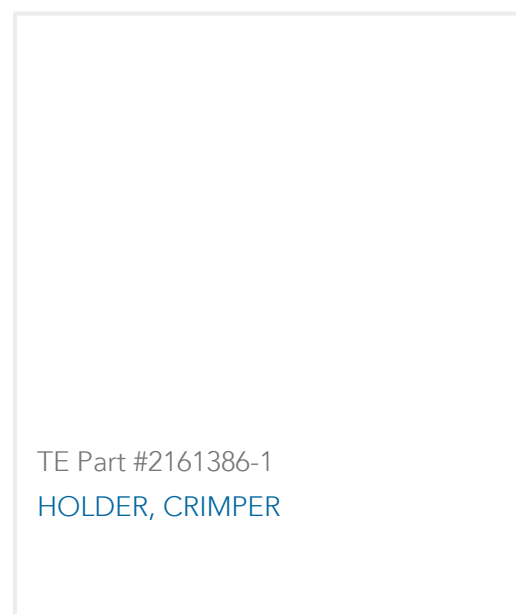
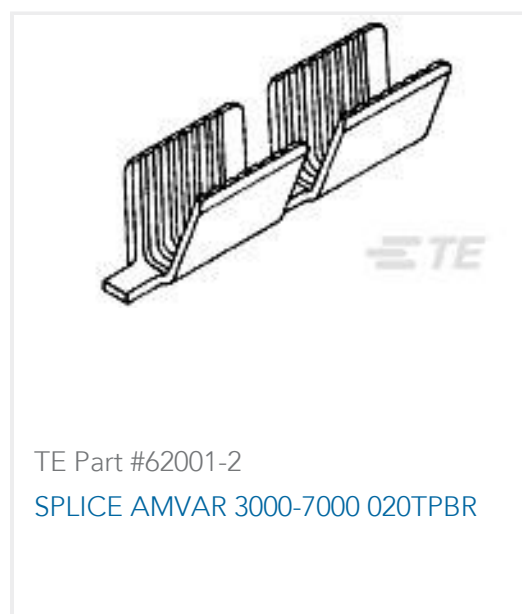
TE Part #60851-1
250 FASTON REC 12-10 AWG TPBR



TE Part #42801-1
187 FASTON REC 20-16 AWG BR



TE Part #63508-1
250 FASTON FLAG REC 18-14 AWG BR



Documents

Product Drawings

RING TERMINAL 18-14 AWG BR

English

CAD Files

3D PDF

3D

Customer View Model

[ENG_CVM_CVM_34839_BK_c-34839-bk.2d_dxf.zip](#)

English

Customer View Model

[ENG_CVM_CVM_34839_BK_c-34839-bk.3d_igs.zip](#)

English

Customer View Model

[ENG_CVM_CVM_34839_BK_c-34839-bk.3d_stp.zip](#)

English

By downloading the CAD file I accept and agree to the [Terms and Conditions](#) of use.

Product Specifications

Application Specification

English