

174200-1 ✓ ACTIVE

FASTON | FASTON 250

TE Internal #: 174200-1

Tab, Tab Housing, 3 Position, Straight, Natural, Polyamide, Contact Mating Retention, Mating Alignment, FASTON 250, Crimp Terminal Housings

[View on TE.com >](#)



Terminals & Splices > Terminal Housings, Insulation Sleeves & Blocks > Crimp Terminal Housings



Terminal Type: **Tab**

Connector & Housing Type: **Tab Housing**

Number of Positions: **3**

Terminal Orientation: **Straight**

Primary Product Color: **Natural**

Features

Contact Features

Terminal Type	Tab
Terminal Orientation	Straight
Contact Mating Retention	With

Product Type Features

Connector & Housing Type	Tab Housing
Sealable	No

Configuration Features

Number of Positions	3
---------------------	---

Body Features

Primary Product Color	Natural
-----------------------	---------

Housing Features

Housing Material	Polyamide
------------------	-----------

Mechanical Attachment



Mating Alignment	With
Connector Mounting Type	Cable Mount (Free-Hanging)
Mating Retention Type	Latch

Usage Conditions

Operating Temperature Range	-40 – 105 °C[-40 – 221 °F]
-----------------------------	----------------------------

Other

EU RoHS Compliance	Compliant
EU ELV Compliance	Compliant

Dimensions

Product Length	25 mm[.984 in]
----------------	----------------

Product Compliance

[For compliance documentation, visit the product page on TE.com>](#)

EU RoHS Directive 2011/65/EU	Compliant
EU ELV Directive 2000/53/EC	Compliant
China RoHS 2 Directive MIIT Order No 32, 2016	No Restricted Materials Above Threshold
EU REACH Regulation (EC) No. 1907/2006	Current ECHA Candidate List: JUNE 2024 (241) Candidate List Declared Against: JUNE 2024 (241) Does not contain REACH SVHC
Halogen Content	Low Halogen - Br, Cl, F, I < 900 ppm per homogenous material. Also BFR/CFR/PVC Free
Solder Process Capability	Not reviewed for solder process capability

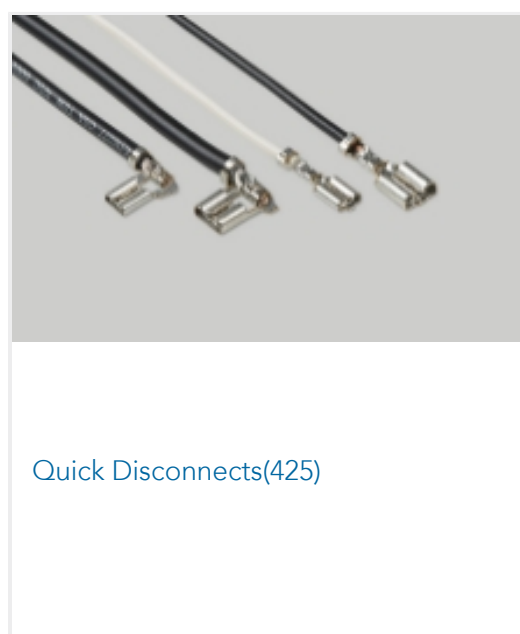
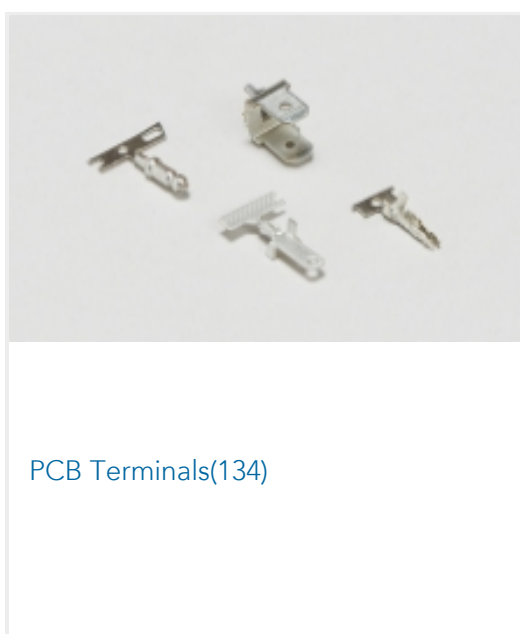
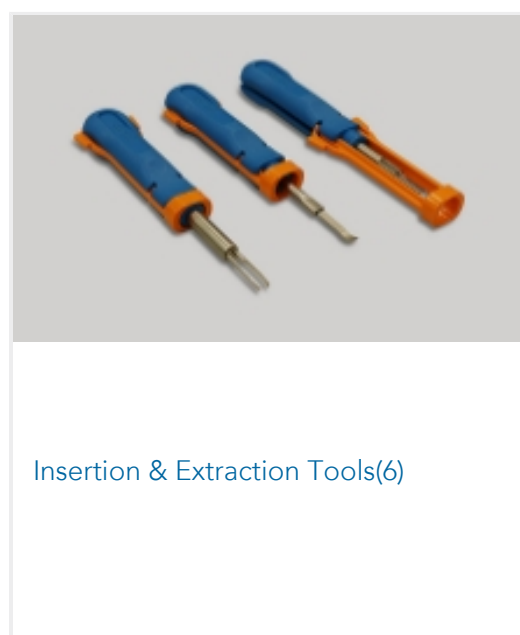
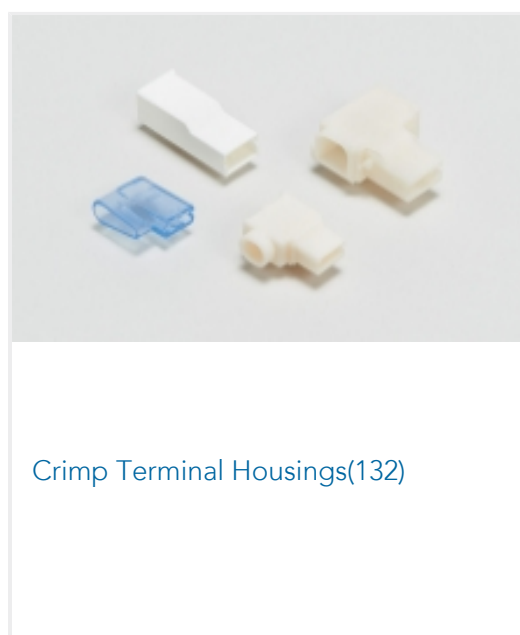
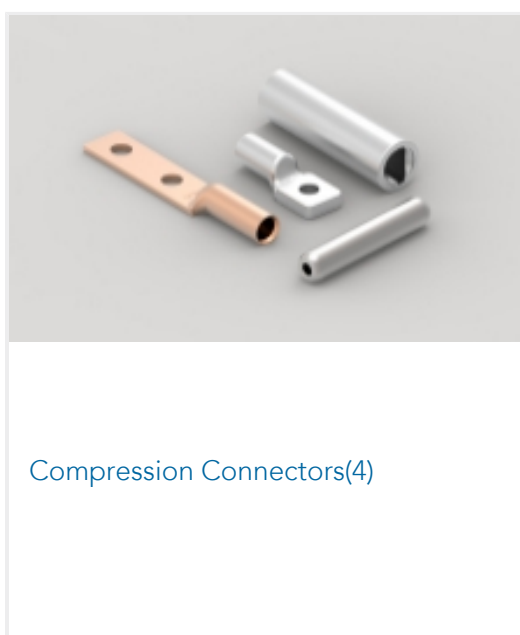
Product Compliance Disclaimer

This information is provided based on reasonable inquiry of our suppliers and represents our current actual knowledge based on the information they provided. This information is subject to change. The part numbers that TE has identified as EU RoHS compliant have a maximum concentration of 0.1% by weight in homogenous materials for lead, hexavalent chromium, mercury, PBB, PBDE, DBP, BBP, DEHP, DIBP, and 0.01% for cadmium, or qualify for an exemption to these limits as defined in the Annexes of Directive 2011/65/EU (RoHS2). Finished electrical and electronic equipment products will be CE marked as required by Directive 2011/65/EU. Components may not be CE marked. Additionally, the part numbers that TE has identified as EU ELV compliant have a maximum concentration of 0.1% by weight in homogenous materials for lead, hexavalent chromium, and mercury, and 0.01% for cadmium, or qualify for an exemption to these limits as defined in the Annexes of Directive 2000/53/EC (ELV). Regarding the REACH Regulation, the information TE provides on SVHC in articles for this part number is based on the latest European Chemicals Agency (ECHA) 'Guidance on requirements for substances in articles' posted at this URL: <https://echa.europa.eu/guidance-documents/guidance-on-reach>

Compatible Parts



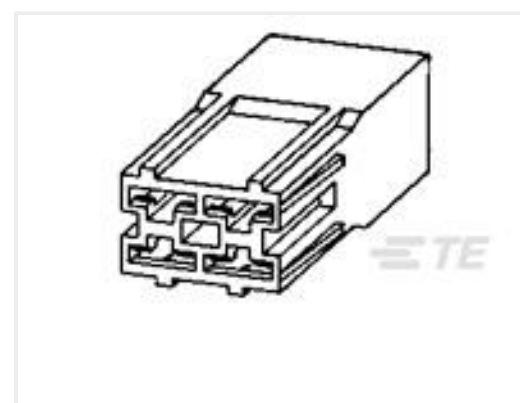
Also in the Series | **FASTON 250**



Customers Also Bought



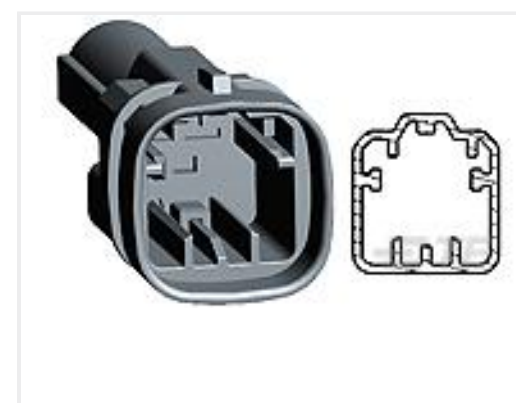
TE Part #1-967625-5
Timer Connector Housing



TE Part #280073
FF 375 REC HSG 4P NYLON NAT



TE Part #1-172131-1
FF 250 CAP HSG 3P NYLON NAT



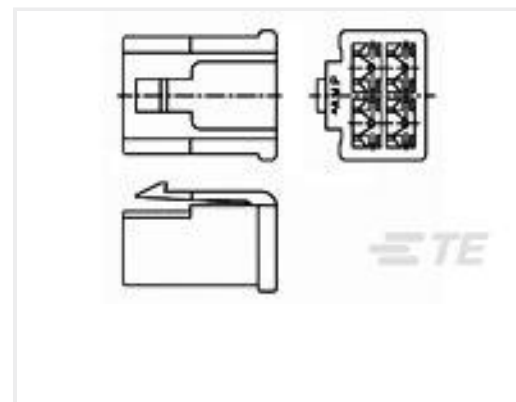
TE Part #1544606-1
TAB HOUSING, 8MM NG1, 1 WAY



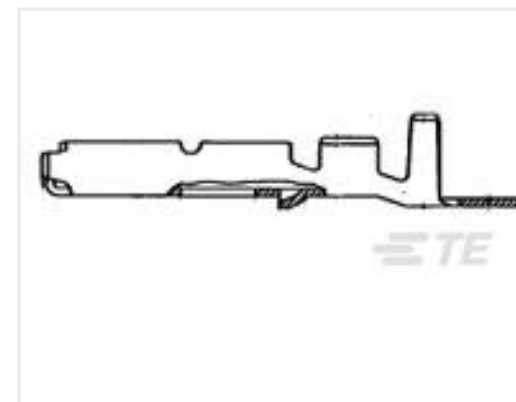
TE Part #2350495-2
HVA280 inner ferrule



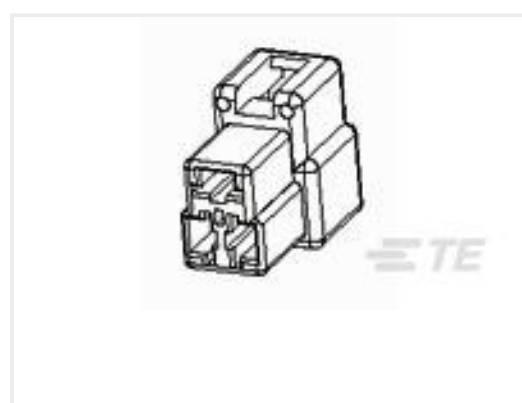
TE Part #2404135-3
FAMILY SEAL,HVA 280,2P CABLE SEAL,SIZE C



TE Part #174202-1
250 FASTON HSG.,REC.,4 POS, NATRUAL



TE Part #172775-1
MIC MK-2 REC B TYPE



TE Part #174199-1
250 FASTON HSG.,REC.,3 POS, NATRUAL

Documents

Product Drawings

[250 FASTON HSG.,REC.,3 POS,NATRUAL](#)

English

CAD Files

[3D PDF](#)

3D

Customer View Model

[ENG_CVM_CVM_174200-1_O_c-174200-1-o.2d_dxf.zip](#)

English

Customer View Model

[ENG_CVM_CVM_174200-1_O_c-174200-1-o.3d_igs.zip](#)

English

Customer View Model

[ENG_CVM_CVM_174200-1_O_c-174200-1-o.3d_stp.zip](#)

English

By downloading the CAD file I accept and agree to the [Terms and Conditions](#) of use.

Product Specifications



[.110,.187 & 250 Series FASTON Terminals](#)

English

[Product Specification](#)

English