

1-776180-4 ✓ ACTIVE

AMP | AMPSEAL

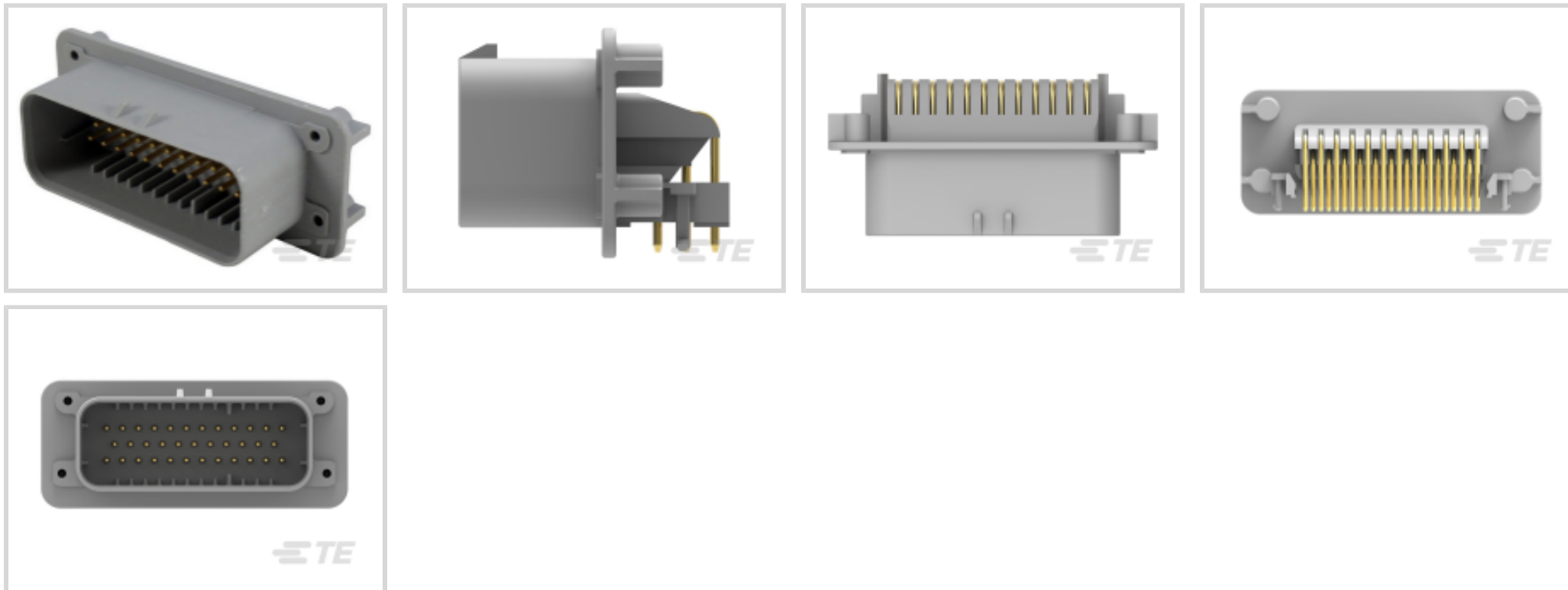
TE Internal #: 1-776180-4

PCB Mount Header, Right Angle, Wire-to-Board, 35 Position, 4 mm [.157 in] Centerline, Fully Shrouded, Gold, Through Hole - Solder, Sealable, AMPSEAL

[View on TE.com >](#)



Connectors > PCB Connectors > PCB Headers & Receptacles > AMPSEAL PCB Right-Angle Headers



EU RoHS Compliance: **Compliant**

EU ELV Compliance: **Compliant**

PCB Connector Assembly Type: **PCB Mount Header**

PCB Mount Orientation: **Right Angle**

Connector System: **Wire-to-Board**

[All AMPSEAL PCB Right-Angle Headers \(63\)](#)

Features

Other

EU RoHS Compliance	Compliant
EU ELV Compliance	Compliant

Product Type Features

PCB Connector Assembly Type	PCB Mount Header
Connector System	Wire-to-Board
Header Type	Fully Shrouded
Sealable	Yes
Connector & Contact Terminates To	Printed Circuit Board

Configuration Features

PCB Mount Orientation	Right Angle
Number of Positions	35
Number of Rows	3



Body Features

Connector & Keying Code	4
Primary Product Color	Gray

Contact Features

Contact Mating Area Plating Material	Gold
Contact Type	Pin
Contact Current Rating (Max)	17 A

Termination Features

Termination Method to PCB	Through Hole - Solder
---------------------------	-----------------------

Mechanical Attachment

PCB Mount Retention	With
PCB Mount Alignment	With
Connector Mounting Type	Board Mount
Mating Alignment	With

Housing Features

Centerline (Pitch)	4 mm [.157 in]
--------------------	----------------

Usage Conditions

Operating Temperature Range	-40 – 125 °C [-40 – 257 °F]
-----------------------------	-----------------------------

Operation/Application

Circuit Application	Power & Signal
---------------------	----------------

Industry Standards

IP Rating	IP6K7
UL Flammability Rating	UL 94V-0

Packaging Features

Packaging Method	Tray
------------------	------

Product Compliance

For compliance documentation, visit the product page on [TE.com](https://www.te.com)>

EU RoHS Directive 2011/65/EU	Compliant
EU ELV Directive 2000/53/EC	Compliant
China RoHS 2 Directive MIIT Order No 32, 2016	No Restricted Materials Above Threshold



EU REACH Regulation (EC) No. 1907/2006

Current ECHA Candidate List: JUNE 2024 (241)

Candidate List Declared Against: JUNE 2024 (241)

Does not contain REACH SVHC

Halogen Content

Not Low Halogen - contains Br or Cl > 900 ppm.

Solder Process Capability

Wave solder capable to 265°C

Product Compliance Disclaimer

This information is provided based on reasonable inquiry of our suppliers and represents our current actual knowledge based on the information they provided. This information is subject to change. The part numbers that TE has identified as EU RoHS compliant have a maximum concentration of 0.1% by weight in homogenous materials for lead, hexavalent chromium, mercury, PBB, PBDE, DBP, BBP, DEHP, DIBP, and 0.01% for cadmium, or qualify for an exemption to these limits as defined in the Annexes of Directive 2011/65/EU (RoHS2). Finished electrical and electronic equipment products will be CE marked as required by Directive 2011/65/EU. Components may not be CE marked. Additionally, the part numbers that TE has identified as EU ELV compliant have a maximum concentration of 0.1% by weight in homogenous materials for lead, hexavalent chromium, and mercury, and 0.01% for cadmium, or qualify for an exemption to these limits as defined in the Annexes of Directive 2000/53/EC (ELV). Regarding the REACH Regulation, the information TE provides on SVHC in articles for this part number is based on the latest European Chemicals Agency (ECHA) 'Guidance on requirements for substances in articles' posted at this URL: <https://echa.europa.eu/guidance-documents/guidance-on-reach>

Compatible Parts



TE Part # CAT-AM78-CH8172
AMPSEAL Receptacle Housings




TE Part # 2374209-4
FACIAL SEAL, AMPSEAL, 35 POSITION, HEADER


Also in the Series | AMPSEAL




Automotive Connector Locks & Position Assurance(1)



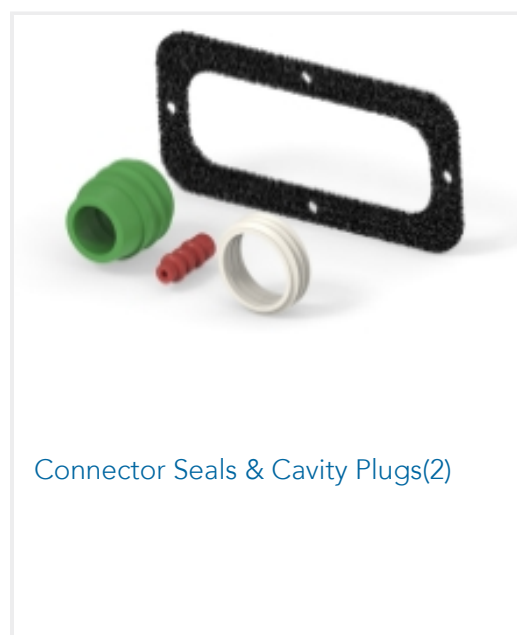
Automotive Housings(31)



Automotive Terminals(8)



Connector Backshells(4)

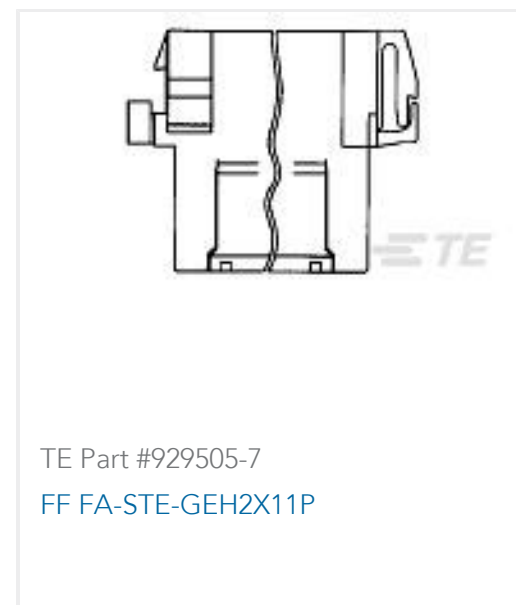
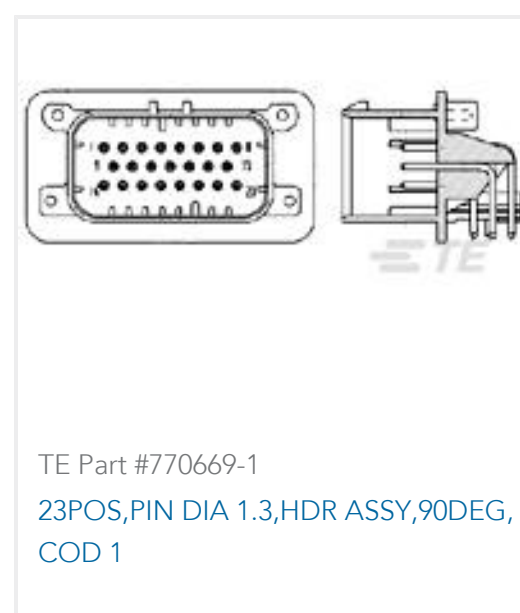


Connector Seals & Cavity Plugs(2)



PCB Headers & Receptacles(120)

Customers Also Bought

TE Part #HDP24-18-14SE-L017
REC, 14P, BLK, E, RNG, 16, STE Part #T4133012051-000
M12 Panel Mount Solder CupsTE Part #929505-7
FF FA-STE-GEH2X11PTE Part #TAD14841111-005
M12D4-MS-MR-PVC TYPE B-5.0MTE Part #1-1734839-8
FPC CONN. 0.5MM PITCH T/C,18PTE Part #770669-1
23POS,PIN DIA 1.3,HDR ASSY,90DEG,
COD 1TE Part #1060-16-0122-PS
PIN, SF, SIZE 16, 14-18, NI/SN, 100 PCTE Part #1062-16-0122-PS
SOC, SF, SIZE 16, 14-18, NI/SN, 100 PC

Documents

Product Drawings

[35POS,AMPSEAL,PIN HSG ASSY,SLD,COD 4](#)

English

CAD Files

[3D PDF](#)

3D

Customer View Model

[ENG_CVM_CVM_1-776180-4_M.2d_dxf.zip](#)

English

Customer View Model

[ENG_CVM_CVM_1-776180-4_M.3d_igs.zip](#)

English

Customer View Model

[ENG_CVM_CVM_1-776180-4_M.3d_stp.zip](#)

English

By downloading the CAD file I accept and agree to the [Terms and Conditions](#) of use.



Datasheets & Catalog Pages

AMPSEAL Connector Series

English

AMPSEAL Connector Catalog

English

ICT Terminals and Connectors Catalogue

English

Product Specifications

Application Specification

English

Agency Approvals

UL Report

English