

55680-2 ✓ ACTIVE

PLASTI-GRIP

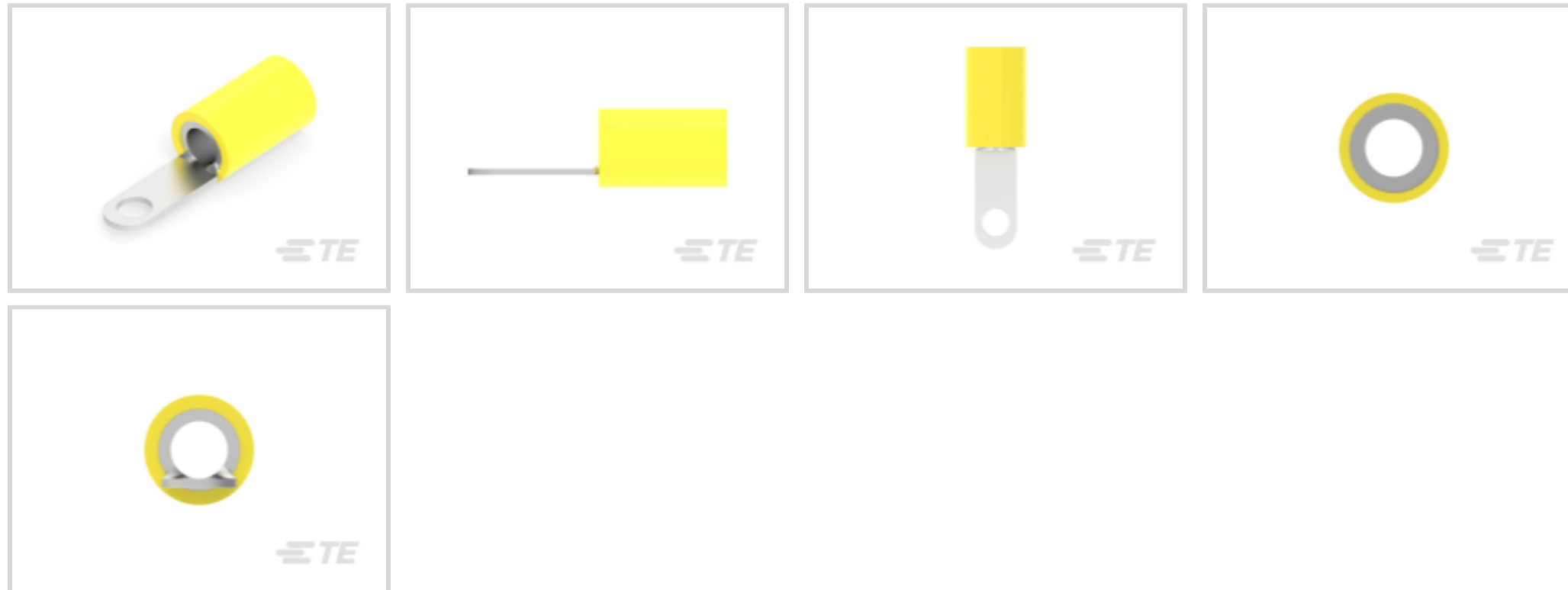
TE Internal #: 55680-2

Closed Ring Tongue Terminal, 4 AWG, 1/4 / M6 Stud Size, 6.35 mm [.25 in] Stud Diameter, Closed Barrel, Straight, Tin, Partially Insulated, PLASTI-GRIP

[View on TE.com >](#)



Terminals & Splices > Ring Terminals



Ring Terminal Product Type: **Closed Ring Tongue Terminal**

Wire Size: **33100 – 52600 CMA**

Stud Size: **1/4, M6**

Features

Product Type Features

Ring Terminal Product Type	Closed Ring Tongue Terminal
Stud Size	1/4, M6
Sealable	No
Wire Insulation Support Retention Type	Insulation Support

Dimensions

Wire Size	33100 – 52600 CMA
Stud Diameter	6.35 mm[.25 in]
Tongue Thickness	1.22 mm[.048 in]
Product Length	48.95 mm[1.927 in]
Compatible Insulation Diameter (Max)	11.43 mm[.45 in]
Compatible Insulation Diameter Range	11.43 mm[.45 in]

Contact Features

Barrel Type	Closed
Terminal Orientation	Straight
Terminal Plating Material	Tin



Usage Conditions

Insulation Option	Partially Insulated
Operating Temperature Range	105 °C[221 °F]

Operation/Application

Compatible With Wire Base Material	Copper
Compatible With Wire Plating Material	Tin

Packaging Features

Packaging Method	Tape Mounted
Packaging Quantity	500

Other

EU RoHS Compliance	Compliant
EU ELV Compliance	Compliant

Electrical Characteristics

Voltage Rating	600 V
----------------	-------

Mechanical Attachment

Wire Insulation Support	With
-------------------------	------

Industry Standards

Government Qualified Terminal	No
-------------------------------	----

Product Compliance

[For compliance documentation, visit the product page on TE.com>](#)

EU RoHS Directive 2011/65/EU	Compliant
EU ELV Directive 2000/53/EC	Compliant
China RoHS 2 Directive MIIT Order No 32, 2016	No Restricted Materials Above Threshold
EU REACH Regulation (EC) No. 1907/2006	Current ECHA Candidate List: JUNE 2024 (241) Candidate List Declared Against: JUNE 2024 (241) Does not contain REACH SVHC
Halogen Content	Not Low Halogen - contains Br or Cl > 900 ppm.
Solder Process Capability	Not applicable for solder process capability

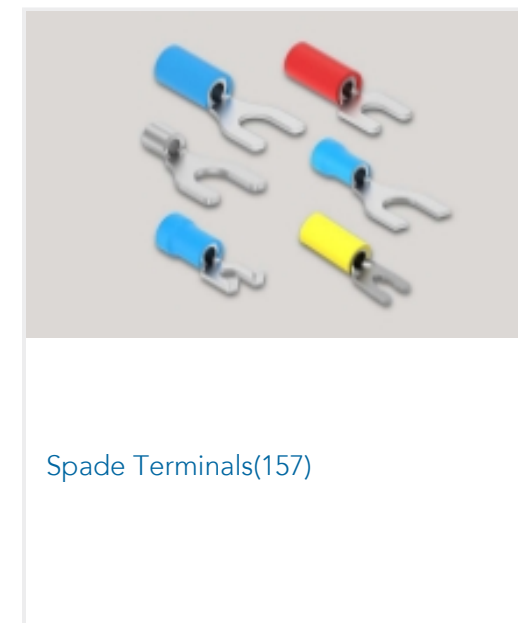
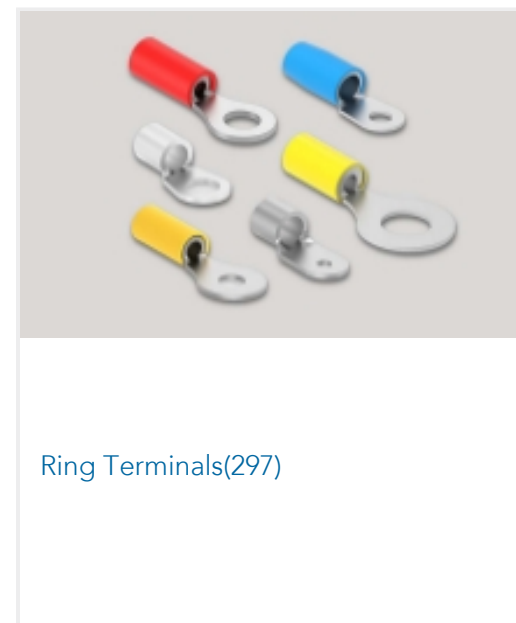
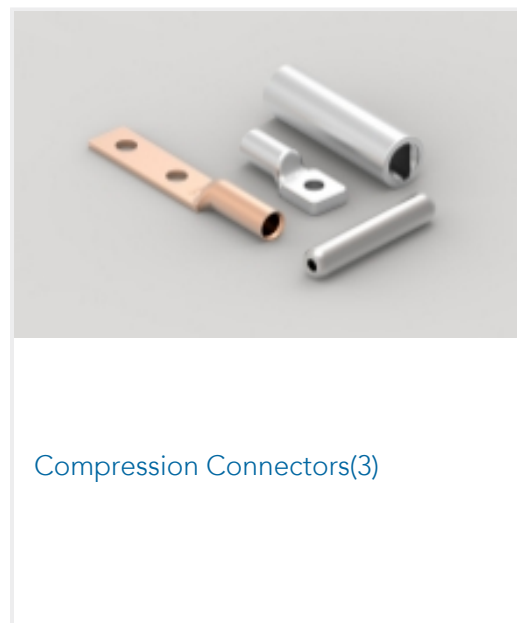
Product Compliance Disclaimer

This information is provided based on reasonable inquiry of our suppliers and represents our current actual knowledge based on the information they provided. This information is subject to change. The part numbers that TE has identified as EU RoHS compliant have a maximum concentration of 0.1% by weight in homogenous materials for lead, hexavalent chromium, mercury, PBB, PBDE, DBP, BBP, DEHP, DIBP, and 0.01% for cadmium, or qualify for an exemption to these limits as defined in the Annexes of Directive 2011/65/EU (RoHS2). Finished electrical and electronic equipment products will be CE marked as required by Directive 2011/65/EU. Components may not be CE marked. Additionally, the part numbers that TE has identified as EU ELV compliant have a maximum concentration of 0.1% by weight in homogenous materials for lead, hexavalent chromium, and mercury, and 0.01% for cadmium, or qualify for an exemption to these limits as defined in the Annexes of Directive 2000/53/EC (ELV). Regarding the REACH Regulation, the information TE provides on SVHC in articles for this part number is based on the latest European Chemicals Agency (ECHA) 'Guidance on requirements for substances in articles' posted at this URL: <https://echa.europa.eu/guidance-documents/guidance-on-reach>

Compatible Parts



Also in the Series | PLASTI-GRIP



Customers Also Bought



TE Part #338095-6
MICRO-MATCH COSIHSG



TE Part #338097-1
MICRO-MATCH COSICNT



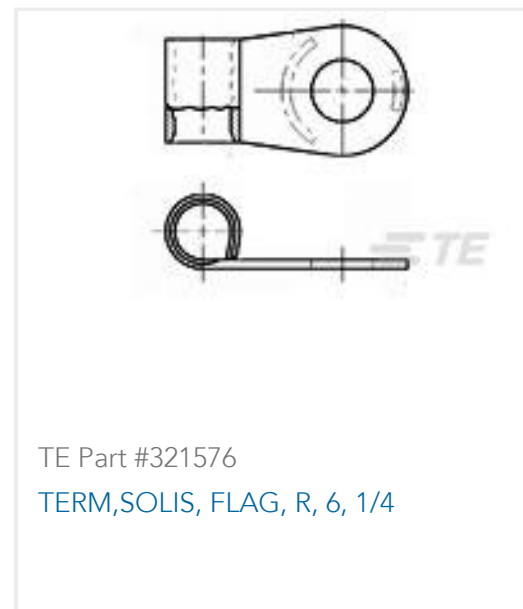
TE Part #91501-1
CCII MICRO MNL REC 24-20 ASSY



TE Part #52043-3
TERMINAL R PG 4 1/4



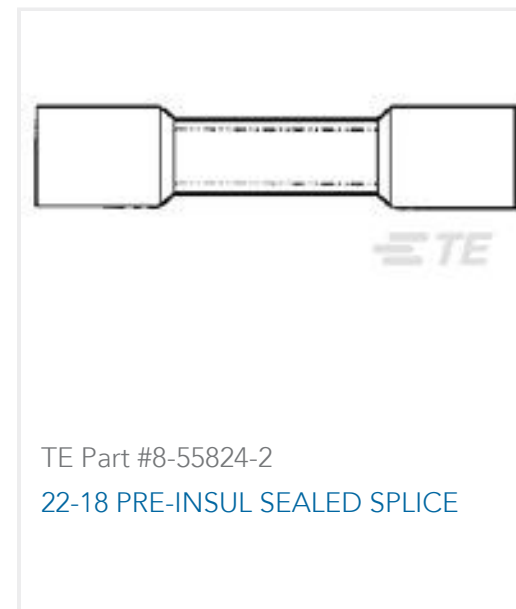
TE Part #2-794617-0
20POS, MICRO MNL, RCPT HSG



TE Part #321576
TERM, SOLIS, FLAG, R, 6, 1/4



TE Part #160293
PLASTI-GRIP, RING, 12-10 5MM



TE Part #8-55824-2
22-18 PRE-INSUL SEALED SPLICE



TE Part #91502-1
CCII MICRO MNL REC 30-26 ASSY



TE Part #8-33465-2
TERMINAL, SOLIS R 6 1/4

Documents

Product Drawings

[TERMINAL R PG 4 1/4](#)

English

CAD Files

[3D PDF](#)

3D

Customer View Model

[ENG_CVM_CVM_55680-2_G.2d_dxf.zip](#)

English

Customer View Model

[ENG_CVM_CVM_55680-2_G.3d_igs.zip](#)

English

Customer View Model

[ENG_CVM_CVM_55680-2_G.3d_stp.zip](#)

English

By downloading the CAD file I accept and agree to the [Terms and Conditions](#) of use.

Product Specifications



Application Specification

English

Instruction Sheets

Instruction Sheet (U.S.)

English