



**CHAMP | CHAMP Docking Connectors**

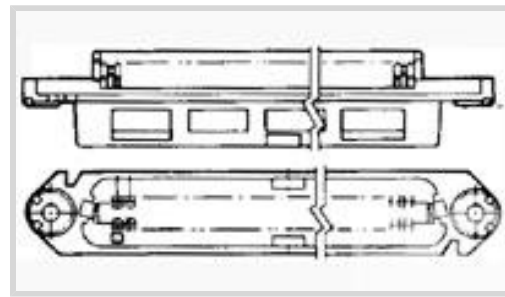
TE Internal #: 2-552275-1

TE Internal Description: ASSY, RCPT, 36 POS, B SLOT

IDC D-Sub: Receptacle Assembly, Signal, 2.16 mm

[View on TE.com >](#)

Connectors > D-Shaped Connectors > D-Sub Connectors > IDC D-Sub Connectors > IDC D-Sub: Receptacle Assembly, Signal, 2.16 mm



Connector & Housing Type: **Receptacle**

Solid Wire Size: **26 – 24 AWG**

Stranded Wire Size: **24 AWG**

[All IDC D-Sub: Receptacle Assembly, Signal, 2.16 mm \(15\)](#)

**Features**

**Product Type Features**

Connector & Housing Type	Receptacle
Connector System	Cable-to-Cable
Connector Product Type	Connector Assembly
Connector & Contact Terminates To	Wire & Cable

**Dimensions**

Solid Wire Size	26 – 24 AWG
Stranded Wire Size	24 AWG
Wire Size	26 – 24 AWG
Compatible Insulation Diameter (Max)	1.14 mm[.045 in]

**Operation/Application**

Shielded	No
Circuit Application	Signal

**Configuration Features**

Number of Positions	36
Number of Rows	2
Compatible With Wire & Cable Type	Discrete Wire, Round Jacketed Cable

**Housing Features**

Centerline (Pitch)	2.16 mm[.085 in]
Housing Material	Thermoplastic

### Contact Features

Contact Current Rating (Max)	3.5 A
Contact Underplating Material	Palladium Nickel
Contact Mating Area Plating Material	Gold Flash, Gold
Contact Base Material	Copper Alloy
Contact Mating Area Plating Material Thickness	.76 µm[30 µin]
Contact Options	Installed

### Mechanical Attachment

Connector Mounting Type	Cable Mount (Free-Hanging)
Mating Retention	With
Mating Retention Type	Bail Lock, Screwlocks

### Usage Conditions

Operating Temperature Range	-40 – 75 °C[-40 – 167 °F]
-----------------------------	---------------------------

### Other

EU RoHS Compliance	Compliant
EU ELV Compliance	Compliant

### Body Features

Primary Product Color	Black
Connector Profile	Standard

### Termination Features

Termination Method to Wire & Cable	Insulation Displacement (IDC)
------------------------------------	-------------------------------

### Packaging Features

Packaging Method	Package, Box & Tray
Packaging Quantity	100

### Product Compliance

[For compliance documentation, visit the product page on TE.com>](#)

EU RoHS Directive 2011/65/EU	Compliant
EU ELV Directive 2000/53/EC	Compliant
China RoHS 2 Directive MIIT Order No 32, 2016	No Restricted Materials Above Threshold
EU REACH Regulation (EC) No. 1907/2006	Current ECHA Candidate List: JUNE 2024 (241)

Candidate List Declared Against: JAN 2024  
(240)

Does not contain REACH SVHC

Halogen Content

Low Bromine/Chlorine - Br and Cl < 900 ppm per homogenous material. Also BFR /CFR/PVC Free

Solder Process Capability

Not applicable for solder process capability

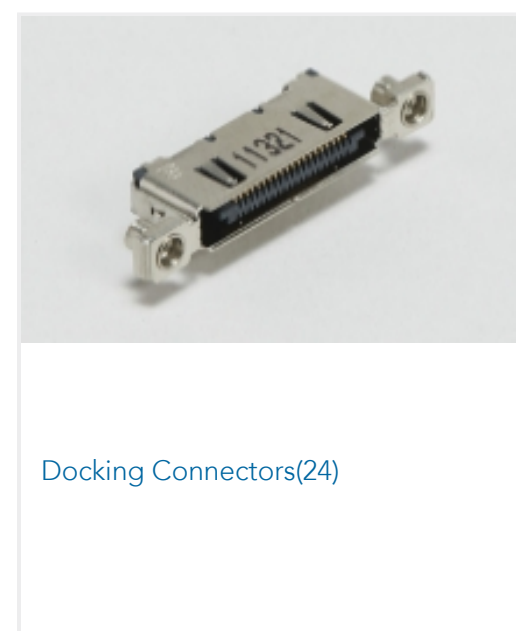
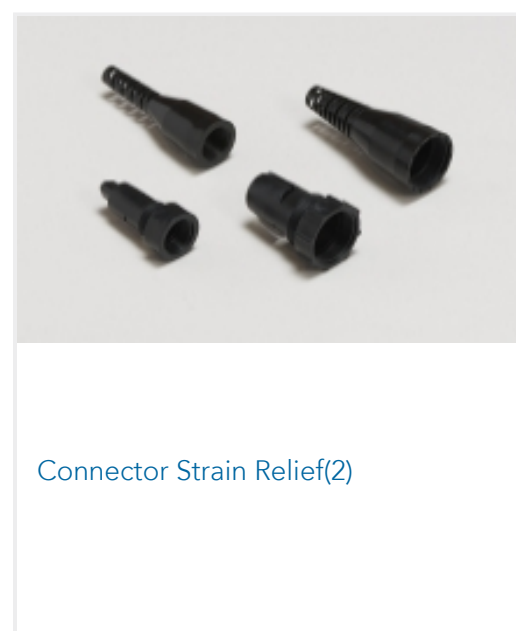
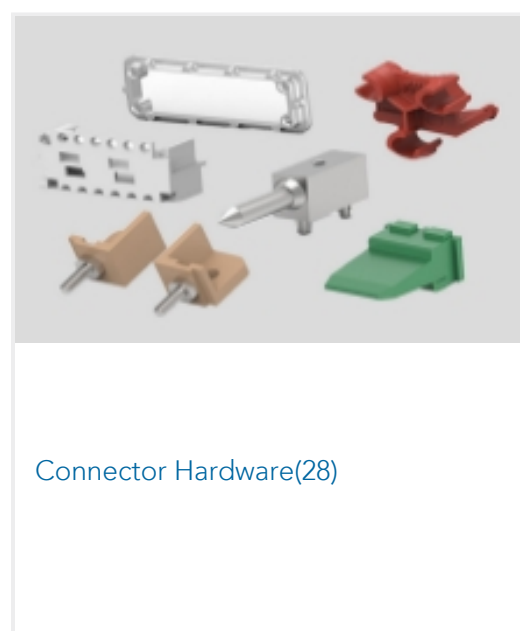
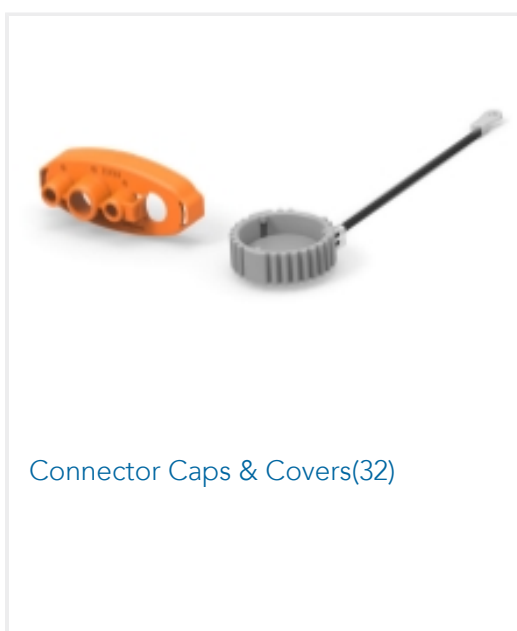
Product Compliance Disclaimer

This information is provided based on reasonable inquiry of our suppliers and represents our current actual knowledge based on the information they provided. This information is subject to change. The part numbers that TE has identified as EU RoHS compliant have a maximum concentration of 0.1% by weight in homogenous materials for lead, hexavalent chromium, mercury, PBB, PBDE, DBP, BBP, DEHP, DIBP, and 0.01% for cadmium, or qualify for an exemption to these limits as defined in the Annexes of Directive 2011/65/EU (RoHS2). Finished electrical and electronic equipment products will be CE marked as required by Directive 2011/65/EU. Components may not be CE marked. Additionally, the part numbers that TE has identified as EU ELV compliant have a maximum concentration of 0.1% by weight in homogenous materials for lead, hexavalent chromium, and mercury, and 0.01% for cadmium, or qualify for an exemption to these limits as defined in the Annexes of Directive 2000/53/EC (ELV). Regarding the REACH Regulation, the information TE provides on SVHC in articles for this part number is based on the latest European Chemicals Agency (ECHA) 'Guidance on requirements for substances in articles' posted at this URL: <https://echa.europa.eu/guidance-documents/guidance-on-reach>

## Compatible Parts



## Also in the Series | CHAMP Docking Connectors





IDC D-Sub Connectors(55)

### Customers Also Bought



TE Part #DT04-2P  
REC, 2P, GRY, N



TE Part #W2S  
Wedgelocks: DEUTSCH DT



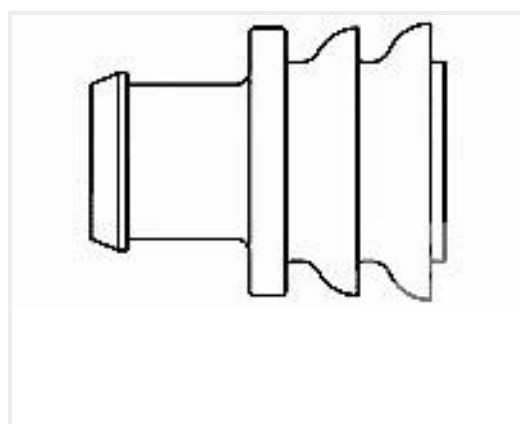
TE Part #0460-202-16141  
DEUTSCH Solid Contacts



TE Part #282104-1  
AMP SUPERSEAL 1.5MM,  
CONNECTOR HOUSING



TE Part #DT06-2S  
PLG, 2P, GRY, N



TE Part #281934-2  
SINGLE WIRE SEAL



TE Part #114017-ZZ  
SEALING PLUG, SIZE 12/16, WHT

### Documents

#### Product Drawings

ASSY, RCPT, 36 POS, B SLOT

English

#### CAD Files

3D PDF

3D

Customer View Model

[ENG\\_CVM\\_CVM\\_2-552275-1\\_T.2d\\_dxf.zip](#)

English

Customer View Model

[ENG\\_CVM\\_CVM\\_2-552275-1\\_T.3d\\_igs.zip](#)

English

Customer View Model

[ENG\\_CVM\\_CVM\\_2-552275-1\\_T.3d\\_stp.zip](#)

English

By downloading the CAD file I accept and agree to the [Terms and Conditions](#) of use.



---

**Product Specifications**

[Application Specification](#)

English

---

**Agency Approvals**

[UL Report](#)

English