

PRODUCT NUMBER
98416-XXX-XX-XXXLF

PLATING:
(AS AVAILABLE)

- S = 0.38µm GOLD/GXT ON CONTACT AREA
2µm TIN MIN ON TAIL
- G = 0.76µm GOLD/GXT ON CONTACT AREA
2µm TIN MIN ON TAIL
- F = GOLD FLASH ON CONTACT AREA
2µm TIN MIN ON TAIL
- 1.27µm Ni MIN UNDERLAYER

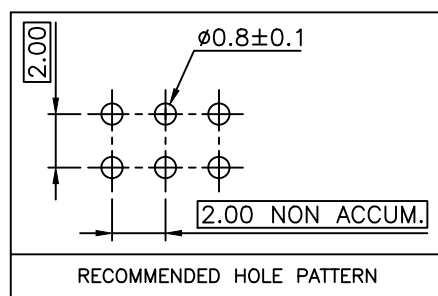
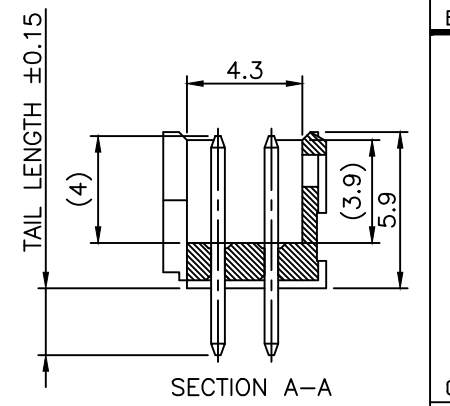
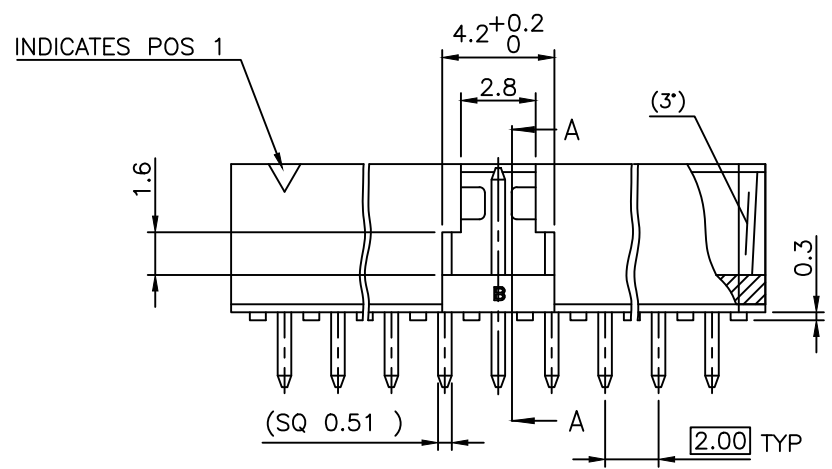
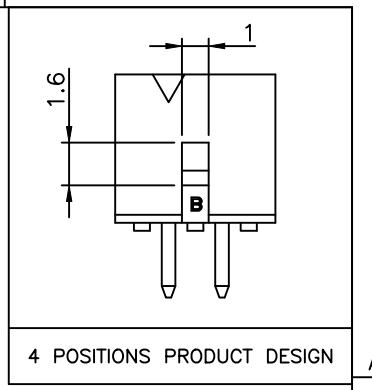
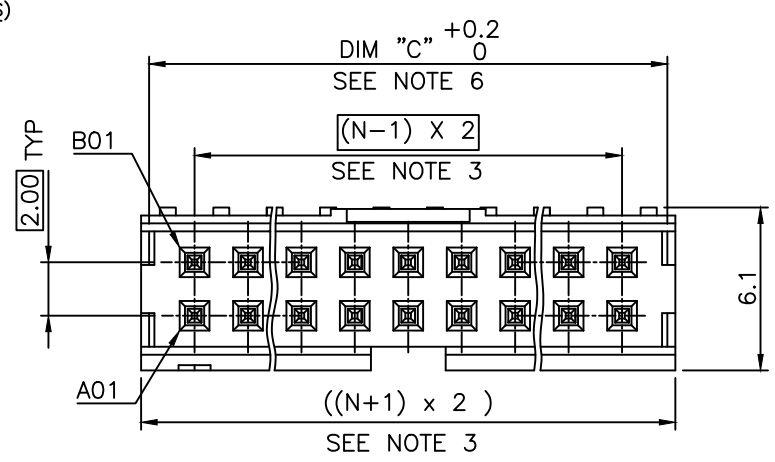
- RoHS COMPATIBLE, SEE NOTE 8
- POLARIZATION, SEE NOTE 7
(AS AVAILABLE)
- PACKAGING, SEE NOTE 5
(MAY BE SUBJECT TO TOOLING FEES)
- TOTAL NB OF POS, 04 UP TO 50
ONLY 16 POS TOOLED.
- COLOR OPTION, SEE NOTE 1
(AS AVAILABLE)
- PIN STYLE, SEE TABLE
(AS AVAILABLE)

PIN STYLE	TAIL LENGTH
04	2.00
06	2.50
08	3.10
10	3.70

NOTES:

- 1 - MATERIAL HOUSING: HIGH TEMP. THERMOPLASTIC UL-94VO
- = STANDARD COLOR CREAM
B = OPTIONAL COLOR BLACK
- 2 - MATERIAL TERMINAL: COPPER ALLOY
- 3 - TO DETERMINE DIMENSIONS:
N = NUMBER OF POSITIONS PER ROW
- 4 - 7N MIN. PIN RETENTION IN EITHER DIRECTION.
- 5 - PACKAGING:
= PLASTIC BOX
= PLASTIC BOX WHEN POLARISATION FEATURE APPLICABLE
U = TUBE AVAILABLE FROM 06 TO 50 POS
- 6 - DIM "C" = (N x 2) + 1.4
EXAMPLE: N = 7
DIM "C" = (7 x 2) + 1.4 = 15.4 mm
- 7 - FOR POLARIZATION, SPECIFIED PIN
EXAMPLE : A03 = ROW A, POSITION 03 TO OMIT PIN
OMIT FROM PRODUCT NUMBER IF THIS FEATURE IS NOT APPLICABLE.
- 8 - RoHS COMPATIBLE PRODUCT SPECIFICATIONS
 - a - PLATING:
- "LF" MEANS THE PRODUCT IS LEAD-FREE,
2µm MINIMUM MATTE TIN OVER 1.27µm
MINIMUM NICKEL UNDERPLATE.
 - b - MANUFACTURING PROCESS COMPATIBILITY
- THE HOUSING WILL WITHSTAND EXPOSURE TO
260°C ±5°C SOLDER BATH TEMPERATURE FOR
5 SECONDS IN A WAVE SOLDER APPLICATION
WITH A 1.6mm MIN THICK CIRCUIT BOARD.
 - c - LABELLING:
- MEETS PACKAGING SPECS AS PER GS-14-920
 - d - THIS PRODUCT MEETS EUROPEAN DIRECTIVES
AND OTHER COUNTRY REGULATIONS AS DISCRIBED
IN GS-47-0004.
- 9 - THIS PART SERIES IS NOT INITIALLY INTENDED FOR
AUTOMOTIVE APPLICATIONS. ADDITIONAL FEES ARE
CHARGEABLE FOR ANY ADDITIONAL QUALIFICATION AND
TEST REPORTS PERFORMED OUTSIDE THE SCOPE OF
THE STANDARD PRODUCT SPECIFICATIONS.
- 10- UNLESS OTHERWISE APPROVED BY AMPHENOL, ALL
PARTS AND COMPONENTS ARE DESIGNED & BUILT
ACCORDING TO AMPHENOL'S SPECIFICATIONS WHICH
ARE SUBJECT TO CHANGE WITHOUT NOTICE.

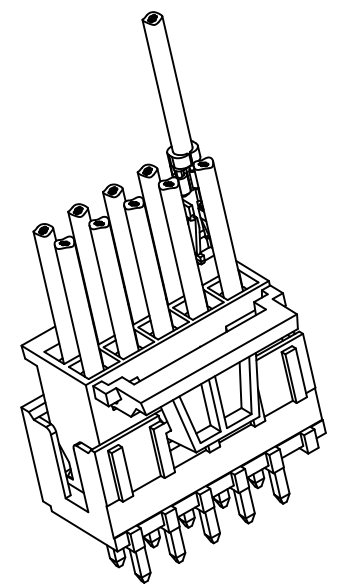
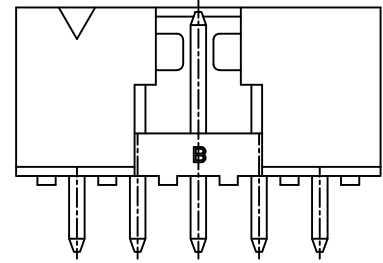
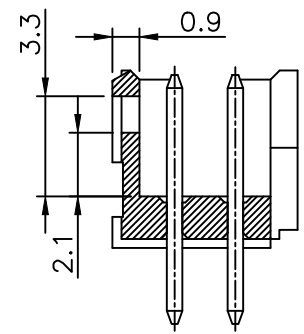
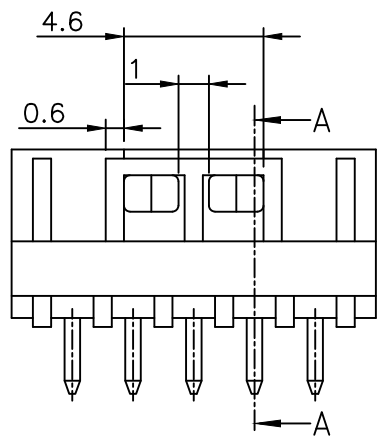
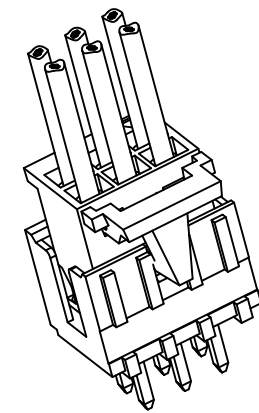
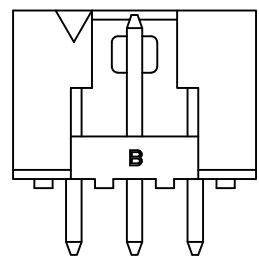
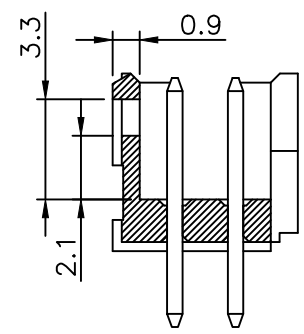
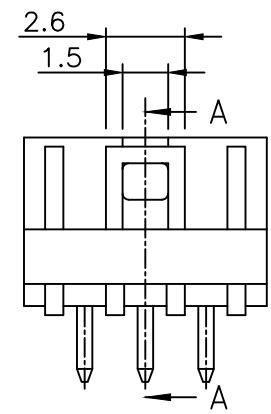
EXTENDED RANGE
- TOOLING FEASIBILITY CONFIRMED
- SAMPLES ON DEMAND
- AVAILABILITY ON DEMAND



mat'l. code		surface		tolerance		projection		product family	
SEE NOTES		ISO 1302 ✓		ISO 406 ISO 1101		mm		MINITEK	
ltr	ecn no	dr	date	tolerances unless otherwise specified		mm		title	
A	AMA	14.12.11		angles	linear	.X ±0.3	SHR HEADER		
B	B-20254	LMU	15.02.16			.XX ±0.13	2.00MM, HIGH END WALLS		
C	F-55194	DDE	25.03.31			.XXX ±0.05	scale 1:1	dwg no	
				dr	L.MULIN	11.05.19	sheet 1 of 2		size
				enr	J.COMPAGNON	11.05.19	98416		A3
				chr	J.COMPAGNON	11.05.20	type		Drawing
				appd	J.COMPAGNON	11.12.02	CUSTOMER		
sheet index	revision sheet	C	C						
		1	2						

Copyright FCI
 FCIconnect.com
 Copyright FCI

2x3 POS AND 2x4 POS CONFIGURATION
NO LATCHING AVAILABLE FOR 2x2 POS



2x5 POS UP TO 2x25 POS CONFIGURATION

LATCHING FEATURES WHEN USED IN COMBINATION
WITH ACTIVE LATCH HOUSING 10073599

mat'l. code SEE NOTES				surface ISO 1302 ✓		tolerance ISO 406 ISO 1101		projection mm		product family MINITEK	
A	ecn no	AMA	14.12.11	tolerances unless otherwise specified		.X ±0.3		mm		title SHR HEADER	
B	B-20254	LMU	15.02.16	angles	linear	.XX ±0.13		scale 1:1		2.00MM, HIGH END WALLS	
C	F-55194	DDE	25.03.31			.XXX ±0.05				dwg no 98416	
				dr	L.MULIN	11.05.19				sheet 2 of 2	
				enrg	J.COMPAGNON	11.05.19				size A3	
				chr	J.COMPAGNON	11.05.20				type CUSTOMER	
				appd	J.COMPAGNON	11.12.02				Drawing	
sheet index	revision sheet										