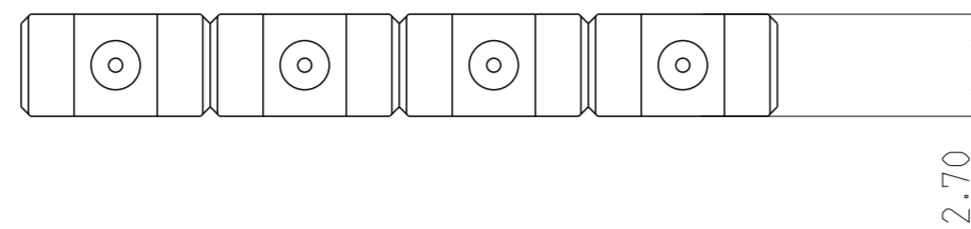


P	LTR	DESCRIPTION	DATE	DWN	APVD
	A2	NOTE UPDATED AS PER UL RATINGS	16APR2026	NMP	PS



NOTES:

1. MATERIAL

PINS : COPPER ALLOY, TIN PLATED
HOUSING: PA66 UL94V-0

2. ELECTRICAL

RATED CURRENT :14 A
RATED VOLTAGE :300V
INSULATION RESISTANCE : >1000MΩ(500V DC)
INSULATION WITHSTANDING VOLTAGE:1600VAC/MIN

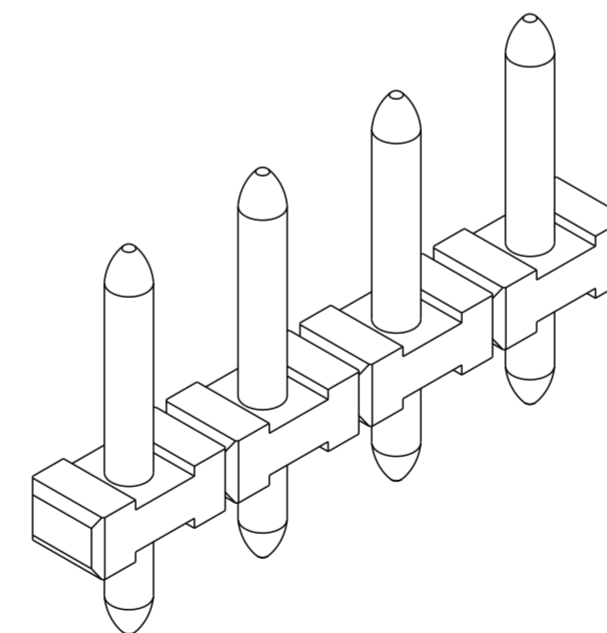
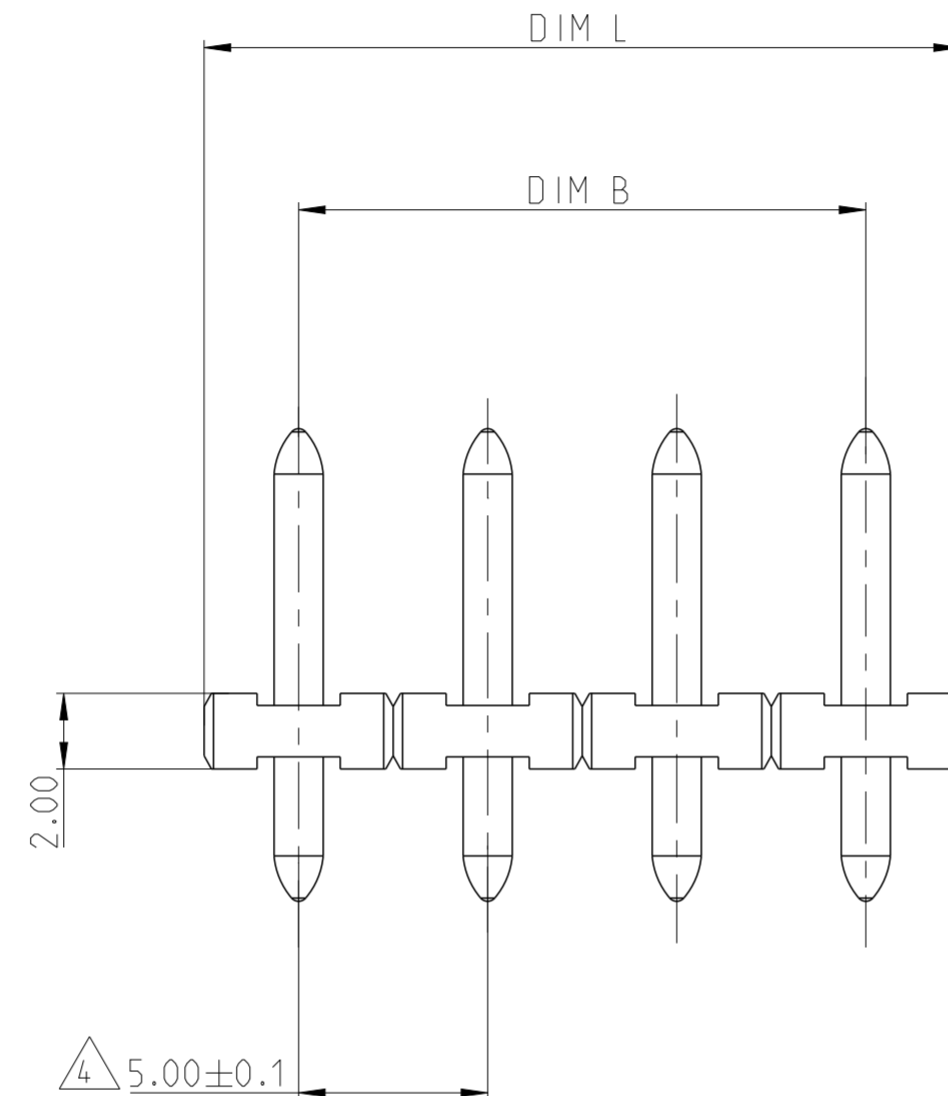
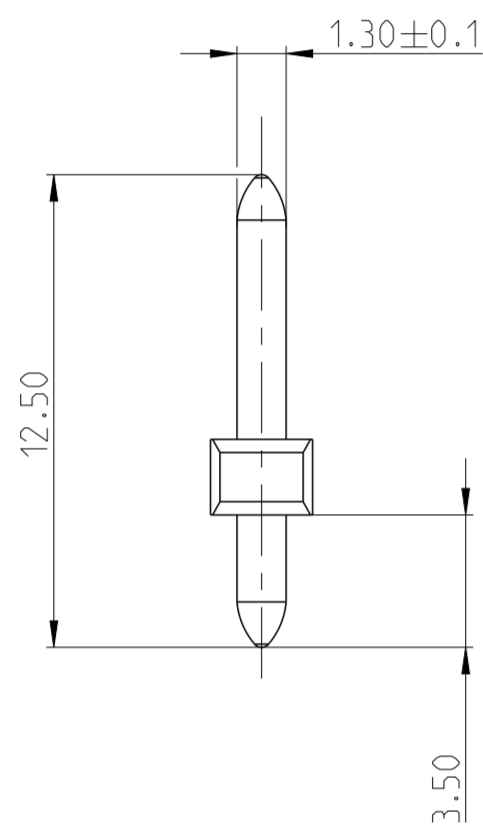
3. OPERATING TEMPERATURE:-40°C TO 130°C

△ NOT CUMULATIVE TOLLERANCE

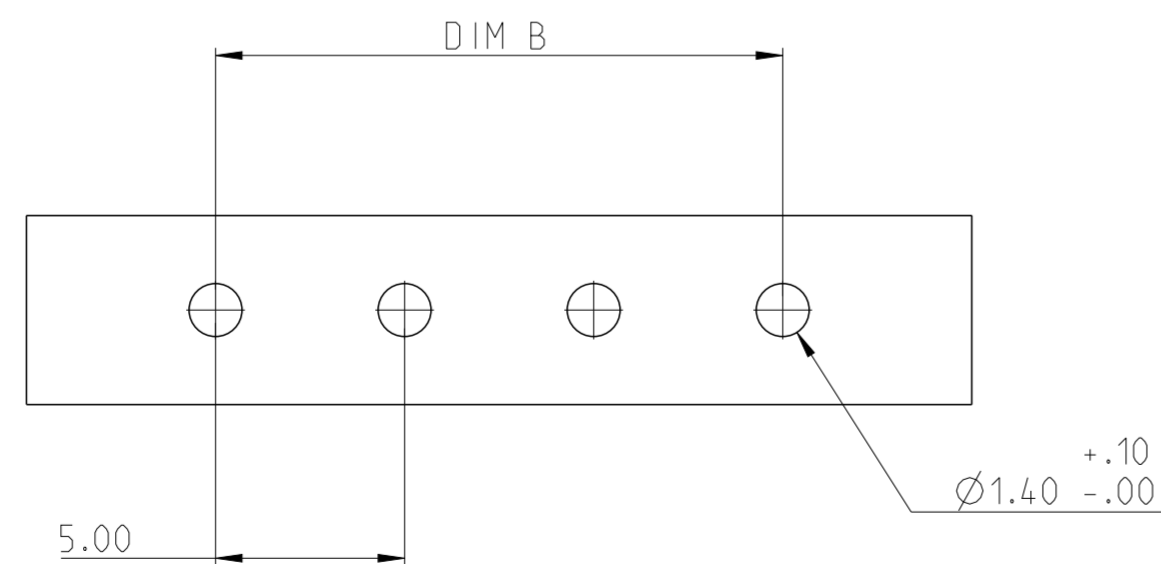
5. MECHANICAL

PARTS TO BE WAVE SOLDERED AND CAPABLE UPTO 265°C/10s MAX
SOLDERABILITY:95% COVERAGE MIN
CONTACT RETENTIONFORCE:3KG/CM MIN

6. SAFETY APPROVAL : us



1776489-4 AS SHOWN



RECOMMENDED PCB LAYOUT

TOL OF DIM B	DIM B	TOL OF DIM L	DIM L	NO OF POSITONS(P)	PART NUMBER
±0.15	25.00	+0.30 -0.25	30.00	6	1776489-6
	15.00		20.00	4	1776489-4
	10.00		15.00	3	1776489-3
	5.00		10.00	2	1776489-2

THIS DRAWING IS A CONTROLLED DOCUMENT.		DWN 15APR2026 NIVEDIHA M P	TE Connectivity		
DIMENSIONS: mm		CHK 16APR2026 MUJAMIL BASHA			
TOLERANCES UNLESS OTHERWISE SPECIFIED:		APVD 16APR2026 PRASHANTH SURATHKLA	NAME PCB TERMINAL BLOCK ,STRAIGHT UNSHROUDED HEADER, 5.0 MM PITCH		
0 PLC ±		PRODUCT SPEC 108-161088	APPLICATION SPEC -		
1 PLC ±0.30		114-20079	SIZE A2	CAGE CODE 00779	DRAWING NO C-1776489
2 PLC ±0.25		WEIGHT -	RESTRICTED TO -		
3 PLC ±		CUSTOMER DRAWING	SCALE 3:1	SHEET 1 OF 1	REV A2
4 PLC ±					
ANGLES ±°					
FINISH					
MATERIAL SEE NOTES					
SEE NOTES					