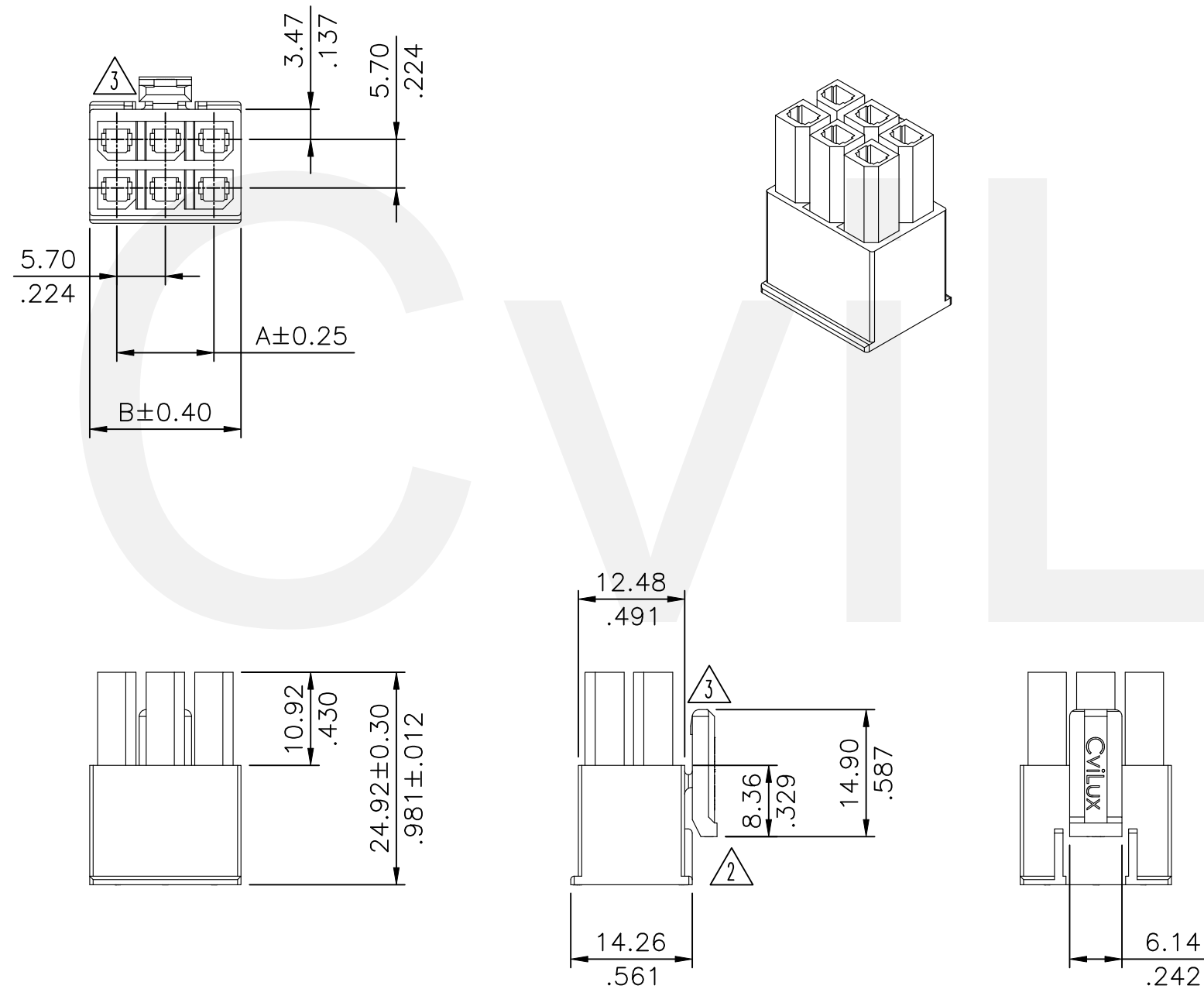


Material :

Nylon 66 UL 94V-0 Black Color



Ordering Code:

CP60 \*\* S N01 0  
 ① ② ③ ④ ⑤

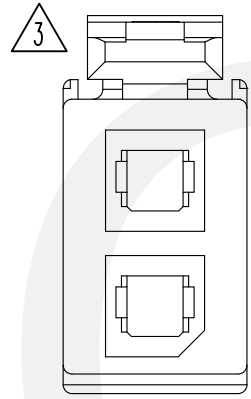
- ① Series No.
- ② No. of Circuits: 02~12 Pin
- ③ Type: S= Housing
- ④ Color: N01= Black Color
- ⑤ Other options: 0= Standard

Circuits	Dimension	
	A	B
2	-	8.35(.329)
4	5.70(.224)	12.05(.474)
6	11.40(.449)	17.75(.699)
8	17.10(.673)	23.45(.923)
10	22.80(.898)	29.15(1.148)
12	28.50(1.122)	34.85(1.372)

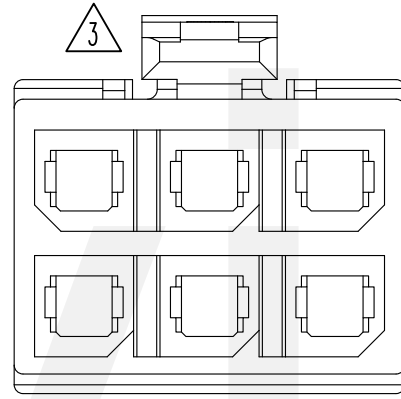
RoHS Compliant

SYMBOL	NAME	DATE	REVISIONS	APPROVED BY:	DATE	UNIT: mm / inch	TITLE:	CviLux Corporation			
④							CP60 Series 5.70mm Receptacle Connector	瀚荃股份有限公司 CviLux Corporation			
③	Wei	11/28-25	ECRB125077/ECNT125328	DRAWN BY:	Wei	2/09-26'	TOLERANCE UNLESS OTHERWISE SPECIFIED .X ± 0.30/.012 X.* ± 1' .XX ± 0.25/.010 .X.* ± .XXX ± 0.15/.006 .XX.* ±				
②	Karen	2/16-24'	ECNT124033/ECRB123079	ENGINEER:	Sun	2/09-26'		MATERIAL:	SCALE	1 / 1	SHEET
①	Clark	07/16-19	ECNT119180	CHECKED BY:	Eisley	2/09-26'	FINISH:	<div style="border: 2px solid red; border-radius: 50%; padding: 5px; display: inline-block; text-align: center;">             CviLux Corp              2026-03-09              ISSUED           </div>			
				APPROVED BY:	Eisley	2/09-26'					

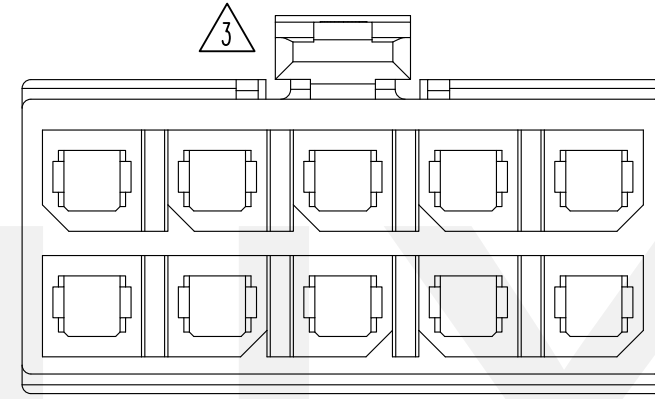
02 PIN



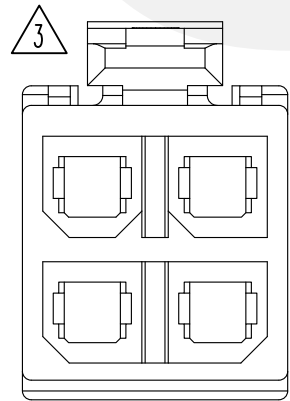
06 PIN



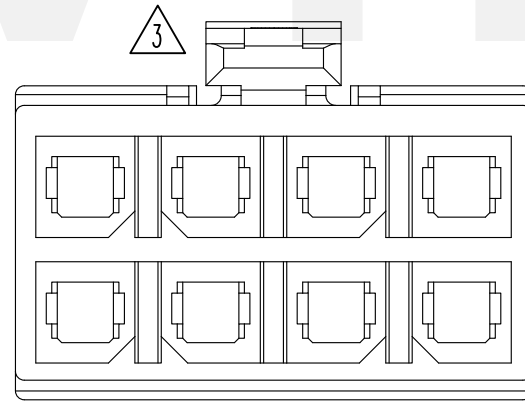
10 PIN



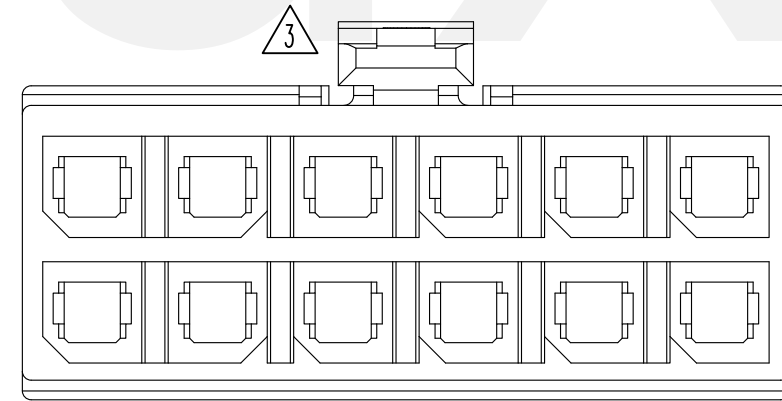
04 PIN




08PIN



12 PIN



RoHS Compliant

4						DATE	UNIT: mm / inch	TITLE: CP60 Series 5.70mm Receptacle Connector	 瀚荃股份有限公司 CviLux Corporation			
3	Wei	11/28-25	ECRB125077/ECNT125328	DRAWN BY: Wei	2/09-26'	TOLERANCE UNLESS OTHERWISE SPECIFIED	.X ± 0.30/.012 X.* ± 1'	MATERIAL:				
2	Karen	2/16-24'	ECNT124033/ECRB123079	ENGINEER: Sun	2/09-26'				.XX ± 0.25/.010 .X.* ±	FINISH:	SCALE	1 / 1
1	Clark	07/16-19	ECNT119180	CHECKED BY: Eisley	2/09-26'	.XXX ± 0.15/.006 .XX.* ±						
SYM	NAME	DATE	REVISIONS	APPROVED BY: Eisley	2/09-26'							

CviLux Corp  
 2026-03-09  
 ISSUED