

This document is the property of Amphenol Corporation and is delivered on the express condition that it is not to be disclosed, reproduced or used, in whole or in part, for manufacture or sale by anyone other than Amphenol Corporation without its prior consent, and that no right is granted to disclose or to use any information in this document.

The marking on this product doesn't contain environmental hazardous materials per Material Specification 55-00259 for Sony GP compliant or per directive 2002/95/EC for RoHS compliant.



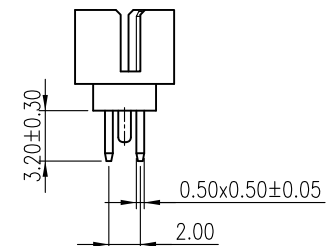
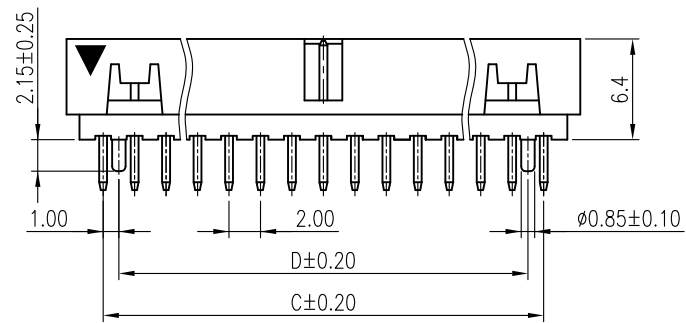
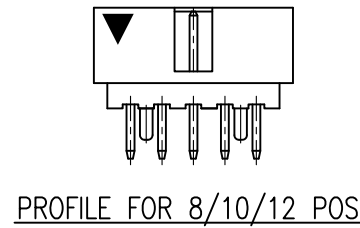
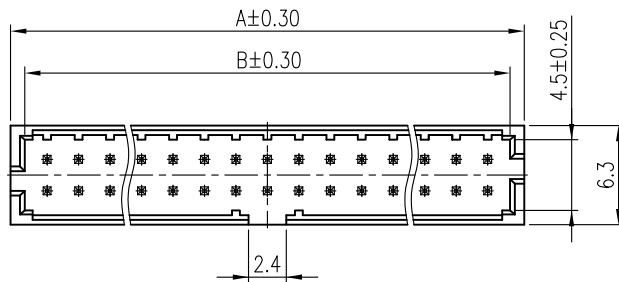
ORIGINAL



REVISIONS				
SYM	ECN No.	DESCRIPTION	DATE	APPROVED
A		REVISION TO PRODUCTION	04/13/2007	HC Liu
B	NE-10187	REVISED HSG MATERIAL AND DIMENSIONS	11/11/2010	Arron
C	NE-11089	MODIFY DRAWING	06/24/2011	Roger Tsai
D	NE-12206	ADDED PKG	11/14/2012	Roger Tsai

NOTES:

- INSULATOR: NYLON 4T, UL 94V-0, COLOR: BLACK.
- CONTACT: COPPER ALLOY, SELECTIVE GOLD OR TIN PLATED ON CONTACT AREA, 50μ" MIN. NICKEL UNDER-PLATING OVERALL.
- THIS PRODUCT DOESN'T CONTAIN ENVIRONMENTAL HAZARDOUS MATERIALS PER DIRECTIVE 2002/95/EC FOR RoHS.
- PER AMTA PACKING SPECIFICATION PKS-0001.

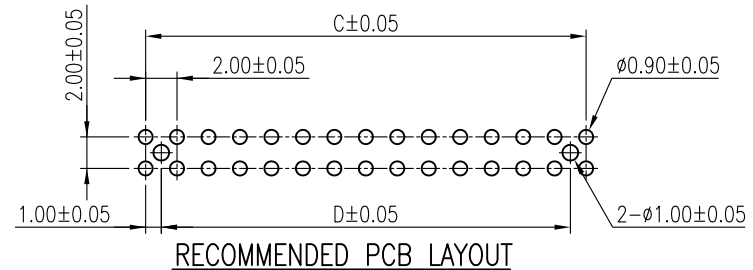


PROFILE FOR OTHER POSITIONS

G823 XX 1 X KBEU

- CONTACT FINISH:
- 0: FULL GOLD FLASH
 - 1: GOLD FLASH
 - 2: 15μ" GOLD
 - 3: 30μ" GOLD
 - 4: FULL TIN

SEE TABLE



G823 50 1 X KBEU	50	52.65	50.85	48.00	46.00
G823 48 1 X KBEU	48	50.65	48.85	46.00	44.00
G823 46 1 X KBEU	46	48.65	46.85	44.00	42.00
G823 44 1 X KBEU	44	46.65	44.85	42.00	40.00
G823 42 1 X KBEU	42	44.65	42.85	40.00	38.00
G823 40 1 X KBEU	40	42.65	40.85	38.00	36.00
G823 38 1 X KBEU	38	40.65	38.85	36.00	34.00
G823 36 1 X KBEU	36	38.65	36.85	34.00	32.00
G823 34 1 X KBEU	34	36.65	34.85	32.00	30.00
G823 32 1 X KBEU	32	34.65	32.85	30.00	28.00
G823 30 1 X KBEU	30	32.65	30.85	28.00	26.00
G823 28 1 X KBEU	28	30.65	28.85	26.00	24.00
G823 26 1 X KBEU	26	28.65	26.85	24.00	22.00
G823 24 1 X KBEU	24	26.65	24.85	22.00	20.00
G823 22 1 X KBEU	22	24.65	22.85	20.00	18.00
G823 20 1 X KBEU	20	22.65	20.85	18.00	16.00
G823 18 1 X KBEU	18	20.65	18.85	16.00	14.00
G823 16 1 X KBEU	16	18.65	16.85	14.00	12.00
G823 14 1 X KBEU	14	16.65	14.85	12.00	10.00
G823 12 1 X KBEU	12	14.65	12.85	10.00	8.00
G823 10 1 X KBEU	10	12.65	10.85	8.00	6.00
G823 08 1 X KBEU	8	10.65	8.85	6.00	4.00
PART NUMBER	NO. OF POS.	DIM. A	DIM. B	DIM. C	DIM. D

TOLERANCE		APPROVALS		DATE	TITLE		Amphenol® Amphenol Corporation Amphenol Taiwan Corporation					
X.		DRAWN		Aqua Chou	11/14/2012	G823 SERIES BOX HEADER 2.0MM PITCH STRAIGHT PCB MOUNT		PART No. G823XX1XKBEU				
X.X	±0.30	CHECKED		Roger Tsai	11/14/2012							
X.XX	±0.20	APPROVED		Roger Tsai	11/14/2012							
X.XXX	±0.10	DWG TYPE		CUST DWG	PROJECT CODE	BHD	UNIT	mm	SIZE	A3	DWG No.	G823XX1XKBEU
ANGULAR	±1°	UNLESS OTHERWISE SPECIFIED					SCALE	NA	SHEET	1 OF 2	REV.	D

This document is the property of Amphenol Corporation and is delivered on the express condition that is not to be disclosed, reproduced or used, in whole or in part, for manufacture or sale by anyone other than Amphenol Corporation without its prior consent, and that no right is granted to disclose or to use any information in this document.

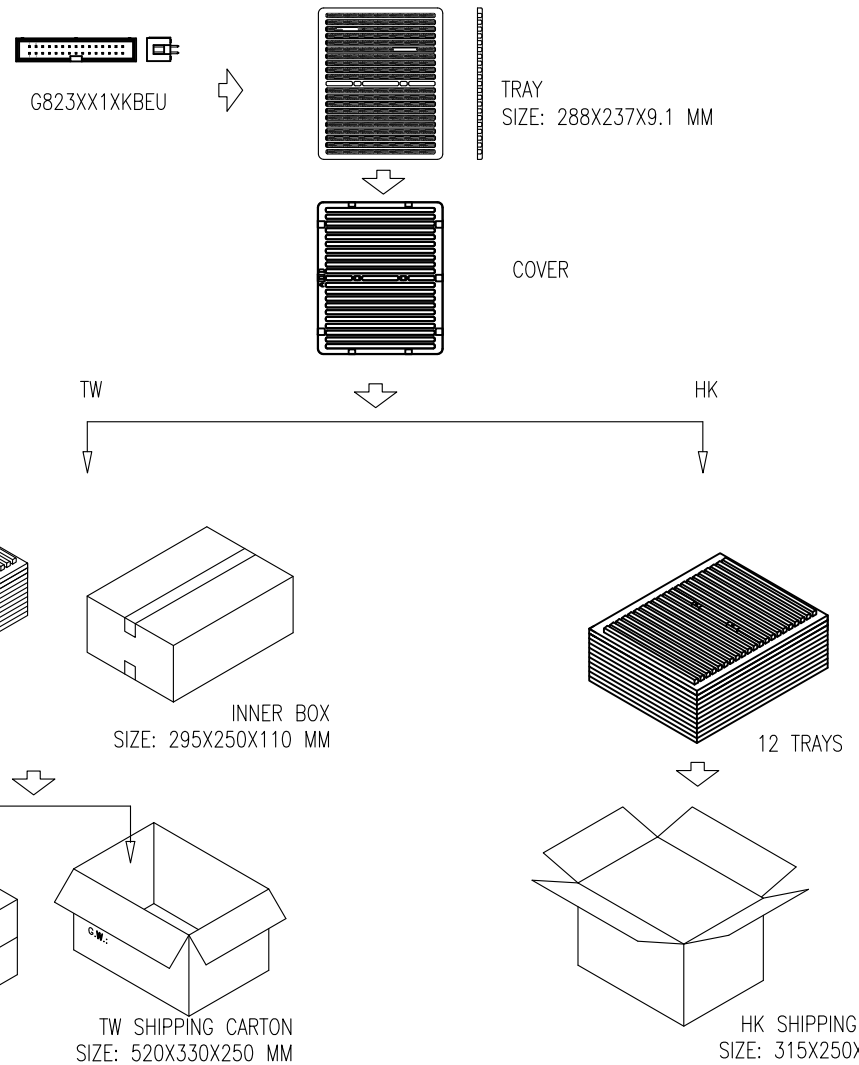
The marking on this product doesn't contain environmental hazardous materials per Material Specification 55-00259 for Sony GP compliant or per directive 2002/95/EC for RoHS compliant.



ORIGINAL



REVISIONS				
SYM	ECN No.	DESCRIPTION	DATE	APPROVED
A		REVISION TO PRODUCTION	04/13/2007	HC Liu
B	NE-10187	REVISED HSG MATERIAL AND DIMENSIONS	11/11/2010	Arron
C	NE-11089	MODIFY DRAWING	06/24/2011	Roger Tsai
D	NE-12206	ADDED PKG	11/14/2012	Roger Tsai



							TOLERANCE		APPROVALS		DATE		TITLE		Amphenol® Amphenol Corporation Amphenol Taiwan Corporation			
G823 12 1XKBEU	2X6=12	280	HK 12	3360	1.9	3.5	X.		DRAWN	Aqua Chou	11/14/2012	G823 SERIES BOX HEADER 2.0MM PITCH STRAIGHT PCB MOUNT		PART No. G823XX1XKBEU				
			TW 20	5600	3.2	4.9	X.X	±0.30	CHECKED	Roger Tsai	11/14/2012			SHEET 2 OF 2				
G823 10 1XKBEU	2X5=10	320	HK 12	3840	1.9	3.5	X.XX	±0.20	APPROVED	Roger Tsai	11/14/2012			DWG No. G823XX1XKBEU				
			TW 20	6400	3.1	4.8	X.XXX	±0.10						REV. D				
P/N	POS.	PCS/TRAY	TRAY/CARTON	QUANTITY (PCS)	N.W. KG	G.W. KG	ANGULAR	±1°	DWG TYPE	CUST DWG	PROJECT CODE	BHD	UNIT	mm	SCALE	NA		
							UNLESS OTHERWISE SPECIFIED											