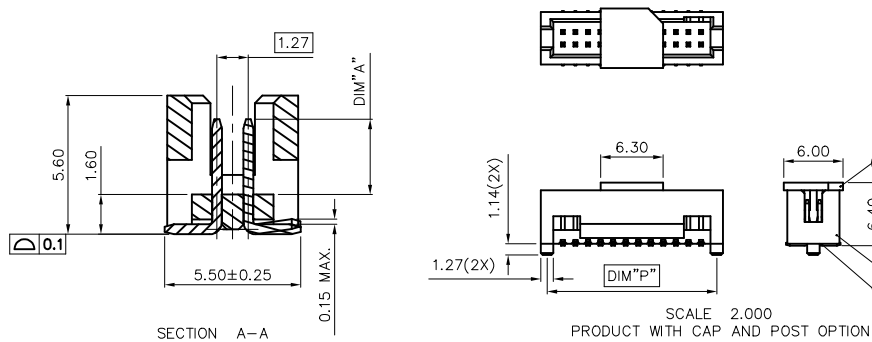
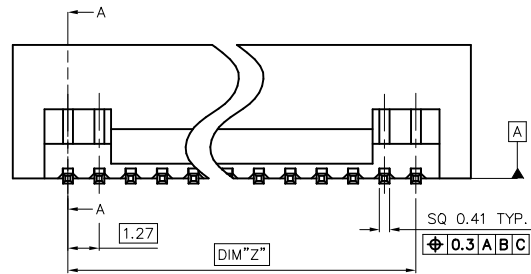
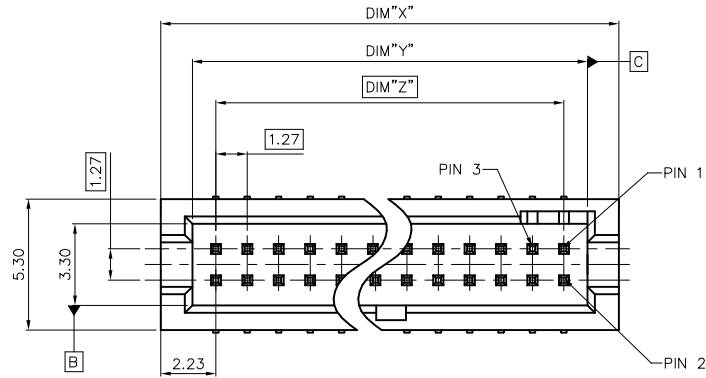


PART NO.
20021221

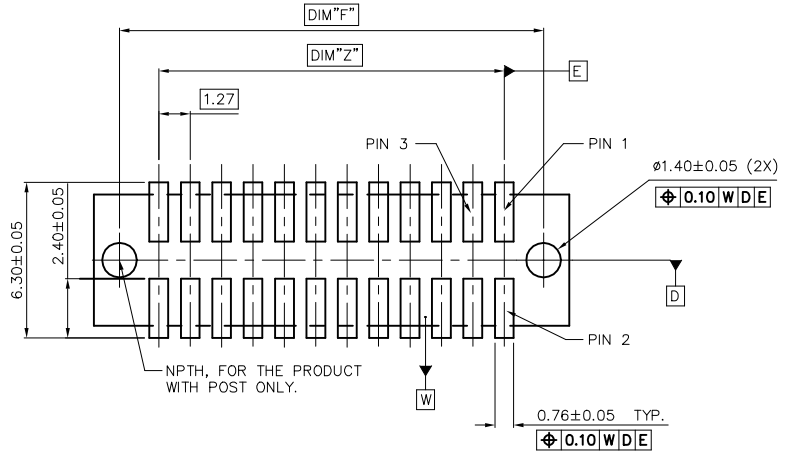


NOTES: UNLESS OTHERWISE SPECIFIED

- ALL DIMENSIONS ARE IN MILLIMETER, PER ASME Y14.5M-2009.
- ELECTRICAL CHARACTERISTICS:
 - VOLTAGE RATING: 125 VAC MAX..
 - CURRENT RATING: 1.0 A MAX. PER PIN, 30°C RISE ABOVE AMBIENT.
 - CONTACT RESISTANCE: 20 MILLIOHMS MAX. FOR INITIAL, 40 MILLIOHMS MAX. AFTER TEST.
 - DIELECTRIC WITHSTANDING VOLTAGE: 500V AC R.M.S..
 - INSULATION RESISTANCE: 1000 MEGOHMS MIN..
- OTHER CHARACTERISTICS:
 - THE PRODUCT WILL WITHSTAND EXPOSURE TO 260°C PEAK TEMPERATURE FOR 10 SECONDS IN A CONVECTION INFRA-RED OR VAPOR PHASE REFLOW OVEN.
 - PRODUCT SPEC: GS-12-629.
 - PACKAGE SPEC: GS-14-1420.
 - MATE WITH: 20021311 / 20021321 / 20021323.
 - THIS PRODUCT MEETS EUROPEAN UNION DIRECTIVES AND OTHER COUNTRY REGULATIONS AS DESCRIBED IN GS-22-008.
 - ONLY SHOWN THE FEATURE OF THE ABSENT PIN, THE OTHER SPEC IS THE SAME AS THE FULL PIN PRODUCT.
 - THE METAL CAP IS OPTION AS CUSTOMER REQUIREMENT.
 - 20021221-00312CALF FOR CUSTOMER SPECIFIED WITH 0.76µm MIN. GOLD AT CANTACT, 1.27µm MIN. MATTE TIN AT TAIL.

3	CONTACT	COPPER ALLOY	1.27µm MIN. NICKEL PLATING OVERALL UNDERPLATED 1.27µm MIN. MATTE TIN OR GOLD FLASH PLATING OVER NICKEL AT TAIL GOLD OR GXT PLATING ON CONTACT AREA
2	HOUSING	THERMOPLASTIC UL 94V-0	MOLDED BLACK
1	CAP	THERMOPLASTIC UL 94V-0	MOLDED BLACK
ITEM	DESCRIPTION	MATERIAL	TREATMENT
mat'l. code		surface ISO 1302 ✓	tolerance ISO 406 ISO 1101
ltr ecn no dr		tolerances unless otherwise specified	projection mm
N	ELX-N-23548 TIM YAO 03/21/16	angles	product family HPL 585
P	ELX-N-24142 TIM YAO 05/23/16	linear	title MINITEK 1.27
R	ELX-N-30802 TONY LENG 07/26/18	0°±2'	scale 1:1
S	ELX-N-31947 TONY LENG 11/23/18	dr	dwg no
T	ELX-N-291051 GRACE LIU 04/03/26	engr	sheet 1 of 3
		chr	size A3
		appd	20021221
			type Product Customer Drawing
sheet index	revision sheet	T	

PART NO.	POS.	DIM"X"	DIM"Y"	DIM"Z"	DIM"P"
20021221-XXX06XXLF	2 X 3	6.99	4.45	2.54	5.72
20021221-XXX08XXLF	2 X 4	8.26	5.72	3.81	6.99
20021221-XXX10XXLF	2 X 5	9.53	6.99	5.08	8.26
20021221-XXX12XXLF	2 X 6	10.80	8.26	6.35	9.53
20021221-XXX14XXLF	2 X 7	12.07	9.53	7.62	10.80
20021221-XXX16XXLF	2 X 8	13.34	10.80	8.89	12.07
20021221-XXX18XXLF	2 X 9	14.61	12.07	10.16	13.34
20021221-XXX20XXLF	2 X 10	15.88	13.34	11.43	14.61
20021221-XXX22XXLF	2 X 11	17.15	14.61	12.70	15.88
20021221-XXX24XXLF	2 X 12	18.42	15.88	13.97	17.15
20021221-XXX26XXLF	2 X 13	19.69	17.15	15.24	18.42
20021221-XXX28XXLF	2 X 14	20.96	18.42	16.51	19.69
20021221-XXX30XXLF	2 X 15	22.23	19.69	17.78	20.96
20021221-XXX32XXLF	2 X 16	23.50	20.96	19.05	22.23
20021221-XXX34XXLF	2 X 17	24.77	22.23	20.32	23.50
20021221-XXX36XXLF	2 X 18	26.04	23.50	21.59	24.77
20021221-XXX38XXLF	2 X 19	27.31	24.77	22.86	26.04
20021221-XXX40XXLF	2 X 20	28.58	26.04	24.13	27.31
20021221-XXX42XXLF	2 X 21	29.85	27.31	25.40	28.58
20021221-XXX44XXLF	2 X 22	31.12	28.58	26.67	29.85
20021221-XXX46XXLF	2 X 23	32.39	29.85	27.94	31.12
20021221-XXX48XXLF	2 X 24	33.66	31.12	29.21	32.39
20021221-XXX50XXLF	2 X 25	34.93	32.39	30.48	33.66
20021221-XXX52XXLF	2 X 26	36.20	33.66	31.75	34.93
20021221-XXX54XXLF	2 X 27	37.47	34.93	33.02	36.20
20021221-XXX56XXLF	2 X 28	38.74	36.20	34.29	37.47
20021221-XXX58XXLF	2 X 29	40.01	37.47	35.56	38.74
20021221-XXX60XXLF	2 X 30	41.28	38.74	36.83	40.01
20021221-XXX62XXLF	2 X 31	42.55	40.01	38.10	41.28
20021221-XXX64XXLF	2 X 32	43.82	41.28	39.37	42.55
20021221-XXX66XXLF	2 X 33	45.09	42.55	40.64	43.82
20021221-XXX68XXLF	2 X 34	46.36	43.82	41.91	45.09
20021221-XXX70XXLF	2 X 35	47.63	45.09	43.18	46.36
20021221-XXX72XXLF	2 X 36	48.90	46.36	44.45	47.63
20021221-XXX74XXLF	2 X 37	50.17	47.63	45.72	48.90
20021221-XXX76XXLF	2 X 38	51.44	48.90	46.99	50.17
20021221-XXX78XXLF	2 X 39	52.71	50.17	48.26	51.44
20021221-XXX80XXLF	2 X 40	53.98	51.44	49.53	52.71
20021221-XXX82XXLF	2 X 41	55.25	52.71	50.80	53.98
20021221-XXX84XXLF	2 X 42	56.52	53.98	52.07	55.25
20021221-XXX86XXLF	2 X 43	57.79	55.25	53.34	56.52
20021221-XXX88XXLF	2 X 44	59.06	56.52	54.61	57.79
20021221-XXX90XXLF	2 X 45	60.33	57.79	55.88	59.06
20021221-XXX92XXLF	2 X 46	61.60	59.06	57.15	60.33
20021221-XXX94XXLF	2 X 47	62.87	60.33	58.42	61.60
20021221-XXX96XXLF	2 X 48	64.14	61.60	59.69	62.87
20021221-XXX98XXLF	2 X 49	65.41	62.87	60.96	64.14
20021221-XXXA0XXLF	2 X 50	66.68	64.14	62.23	65.41



RECOMMENDED PCB LAYOUT
SCALE 5.000

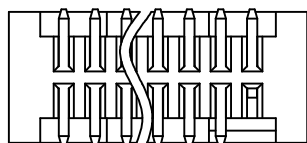
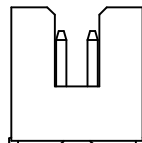
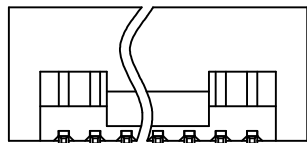
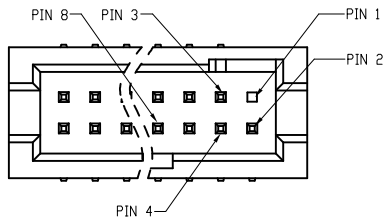
20021221-X X X XX X X LF

- LEAD FREE
- PLATING OPTIONAL
- 1: GOLD FLASH AT CONTACT, 1.27µm MIN. MATTE TIN AT TAIL
- 2: GOLD FLASH AT CONTACT, GOLD FLASH AT TAIL
- 3: 0.25GXT AT CONTACT, 1.27µm MIN. MATTE TIN AT TAIL
- 4: 0.25µm GOLD AT CONTACT, 1.27µm MIN. MATTE TIN AT TAIL
- 5: 0.25µm GOLD AT CONTACT, GOLD FLASH AT TAIL
- 6: 0.38GXT AT CONTACT, 1.27µm MIN. MATTE TIN AT TAIL
- 7: 0.38GXT AT CONTACT, GOLD FLASH AT TAIL
- 8: 0.76GXT AT CONTACT, 1.27µm MIN. MATTE TIN AT TAIL
- 9: 0.76GXT AT CONTACT, GOLD FLASH AT TAIL
- PACKING STYLE
- T: TUBE
- D: TUBE + CAP
- C: TAPE & REEL + CAP
- Q: TAPE & REEL W/O CAP
- PIN NO. SEE TABLE
- SELECTED LOADED
- 0: FULLY LOADED, OTHER SEE SHEET 3 NOTE 2
- MATING LENGTH (DIM"A")
- 0: 3.05mm
- POST OPTION
- 0: WITHOUT POST
- 1: WITH POST

Amphenol FCI

© 2016 AFCI

mat'l. code		surface	tolerance	projection	product family	
		ISO 1302 ✓	ISO 406 ISO 1101		HPL 585	
ltr	ecn no dr	tolerances unless otherwise specified		mm	title	
T		angles	linear			MINITEK 1.27
		0°±2'	0.X±0.30 0.XX±0.20 0.XXX±0.10			scale 1:1
		dr	GRACE LIU	04/03/26	Amphenol FCI	
		enr	GRACE LIU	04/03/26	20021221	
		chr	LEI LQ	04/03/26	sheet 2 of 3	
		appd	TIM YAO	04/03/26	size A3	
sheet index	revision sheet	T			type Product Customer Drawing	
	2					



PART NUMBER	AMOUNT OF PINS	PIN FREE LEADED
20021221-XX108XXLF	7	PIN #3
20021221-XX110XXLF	9	PIN #3
20021221-XX214XXLF	13	PIN #1
20021221-XX206XXLF	5	PIN #1
20021221-XX312XXLF	11	PIN #8
20021221-XX410XXLF	9	PIN #4

PART NUMBER 20021221-XX214XXLF
REMOVE PIN 1 FOR REFERENCE

mat'l. code		surface ISO 1302 <input checked="" type="checkbox"/>	tolerance ISO 406 ISO 1101	projection 	product family HPL 585
ltr	ecn no	dr	date	tolerances unless otherwise specified	title MINITEK 1.27
T				angles linear	
				0°±2'	
				0.X±0.30	scale 1:1
				0.XX±0.20	
				0.XXX±0.10	
				dr GRACE LIU 04/03/26	 dwg no 20021221 sheet 3 of 3 size A3 type Product Customer Drawing
				enr GRACE LIU 04/03/26	
				chr LEI LQ 04/03/26	
				appd TIM YAO 04/03/26	
sheet index	revision sheet	T	3		