



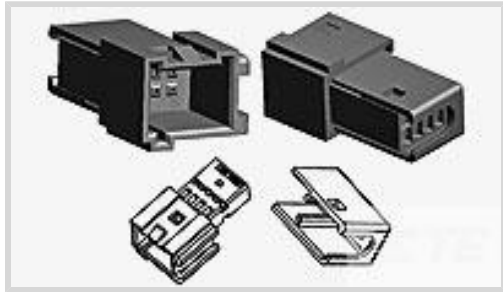
MQS

TE Internal #: 284869-1

Housing for Male Terminals, Wire-to-Wire, 8 Position, 2.54 mm [.1 in] Centerline, Black, Wire & Cable, Signal, Cable Mount (Free-Hanging)

[View on TE.com >](#)

Connectors > Automotive Connectors > Automotive Housings > MQS, CONNECTOR HOUSING



Connector System: **Wire-to-Wire**

Number of Positions: **8**

Connector & Housing Type: **Housing for Male Terminals**

Centerline (Pitch): **2.54 mm [.1 in]**

Sealable: **No**

[All MQS, CONNECTOR HOUSING \(353\)](#)

Features

Product Type Features

Connector System	Wire-to-Wire
Connector & Housing Type	Housing for Male Terminals
Sealable	No
Connector & Contact Terminates To	Wire & Cable
Primary Locking Feature	On the Terminal
Mixed & Hybrid Connector	No
Connector Shape	Rectangular

Configuration Features

Number of Positions	8
Number of Rows	2

Housing Features

Centerline (Pitch)	2.54 mm [.1 in]
Housing Material	PBT GF

Body Features

Primary Product Color	Black
Cable Exit Angle	180°



Contact Features

Contact Current Rating (Max)	6 A
Contact Size	.63mm
Contact Type	Tab

Operation/Application

Circuit Application	Signal
---------------------	--------

Mechanical Attachment

Connector Mounting Type	Cable Mount (Free-Hanging)
Strain Relief	Without
Terminal Position Assurance	Yes
Mating Alignment Type	Polarized
Mating Alignment	With

Usage Conditions

Operating Temperature (Max)	80 °C, 85 °C, 75 °C, 70 °C[167 °F][158 °F] [176 °F][185 °F]
Operating Temperature Range	-25 – 85 °C[-13 – 185 °F]

Electrical Characteristics

Nominal Voltage Architecture	24 V
Operating Voltage	24 VDC

Other

Connector Position Assurance Capable	No
EU RoHS Compliance	Compliant
EU ELV Compliance	Compliant
Serviceable	Yes

Dimensions

Row-to-Row Spacing	3.1 mm[.122 in]
Product Width	13.7 mm[.539 in]
Product Length	16.7 mm[.657 in]
Connector Height	28.5 mm[1.122 in]

Packaging Features

Packaging Quantity	1000
Packaging Method	Box



Product Compliance

[For compliance documentation, visit the product page on TE.com>](#)

EU RoHS Directive 2011/65/EU	Compliant
EU ELV Directive 2000/53/EC	Compliant
China RoHS 2 Directive MIIT Order No 32, 2016	No Restricted Materials Above Threshold
EU REACH Regulation (EC) No. 1907/2006	Current ECHA Candidate List: JUNE 2024 (241) Candidate List Declared Against: JUNE 2024 (241) Does not contain REACH SVHC
Halogen Content	Low Halogen - Br, Cl, F, I < 900 ppm per homogenous material. Also BFR/CFR/PVC Free
Solder Process Capability	Not applicable for solder process capability

Product Compliance Disclaimer

This information is provided based on reasonable inquiry of our suppliers and represents our current actual knowledge based on the information they provided. This information is subject to change. The part numbers that TE has identified as EU RoHS compliant have a maximum concentration of 0.1% by weight in homogenous materials for lead, hexavalent chromium, mercury, PBB, PBDE, DBP, BBP, DEHP, DIBP, and 0.01% for cadmium, or qualify for an exemption to these limits as defined in the Annexes of Directive 2011/65/EU (RoHS2). Finished electrical and electronic equipment products will be CE marked as required by Directive 2011/65/EU. Components may not be CE marked. Additionally, the part numbers that TE has identified as EU ELV compliant have a maximum concentration of 0.1% by weight in homogenous materials for lead, hexavalent chromium, and mercury, and 0.01% for cadmium, or qualify for an exemption to these limits as defined in the Annexes of Directive 2000/53/EC (ELV). Regarding the REACH Regulation, the information TE provides on SVHC in articles for this part number is based on the latest European Chemicals Agency (ECHA) 'Guidance on requirements for substances in articles' posted at this URL: <https://echa.europa.eu/guidance-documents/guidance-on-reach>

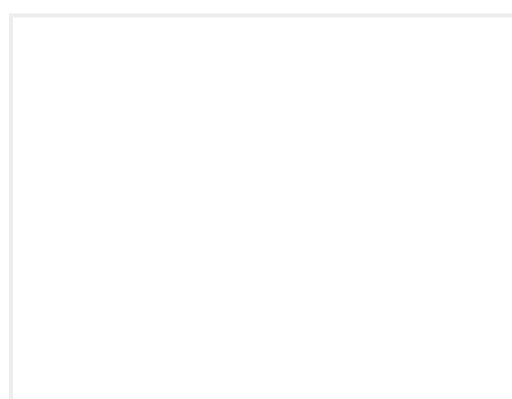
Compatible Parts



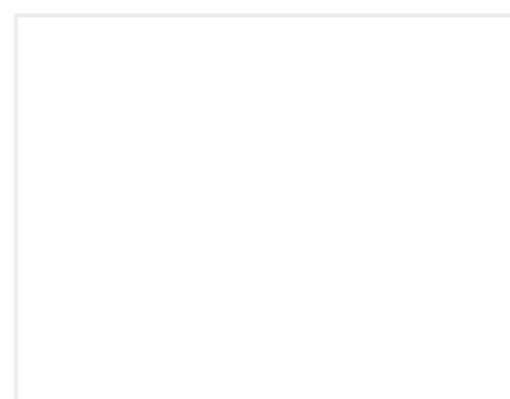
TE Part # CAT-M8793-CH8172
MQS, CONNECTOR HOUSING



TE Part # 5-963716-1
MQS0,63 Sn tab LL unseal. 0,5-0,75

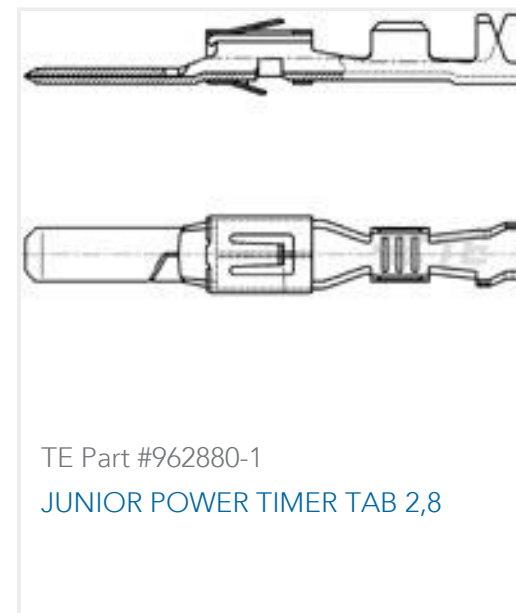


TE Part # 284867-1
PIN HOUSING FOR 8P MQS CLOCK



TE Part # 284868-1
SECONDARY LOCK FOR 8P MQS CLOC

Customers Also Bought



Documents

Product Drawings

8POS MQS TAB

English

CAD Files

Customer View Model

[ENG_CVM_CVM_284869-1_A1.2d_dxf.zip](#)

English

Customer View Model

[ENG_CVM_CVM_284869-1_A1.3d_stp.zip](#)

English

Customer View Model

[ENG_CVM_CVM_284869-1_A1.3d_igs.zip](#)

English

3D PDF

3D

By downloading the CAD file I accept and agree to the [Terms and Conditions](#) of use.

Product Specifications



8 POSITIONS MICRO QUADLOK SYSTEM

English

Product Specification

English