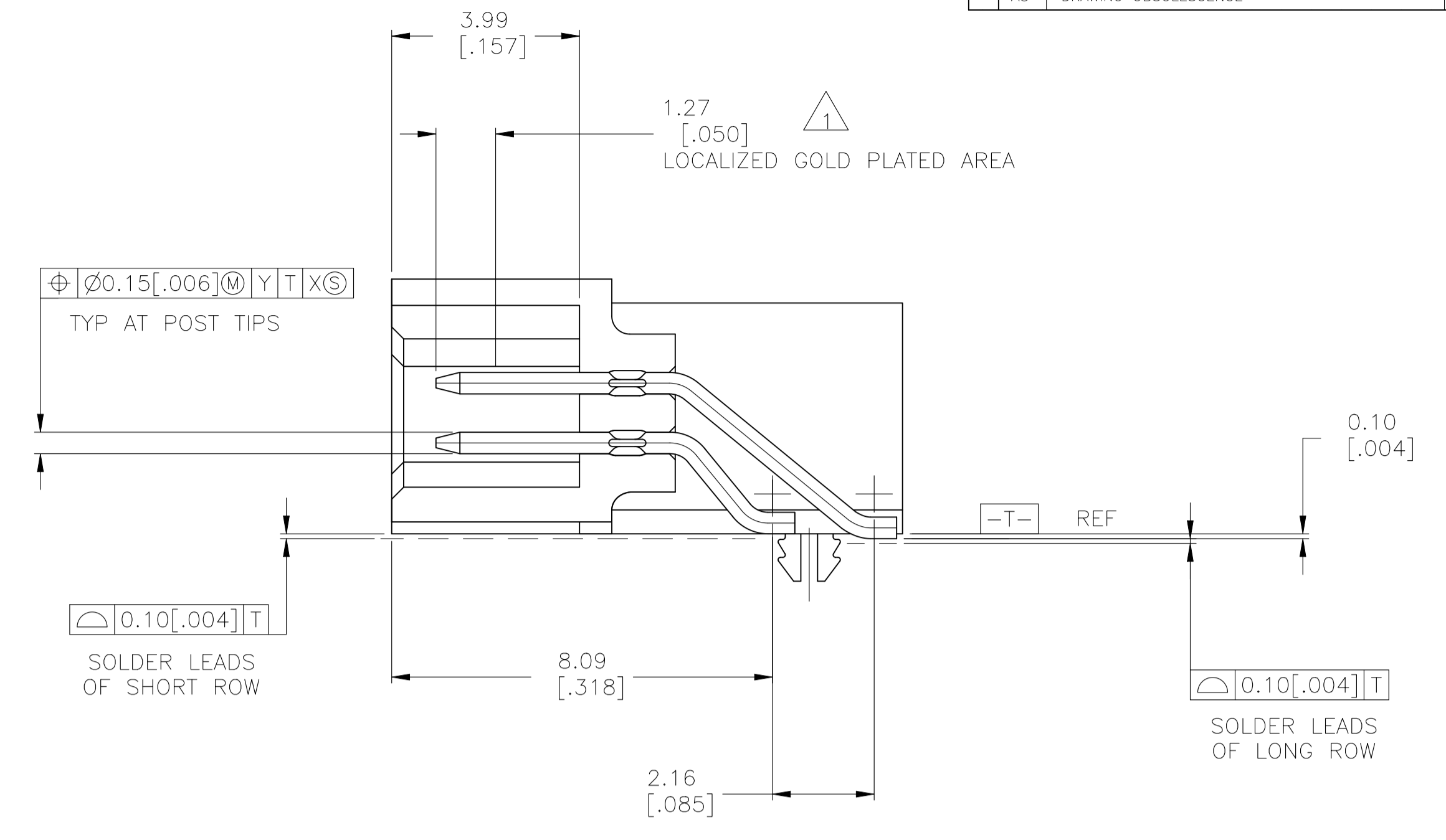
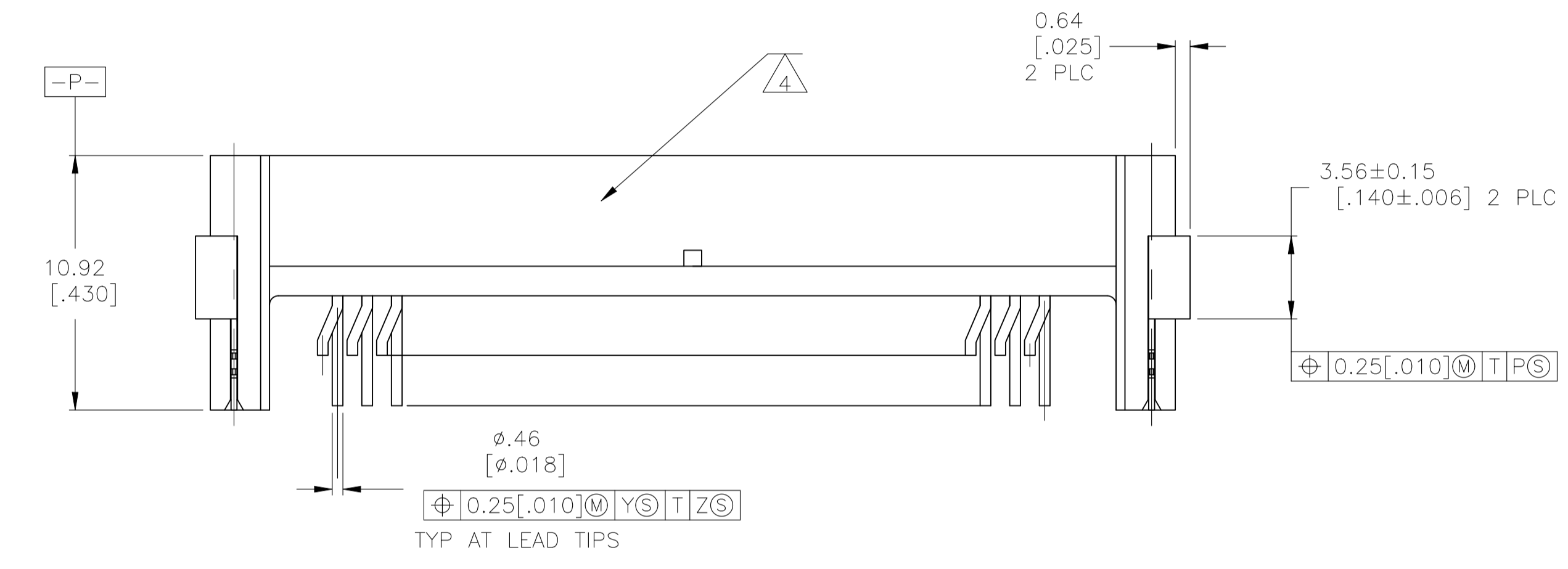
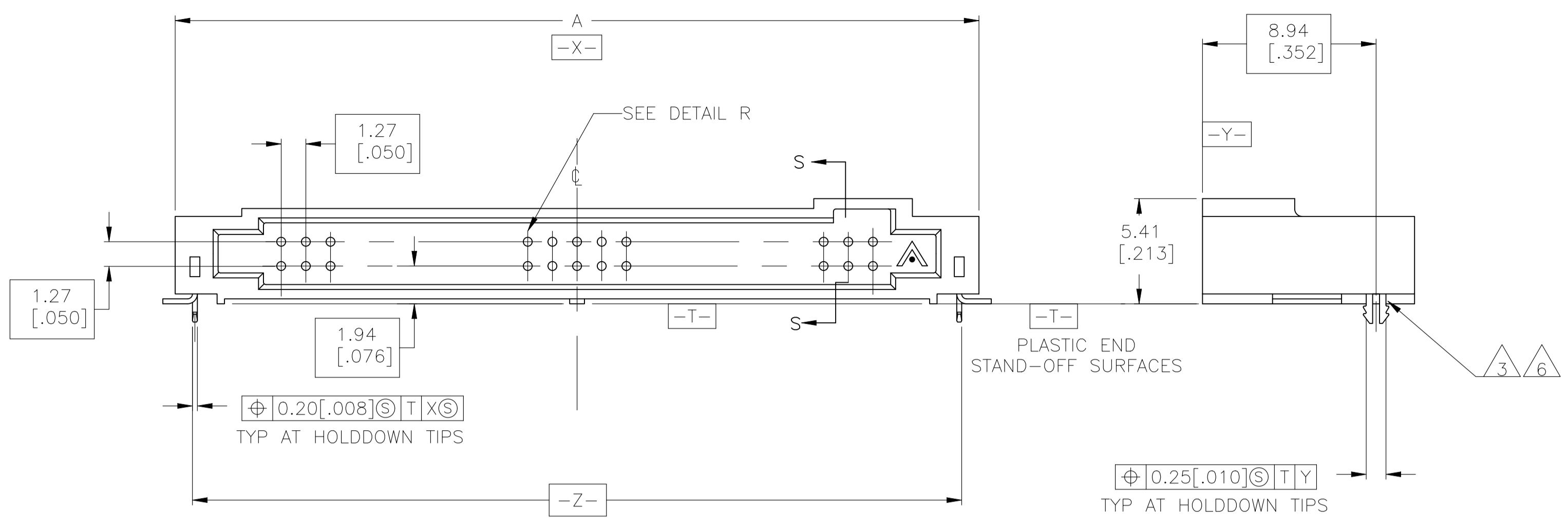
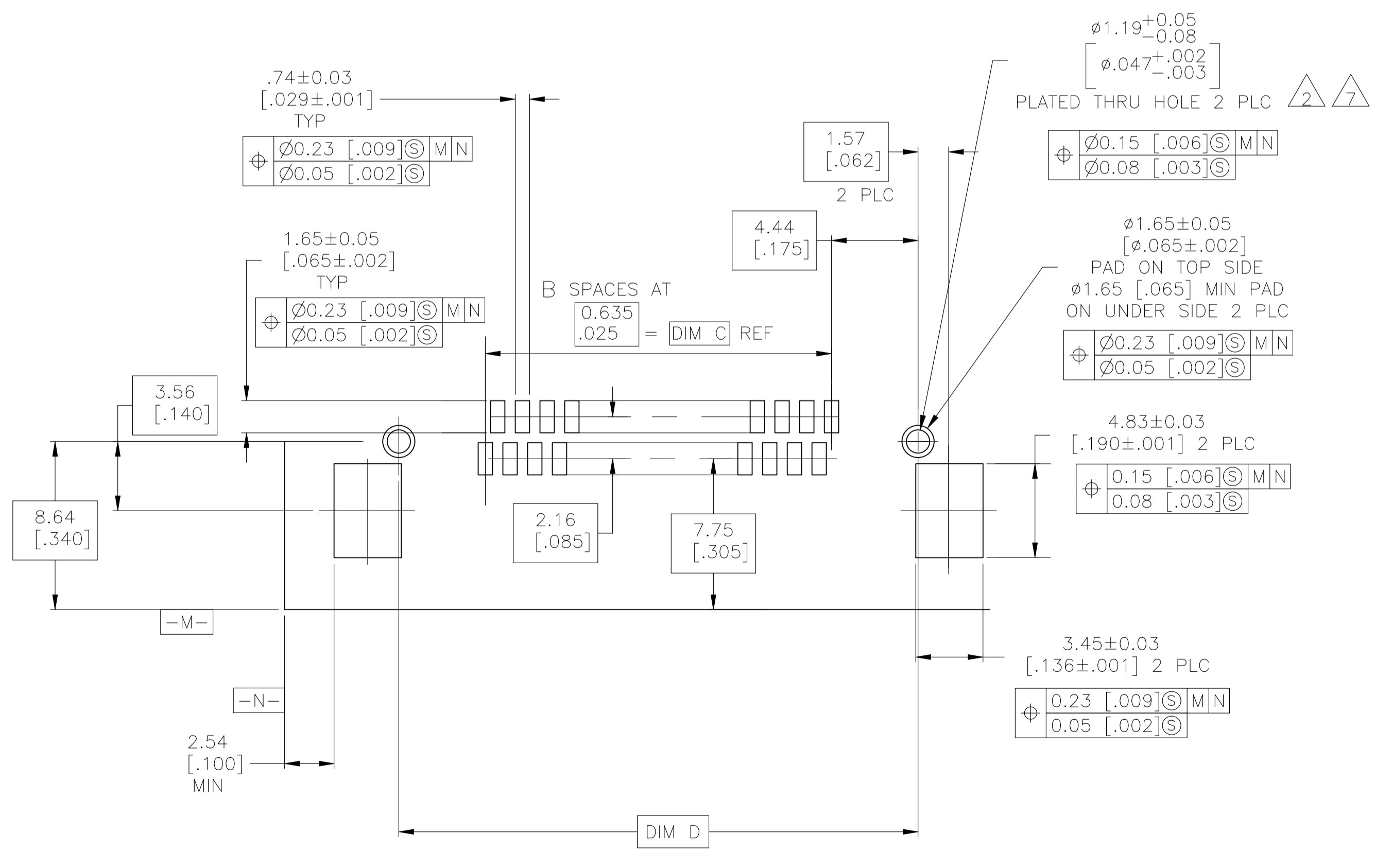


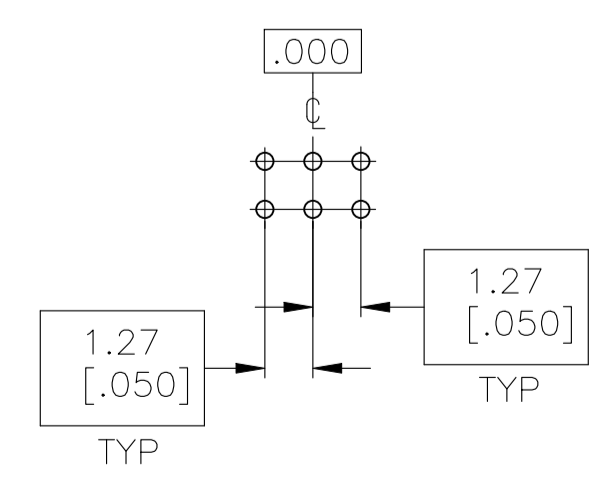
REVISIONS					
REV	DATE	BY	CHK	APP'D	DESCRIPTION
A3	27APR2026	LS	SRK		DRAWING OBSOLESCENCE



- 1 0.00076 [.000030] GOLD IN LOCALIZED PLATE AREA
0.00381 [.000150] TIN-LEAD ON SOLDER LEADS
ALL OVER 0.00127 [.000050] NICKEL
- 2 USE 1.32 ± 0.02 [.0520 ± 0.0010] DRILLED HOLE (#55 DRILL)
FINISH TO BE TIN-LEAD OVER 0.02 [.001] MIN COPPER
- 3 PLATING: 0.0038 [.000150] TIN-LEAD OVER 0.00127 [.000050] NICKEL
- 4 SERRATIONS OPTIONAL THIS SURFACE.
- 6 PLATING: 0.0038 (.00015) TIN OVER .00127 (.000050) NICKEL.
- 7 USE 1.32 ± 0.02 (.052 ± 0.001) DRILLED HOLE (#55 DRILL)
FINISH TO BE TIN OVER 0.02 (.001) MIN COPPER



RECOMMENDED BOARD LAYOUT
SCALE 5:1



BASIC DIMENSIONS FOR
EVEN NO OF SPACES
(SEE TABLE)
DETAIL R

OBSOLETE

FINISH	NO. OF SPA (SEE DETAIL R)	D	C	B	A	NUMBER OF POSITIONS	PART NUMBER
OBSOLETE	1 3	14	26.67 [1.050]	18.42 [.725]	29	28.70 [1.130]	1977276-2
	1 3	4	13.97 [.550]	5.72 [.225]	9	16.00 [.630]	1977276-1

THIS DRAWING IS A CONTROLLED DOCUMENT.		DIN M BINNER 13NOV07	TE Connectivity	
DIMENSIONS: mm [INCHES]		CHK N EPPLEY 13NOV07	NAME	
TOLERANCES UNLESS OTHERWISE SPECIFIED:		APP'D N EPPLEY 13NOV07	ASSEMBLY, HEADER, RIGHT ANGLE, DOUBLE ROW, AMPMODU 50/50 GRID CONNECTOR	
0 PLC ± -	1 PLC ± -	PRODUCT SPEC	108-1332	
2 PLC ± 0.13 [.005]	3 PLC ± -	APPLICATION SPEC	114-7010	
4 PLC ± -	ANGLES ± -	WEIGHT	A1 00779 C=1977276	
MATERIAL: LCP, COLOR BLACK CONTACT: BRASS HOLD-DOWN: COPPER ALLOY		FINISH: SEE TABLE	CUSTOMER DRAWING	SCALE 5:1 SHEET 1 OF 1 REV A3