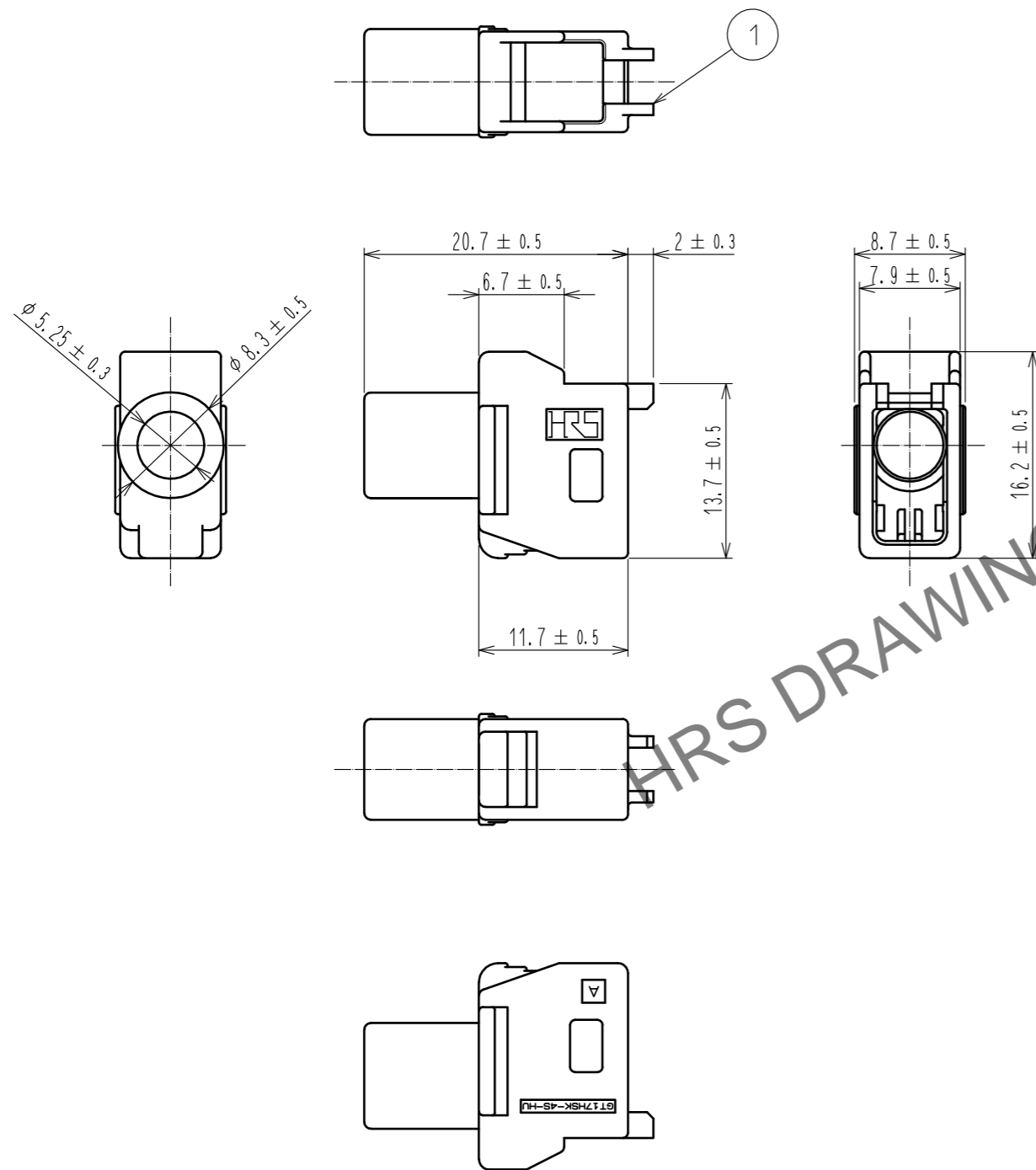
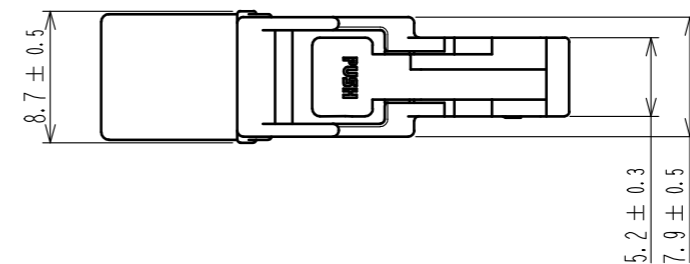


Jun.1.2026 Copyright 2026 HIROSE ELECTRIC CO., LTD. All Rights Reserved.
 In case of consideration for using Automotive equipment / device which demand high reliability, kindly contact our sales window correspondents.

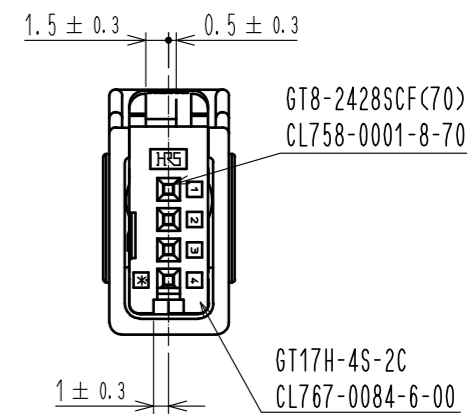
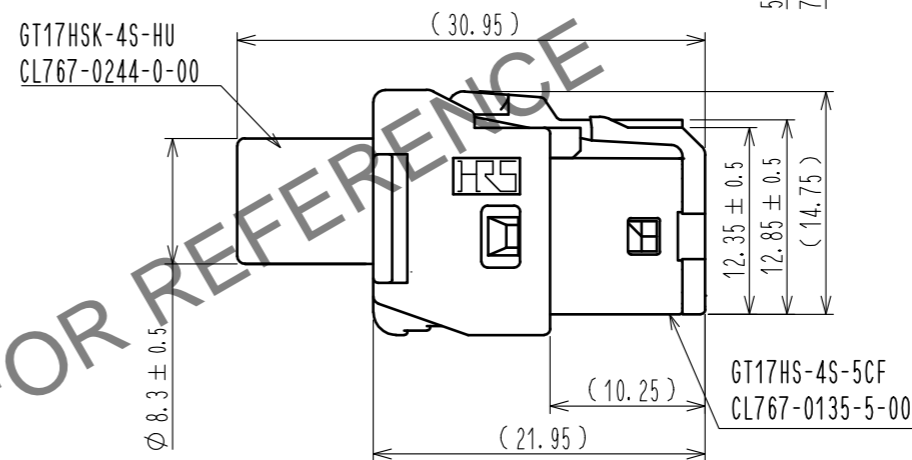
ELV. RoHS COMPLIANT



GT17HSK-4S(*)/SET * : KEY



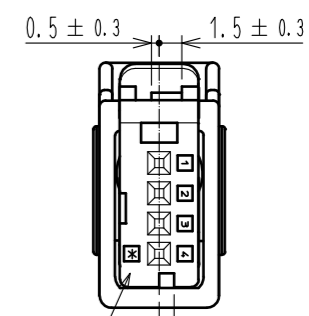
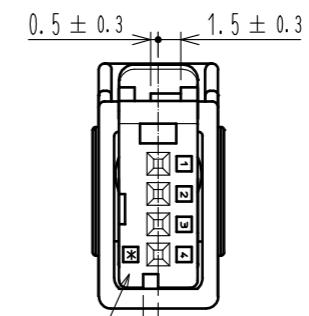
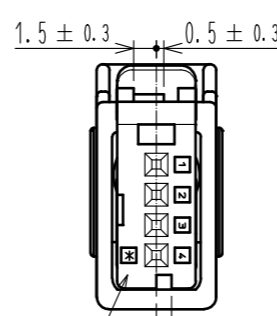
KEY-STANDARD: LIGHT GRAY



KEY-A: BROWN

KEY-B: GREEN

KEY-C: BLUE



1	PBT	DARK GRAY						
NO.	MATERIAL	FINISH	REMARKS	NO.	MATERIAL	FINISH	REMARKS	
UNITS		SCALE	COUNT	DESCRIPTION OF REVISIONS		DESIGNED	CHECKED	DATE
mm		2 : 1						
APPROVED : AR. SHIRAI				17.07.21	DRAWING NO. EDC-167969-00-02			
CHECKED : TH. MIZUGUCHI				17.07.20	PART NO. GT17HSK-4S-HU			
DESIGNED : YT. TAKANASHI				17.07.20	CODE NO. CL767-0244-0-00			
DRAWN : YT. TAKANASHI				17.07.20	1/1			