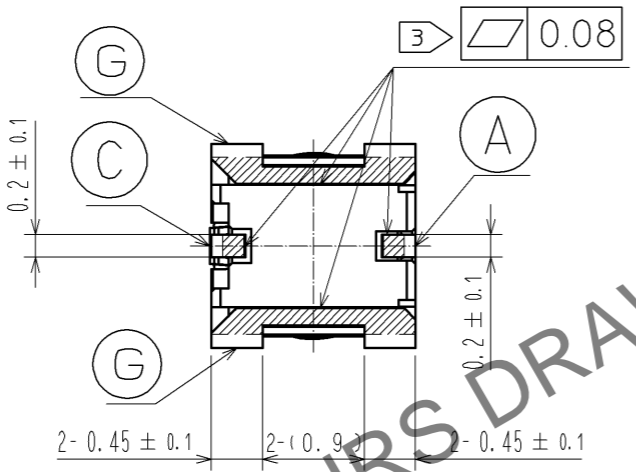
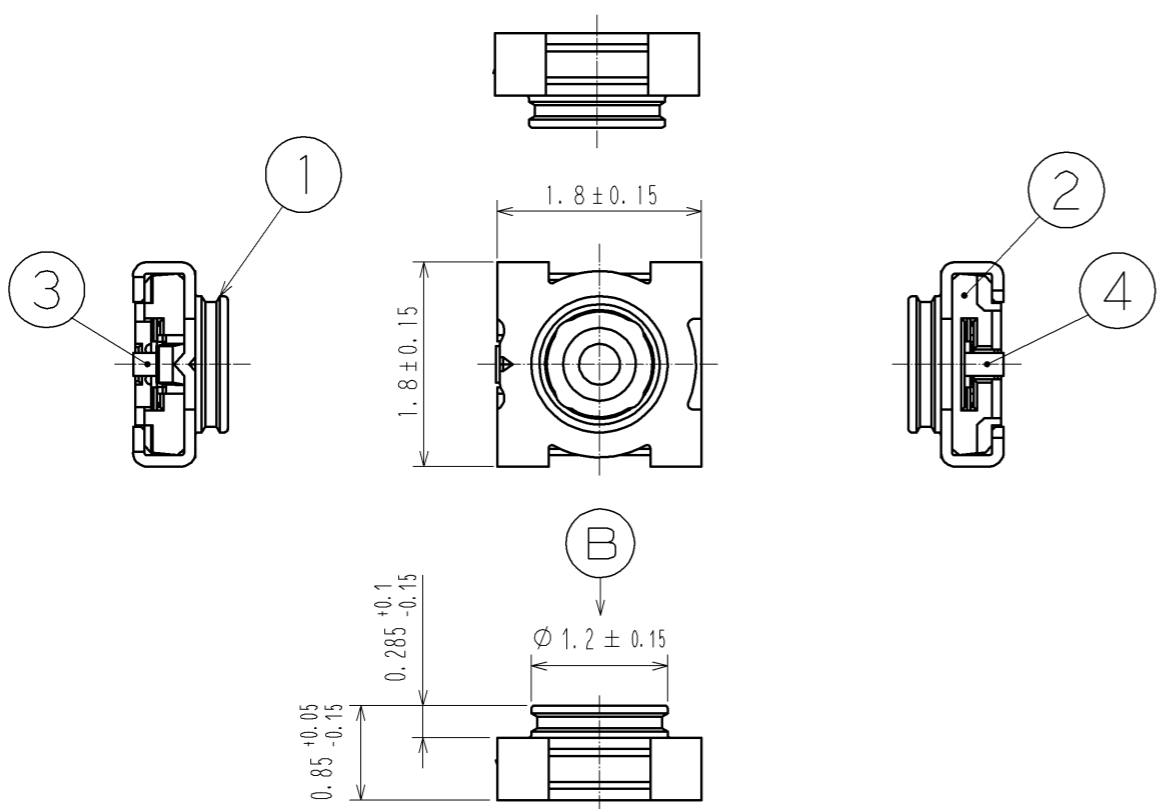
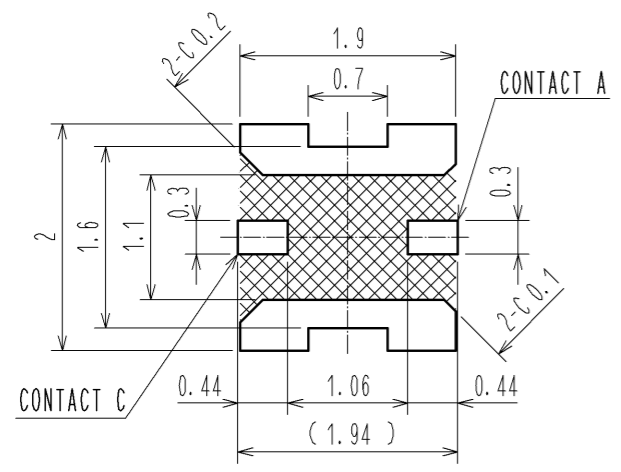


May.1.2026 Copyright 2026 HIROSE ELECTRIC CO., LTD. All Rights Reserved.
In case of consideration for using Automotive equipment / device which demand high reliability, kindly contact our sales window correspondents.

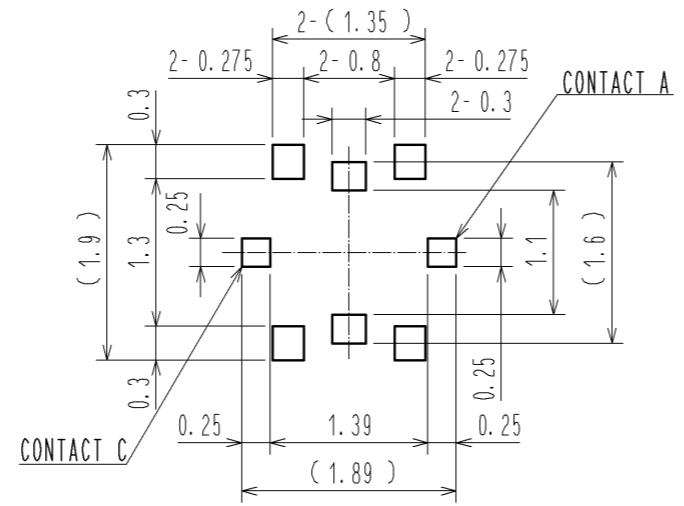


5 SPECIFIED PCB LAYOUT
The dimensional tolerance to be ± 0.05.

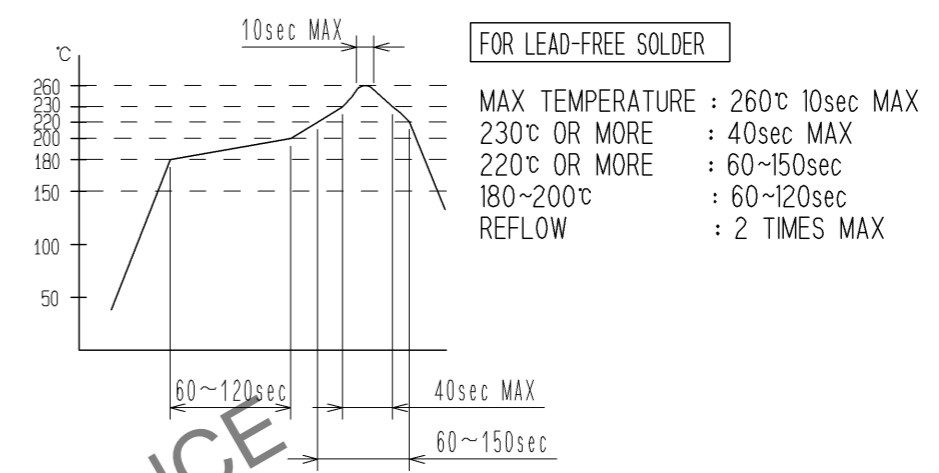


: This area must be free of conductive traces and resist field.

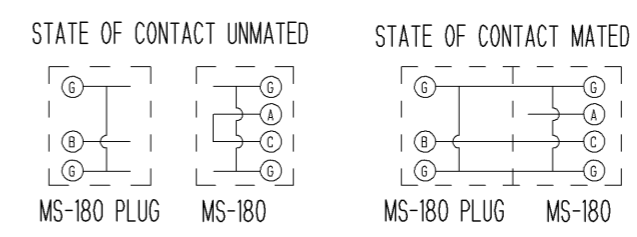
5 SPECIFIED STENCIL PLATE
THICKNESS: 0.1mm
The dimensional tolerance to be ± 0.05.



RECOMMENDED REFLOW TEMPERATURE PROFILE



NOTE 1. Circuit shall be as follows.

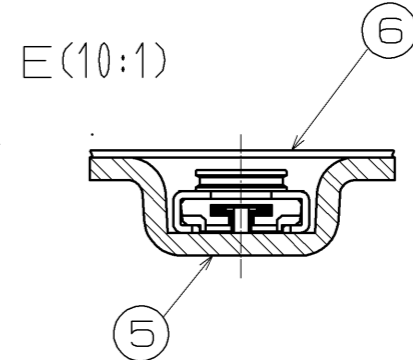
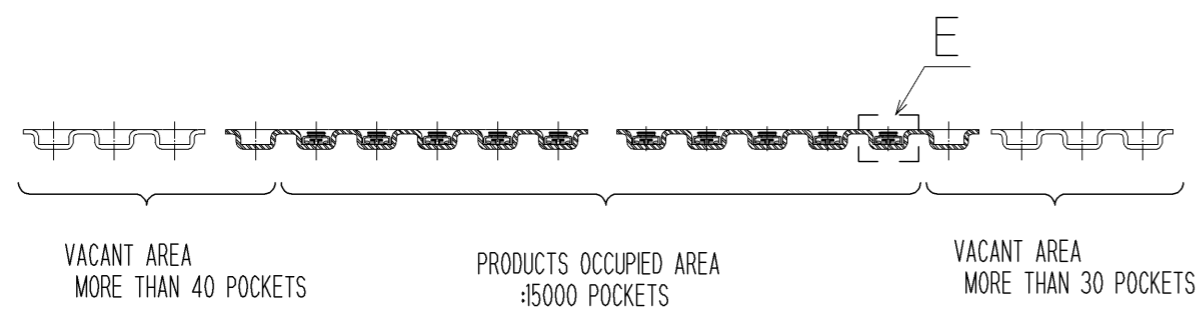
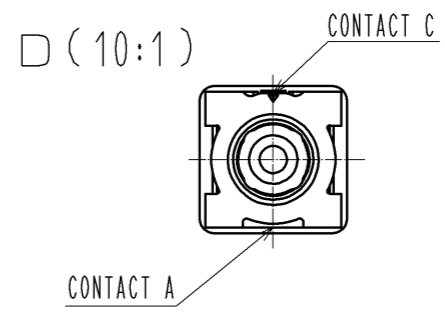
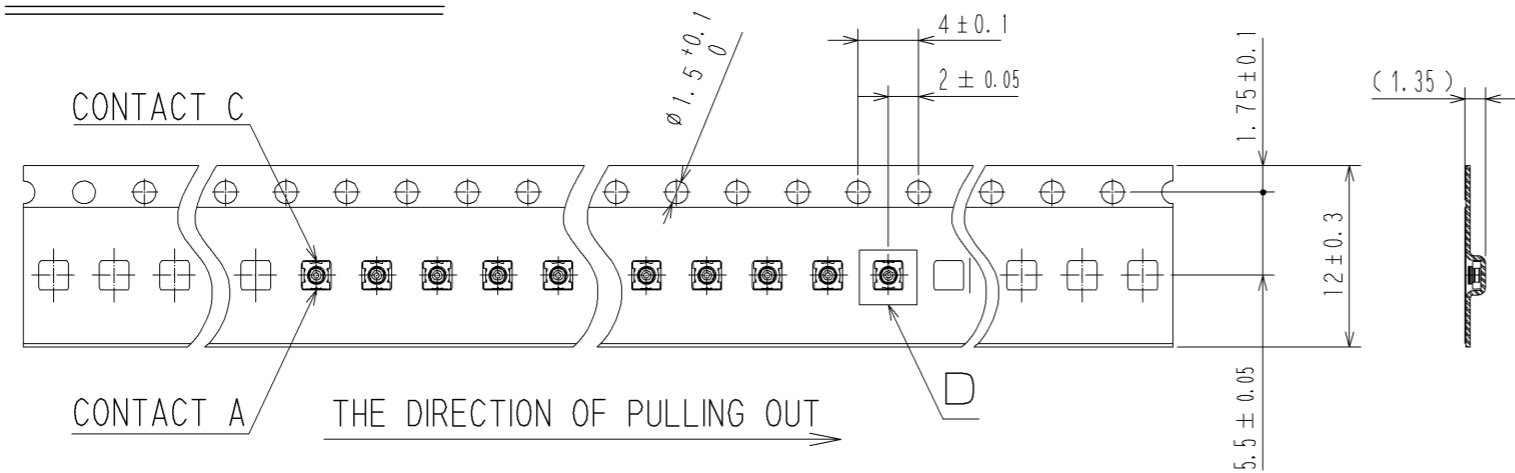


2. For use of this product, be sure to put contact area of plug on position P perpendicularly.
3. Lead co-planarity is to be 0.08mm MAX.
4. Do not use the washing process.
5. Please do not change the specified layout of the PCB dimension and the layout of the stencil plate dimension and thickness otherwise could not be responsible for the solderability of the product.
6. This product is intended to be used for circuit inspection only. Consult us if any other application is considered.
7. Do not use hand soldering for mounting of MS-180.

3	CU-NI-SI-ALLOY	SELECTIVE GOLD PLATING	7	PS	
2	LCP-M		6	PS	
1	BRASS	SELECTIVE GOLD PLATING	5	PS	
NO.	MATERIAL	FINISH . REMARKS	NO.	MATERIAL	FINISH . REMARKS
UNITS mm		SCALE 15 : 1	COUNT 	DESCRIPTION OF REVISIONS DIS-J-001356	DESIGNED TS. NAKAGAWA
					CHECKED NK. NINOMIYA
					DATE 11.09.13
				APPROVED : KJ. KAWAMURA 08.11.08	DRAWING NO. EDC3-180771-00
				CHECED : TY. OZAKI 08.11.07	PART NO. MS-180
				DESIGNED : TS. NAKAGAWA 08.11.07	CODE NO. CL358-0265-7-00
				DRAWN : TS. NAKAGAWA 08.11.07	
					1/2

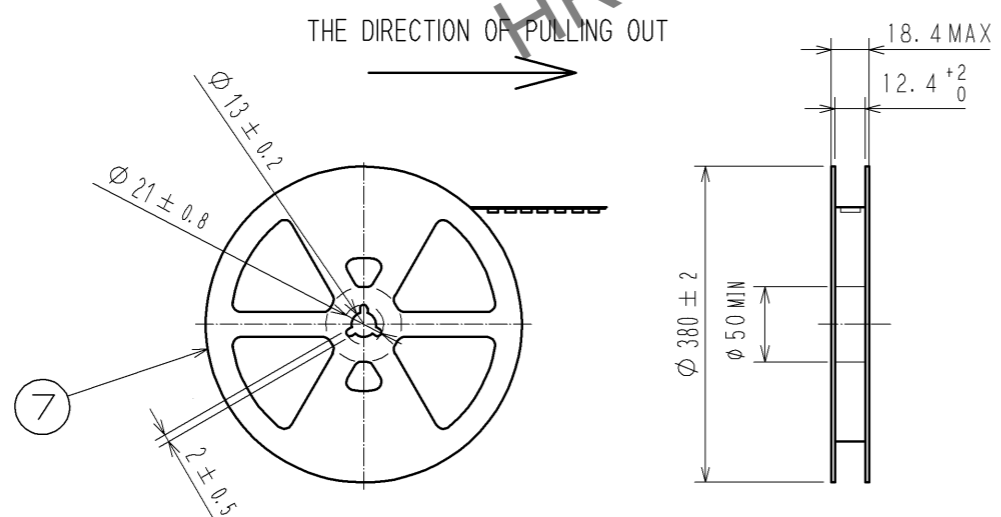
May.1.2026 Copyright 2026 HIROSE ELECTRIC CO., LTD. All Rights Reserved.
 In case of consideration for using Automotive equipment / device which demand high reliability, kindly contact our sales window correspondents.

PACKAGING SPECIFICATION (2:1)

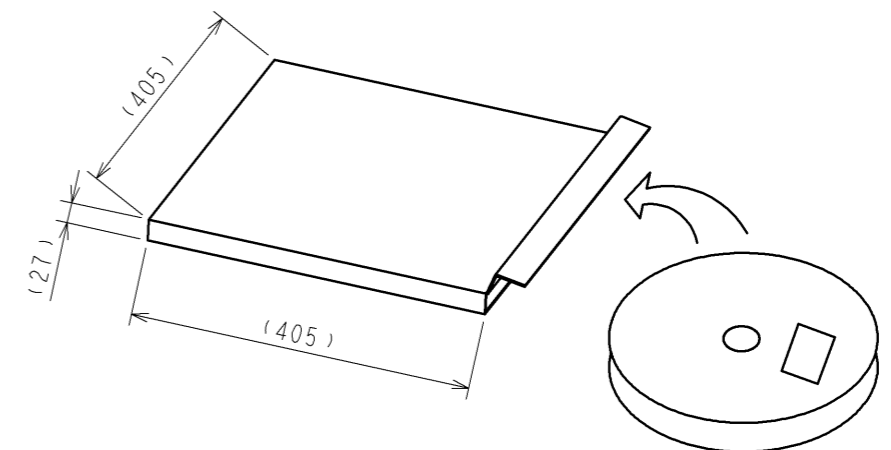


REEL DIMENSIONS(FREE)

15000 PIECES PER REEL



OUTER PACKAGING CASE(FREE)



HRS	DRAWING NO.	EDC3-180771-00	2/2
	PART NO.	MS-180	
	CODE NO.	CL358-0265-7-00	