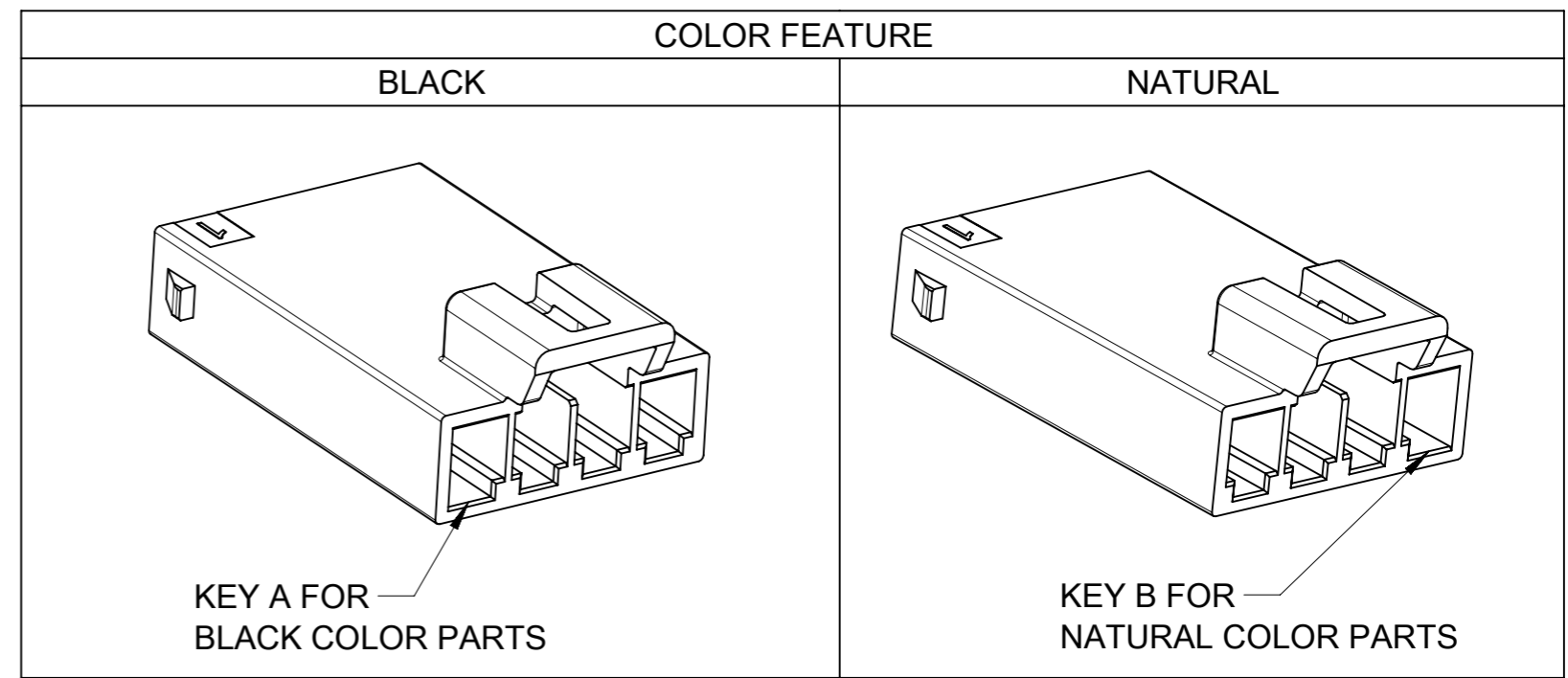
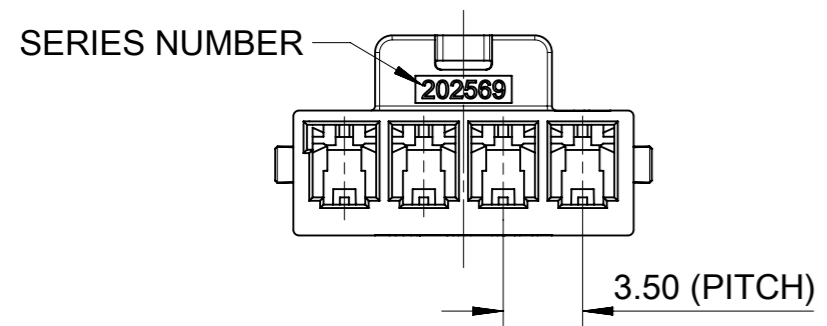
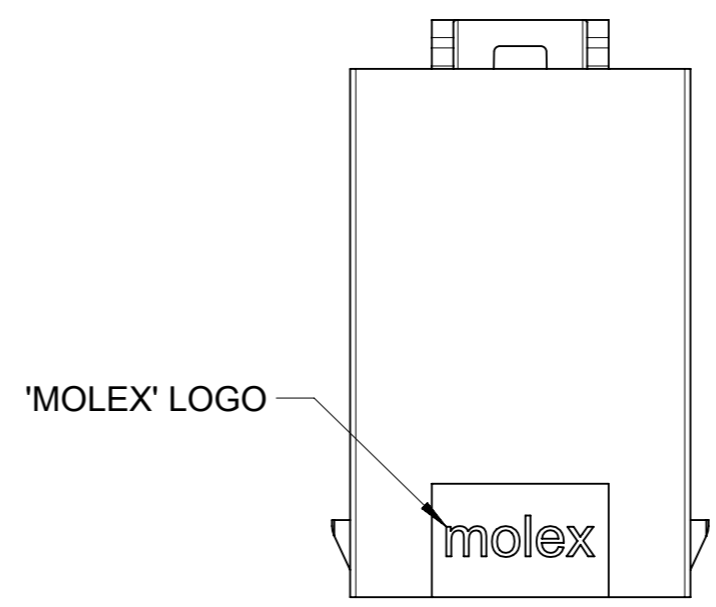
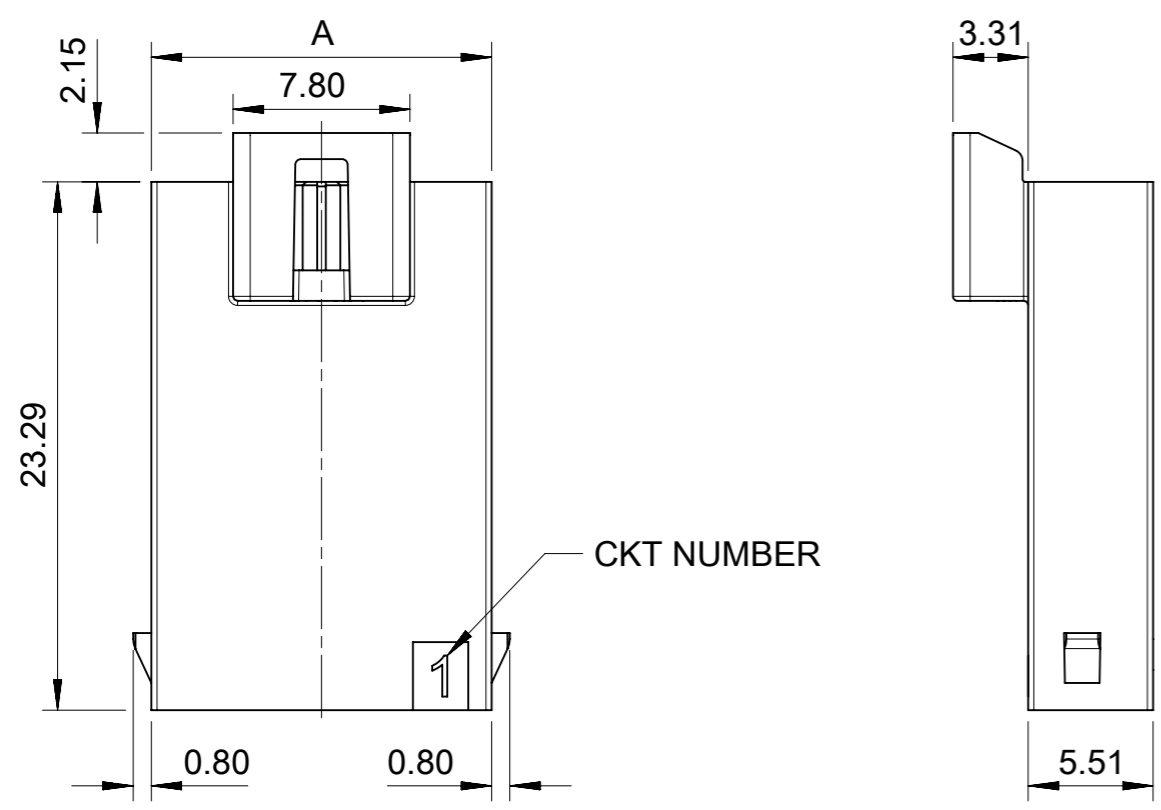


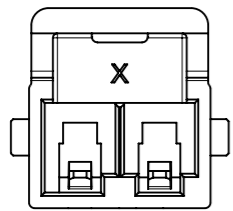
FREE HANGING PLUG PARTS

PART NUMBER	CIRCUIT SIZE	DIM 'A'	COLOR	TYPE
202569-3002	2	8.0	BLACK	FREE HANGING
202569-3003	3	11.5		
202569-3004	4	15.0		
202569-3005	5	18.5		
202569-3006	6	22.0		
202569-3007	7	25.5		
202569-3008	8	29.0		
202569-4002	2	8.0		
202569-4003	3	11.5		
202569-4004	4	15.0		
202569-4005	5	18.5		
202569-4006	6	22.0		
202569-4007	7	25.5		
202569-4008	8	29.0		

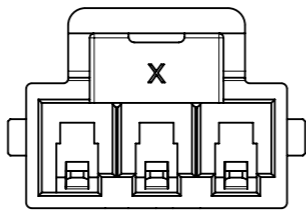


- NOTES:
1. MATERIAL: NYLON, 94V-0, BLACK AND NATURAL.
 2. PRODUCT SPECIFICATION: 2169461000-PS.
 3. PACKAGE SPECIFICATION: 2025691000-PK.
 4. TO USE WITH TERMINAL OF 216946-****.
 5. TO USE WITH TPA OF 172264-****.
 6. TO MATE WITH RECEPTACLE OF 172256-****.
 7. PARTS CONFORM TO CLASS 'B' REQUIREMENTS OF COSMETIC SPECIFICATION PS-45499-002.

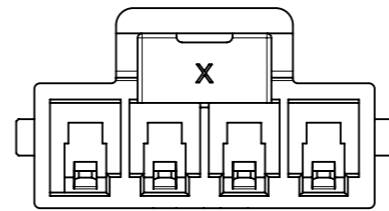
THIS DRAWING CONTAINS INFORMATION THAT IS PROPRIETARY TO MOLEX ELECTRONIC TECHNOLOGIES, LLC AND SHOULD NOT BE USED WITHOUT WRITTEN PERMISSION									
DIMENSION UNITS	SCALE	CURRENT REV DESC:				molex			
mm	NTS					PLUG HOUSING OF ULTRA-FIT WTW SR POWER CONNECTOR			
GENERAL TOLERANCES (UNLESS SPECIFIED)		EC NO: 810062				PRODUCT CUSTOMER DRAWING			
ANGULAR TOL ± °		DRWN: LEOW 2024/11/21				DOCUMENT NUMBER			
4 PLACES ±		CHK'D: XQZHANG 2025/01/20				2025691000-SD			
3 PLACES ±		APPR: XQZHANG 2025/01/20				DOC TYPE			
2 PLACES ± 0.2		INITIAL REVISION:				DOC PART			
1 PLACE ± 0.3		DRWN: GLLI 2021/07/06				REVISION			
0 PLACES ±		APPR: EDUGGER 2022/11/01				A1			
DRAFT WHERE APPLICABLE MUST REMAIN WITHIN DIMENSIONS		THIRD ANGLE PROJECTION	DRAWING	SERIES	MATERIAL NUMBER	CUSTOMER	SHEET NUMBER		
			A3-SIZE	202569		GENERAL MARKET	1 OF 6		



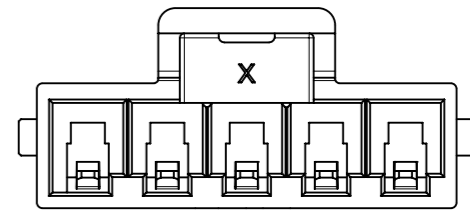
2CKT



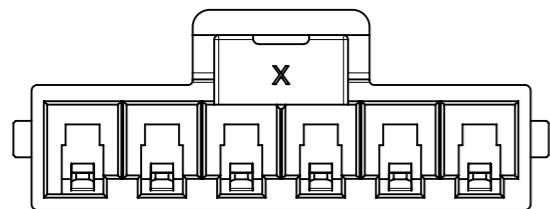
3CKT



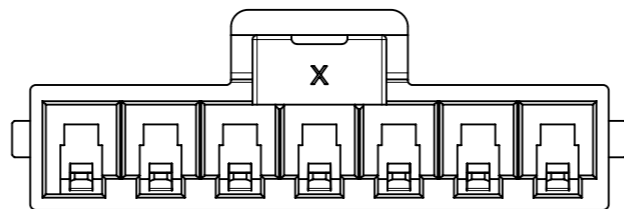
4CKT



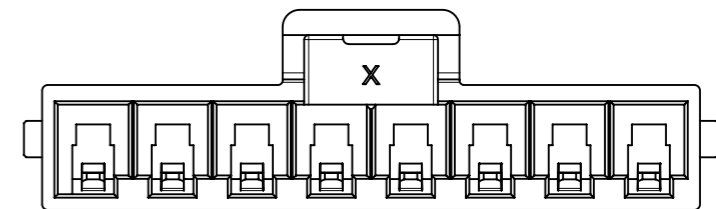
5CKT



6CKT



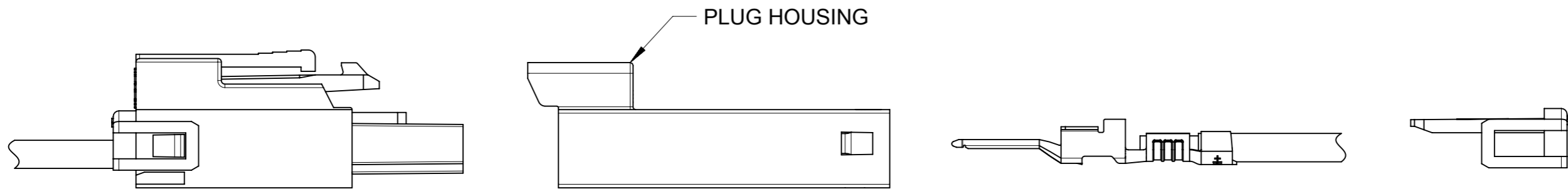
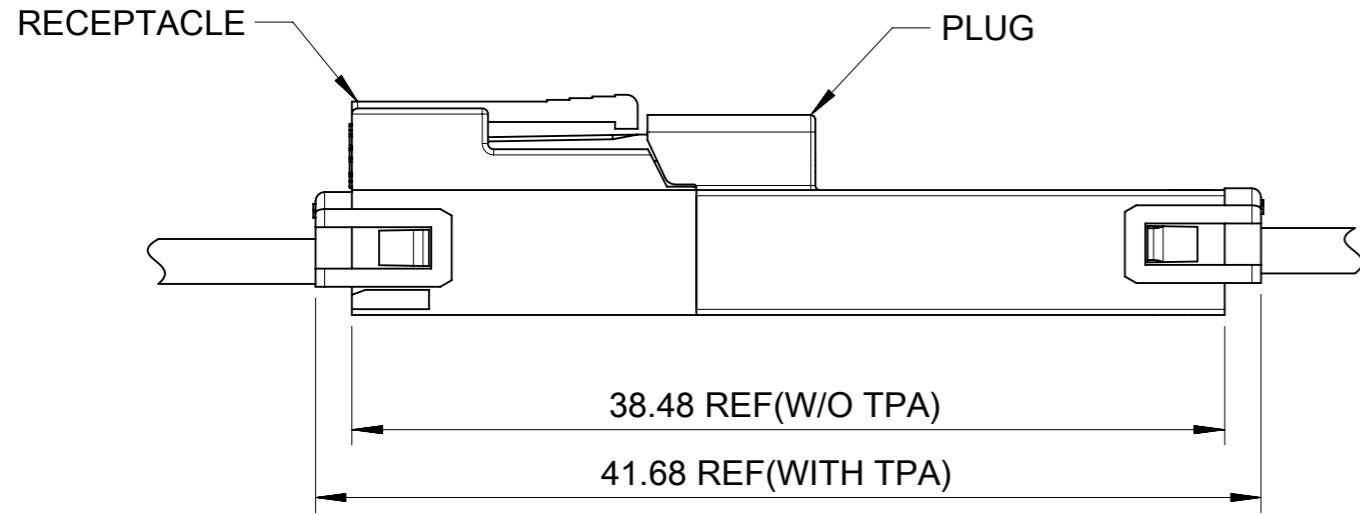
7CKT



8CKT

THIS DRAWING CONTAINS INFORMATION THAT IS PROPRIETARY TO MOLEX ELECTRONIC TECHNOLOGIES, LLC AND SHOULD NOT BE USED WITHOUT WRITTEN PERMISSION									
DIMENSION UNITS		SCALE		CURRENT REV DESC:				molex	
mm		NTS							
GENERAL TOLERANCES (UNLESS SPECIFIED)				EC NO: 810062				PLUG HOUSING OF ULTRA-FIT WTW SR POWER CONNECTOR	
ANGULAR TOL ± °				DRWN: LEOW 2024/11/21					
4 PLACES ±				CHK'D: XQZHANG 2025/01/20				PRODUCT CUSTOMER DRAWING	
3 PLACES ±				APPR: XQZHANG 2025/01/20					
2 PLACES ± 0.2				INITIAL REVISION:				DOCUMENT NUMBER	
1 PLACE ± 0.3				DRWN: GLLI 2021/07/06				2025691000-SD	
0 PLACES ±				APPR: EDUGGER 2022/11/01				DOC TYPE DOC PART REVISION	
DRAFT WHERE APPLICABLE MUST REMAIN WITHIN DIMENSIONS				THIRD ANGLE PROJECTION		DRAWING		SERIES	
						A3-SIZE		202569	
				MATERIAL NUMBER		CUSTOMER		SHEET NUMBER	
						GENERAL MARKET		2 OF 6	

FREE HANGING PLUG PARTS

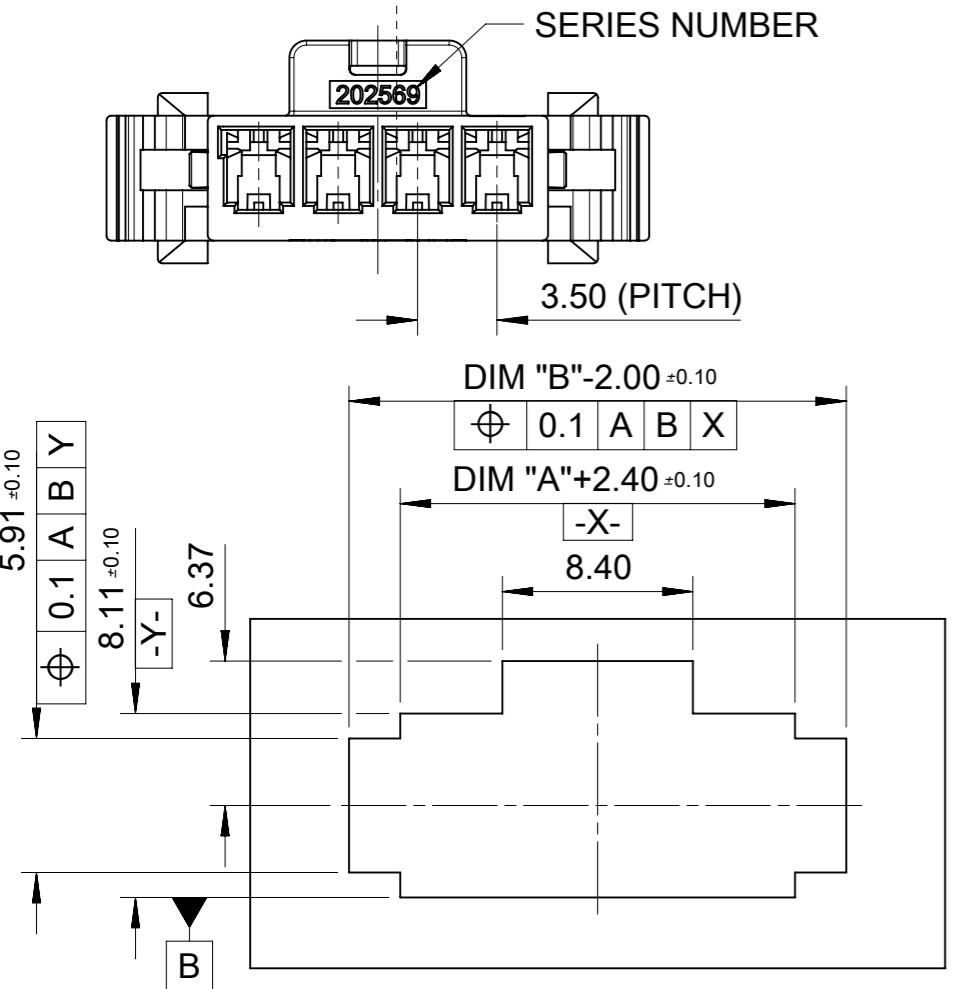
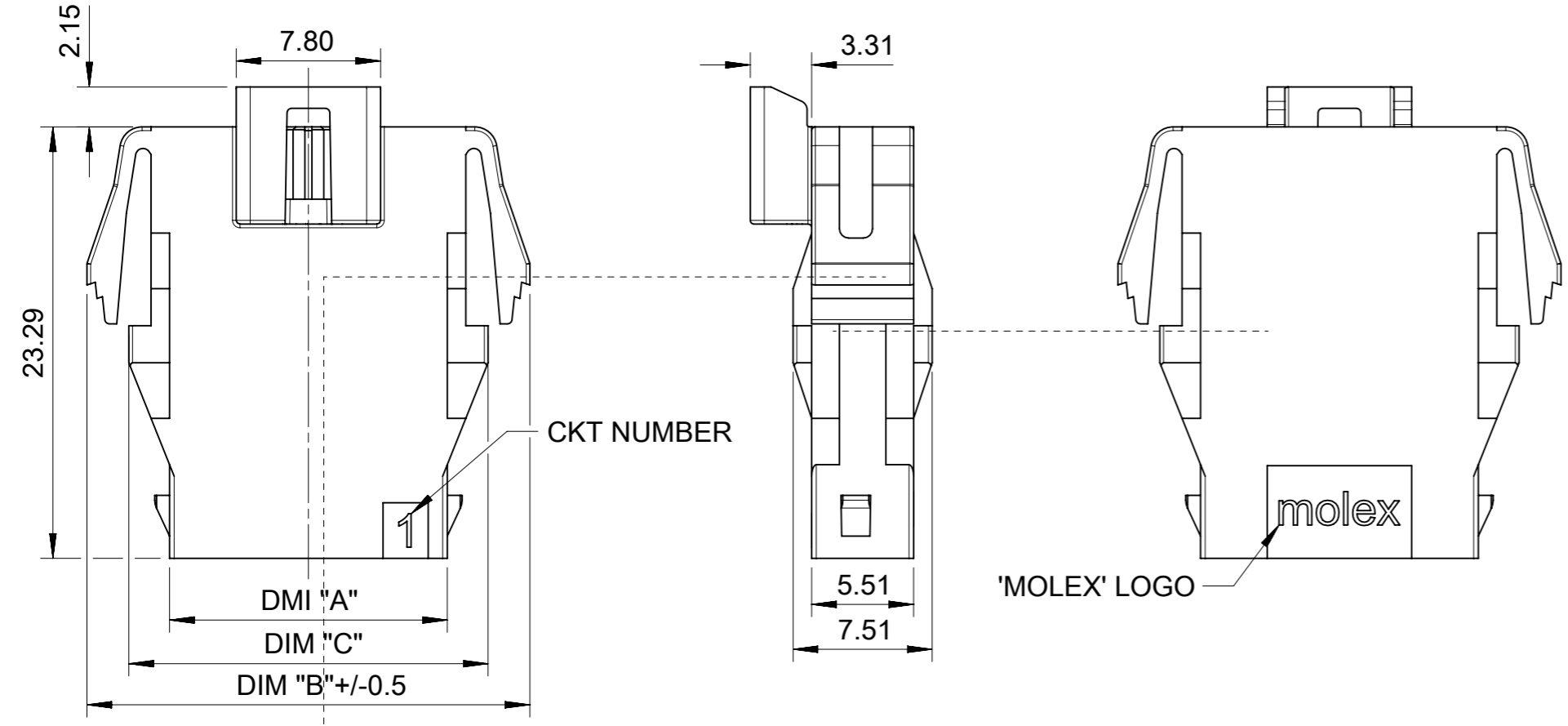


←
PLUG TERMINAL AND TPA ORIENTATION

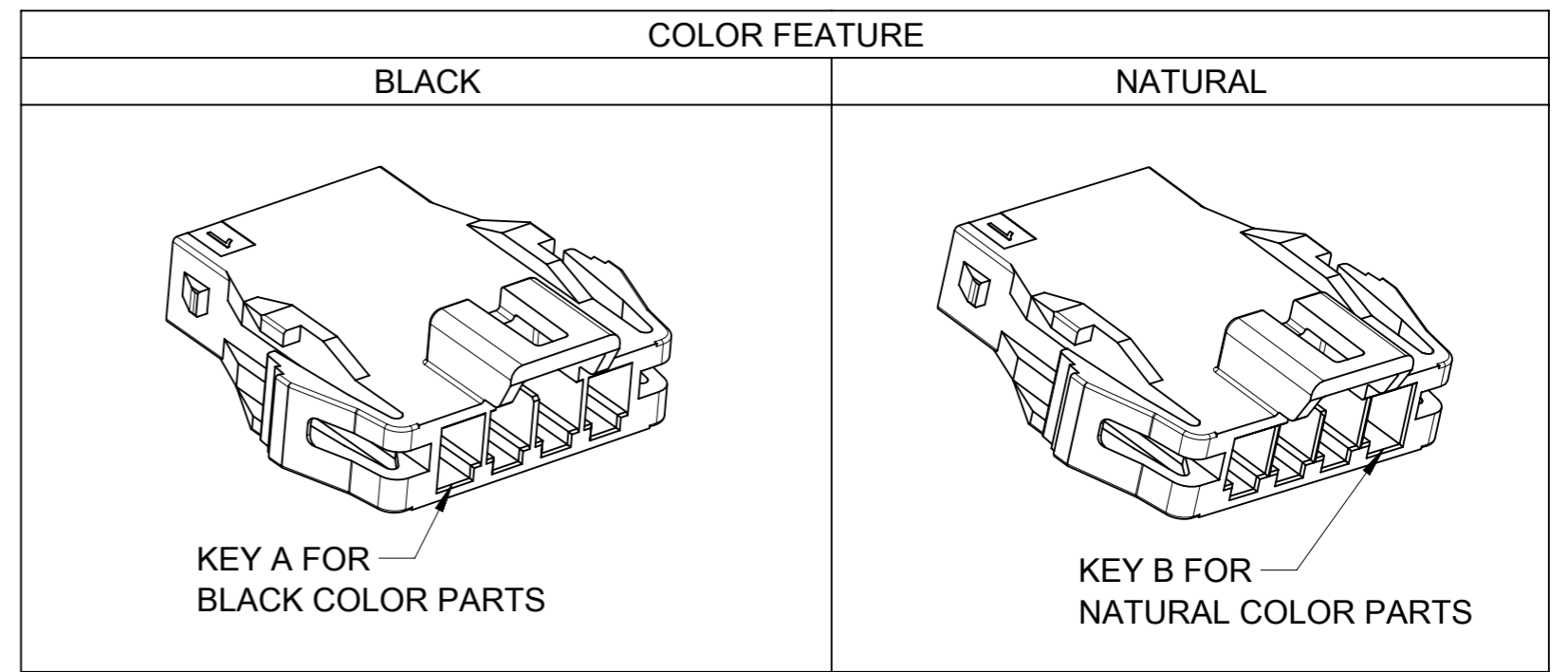
THIS DRAWING CONTAINS INFORMATION THAT IS PROPRIETARY TO MOLEX ELECTRONIC TECHNOLOGIES, LLC AND SHOULD NOT BE USED WITHOUT WRITTEN PERMISSION									
DIMENSION UNITS	SCALE	CURRENT REV DESC:				molex			
mm	NTS								
GENERAL TOLERANCES (UNLESS SPECIFIED)						PLUG HOUSING OF ULTRA-FIT WTW SR POWER CONNECTOR			
ANGULAR TOL	±					PRODUCT CUSTOMER DRAWING			
4 PLACES	±					DOCUMENT NUMBER			
3 PLACES	±					2025691000-SD			
2 PLACES	±					DOC TYPE			
1 PLACE	±					PSD			
0 PLACES	±					DOC PART			
						000			
						REVISION			
						A1			
DRAFT WHERE APPLICABLE MUST REMAIN WITHIN DIMENSIONS		THIRD ANGLE PROJECTION	DRAWING	SERIES	MATERIAL NUMBER	CUSTOMER	SHEET NUMBER		
			A3-SIZE	202569		GENERAL MARKET	3 OF 6		

PANEL MOUNT PLUG PARTS

PART NUMBER	CIRCUIT SIZE	DIM "A"	DIM "B"	DIM "C"	COLOR	TYPE
202569-3102	2	8.0	16.92	12.4	BLACK	PANEL MOUNT
202569-3103	3	11.5	20.42	15.9		
202569-3104	4	15.0	23.92	19.4		
202569-3105	5	18.5	27.42	22.9		
202569-3106	6	22.0	30.92	26.4		
202569-3107	7	25.5	34.42	29.9		
202569-3108	8	29.0	37.92	33.4		
202569-4102	2	8.0	16.92	12.4		
202569-4103	3	11.5	20.42	15.9	NATURAL	
202569-4104	4	15.0	23.92	19.4		
202569-4105	5	18.5	27.42	22.9		
202569-4106	6	22.0	30.92	26.4		
202569-4107	7	25.5	34.42	29.9		
202569-4108	8	29.0	37.92	33.4		



RECOMMENDED PANEL CUT OUT
(TOLERRANCE +/-0.05 THICKNESS=1.2~2.2MM)



THIS DRAWING CONTAINS INFORMATION THAT IS PROPRIETARY TO MOLEX ELECTRONIC TECHNOLOGIES, LLC AND SHOULD NOT BE USED WITHOUT WRITTEN PERMISSION		CURRENT REV DESC:		molex	
DIMENSION UNITS	SCALE				
mm	NTS			PLUG HOUSING OF ULTRA-FIT WTW SR POWER CONNECTOR	
GENERAL TOLERANCES (UNLESS SPECIFIED)		EC NO: 810062		PRODUCT CUSTOMER DRAWING	
ANGULAR TOL	± °	DRWN: LEOW	2024/11/21	DOCUMENT NUMBER	
4 PLACES	±	CHK'D: XQZHANG	2025/01/20	2025691000-SD	
3 PLACES	±	APPR: XQZHANG	2025/01/20	DOC TYPE	DOC PART
2 PLACES	± 0.2	INITIAL REVISION:		PSD	000
1 PLACE	± 0.3	DRWN: GLLI	2021/07/06	REVISION	
0 PLACES	±	APPR: EDUGGER	2022/11/01	A1	
DRAFT WHERE APPLICABLE MUST REMAIN WITHIN DIMENSIONS		THIRD ANGLE PROJECTION	DRAWING	SERIES	MATERIAL NUMBER
			A3-SIZE	202569	CUSTOMER
					GENERAL MARKET
					SHEET NUMBER
					4 OF 6

10

9

8

7

6

5

4

3

2

1

F

F

E

E

D

D

C

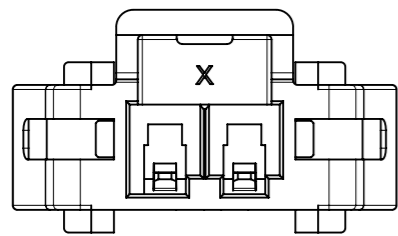
C

B

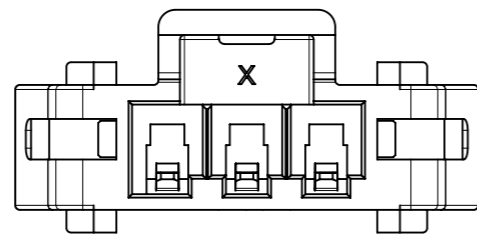
B

A

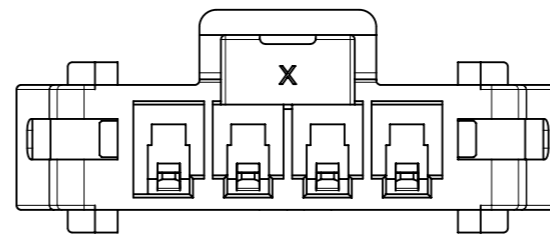
A



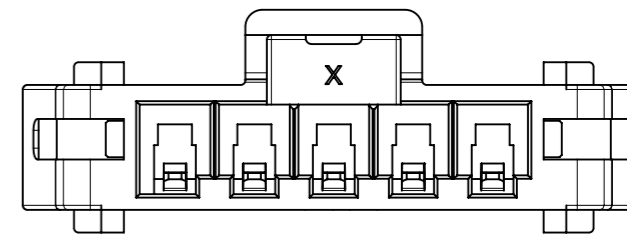
2CKT



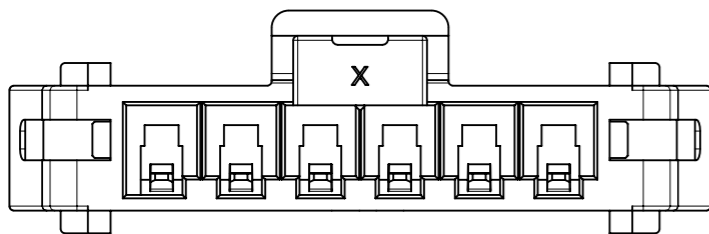
3CKT



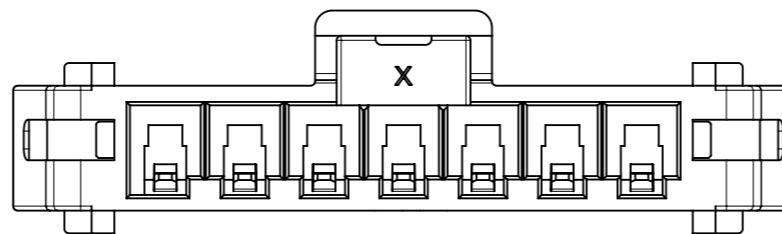
4CKT



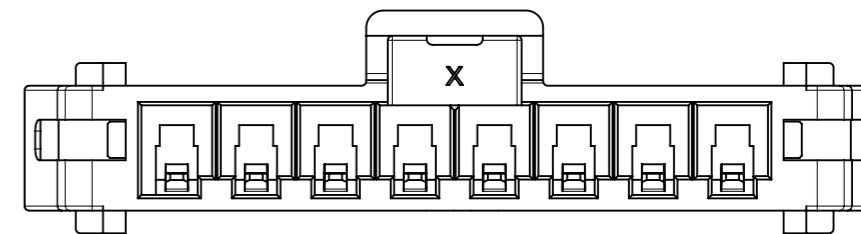
5CKT



6CKT



7CKT



8CKT

THIS DRAWING CONTAINS INFORMATION THAT IS PROPRIETARY TO MOLEX ELECTRONIC TECHNOLOGIES, LLC AND SHOULD NOT BE USED WITHOUT WRITTEN PERMISSION									
DIMENSION UNITS		SCALE		CURRENT REV DESC:					
mm		NTS							
GENERAL TOLERANCES (UNLESS SPECIFIED)				EC NO: 810062				PLUG HOUSING OF ULTRA-FIT WTW SR POWER CONNECTOR	
ANGULAR TOL ± °				DRWN: LEOW 2024/11/21					
4 PLACES ±				CHK'D: XQZHANG 2025/01/20				PRODUCT CUSTOMER DRAWING	
3 PLACES ±				APPR: XQZHANG 2025/01/20					
2 PLACES ± 0.2				INITIAL REVISION:				DOCUMENT NUMBER 2025691000-SD	
1 PLACE ± 0.3				DRWN: GLLI 2021/07/06					
0 PLACES ±				APPR: EDUGGER 2022/11/01				DOC TYPE DOC PART REVISION PSD 000 A1	
DRAFT WHERE APPLICABLE MUST REMAIN WITHIN DIMENSIONS		THIRD ANGLE PROJECTION		DRAWING		SERIES			
				A3-SIZE		202569		CUSTOMER	
								GENERAL MARKET	
								SHEET NUMBER	
								5 OF 6	

DOCUMENT STATUS	P1	RELEASE DATE	2025/01/20	09:13:04
-----------------	----	--------------	------------	----------

9

8

7

6

5

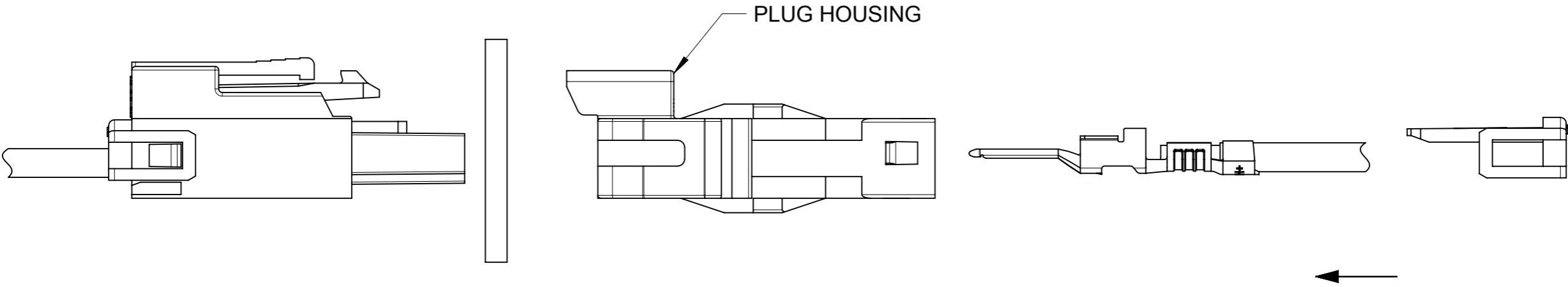
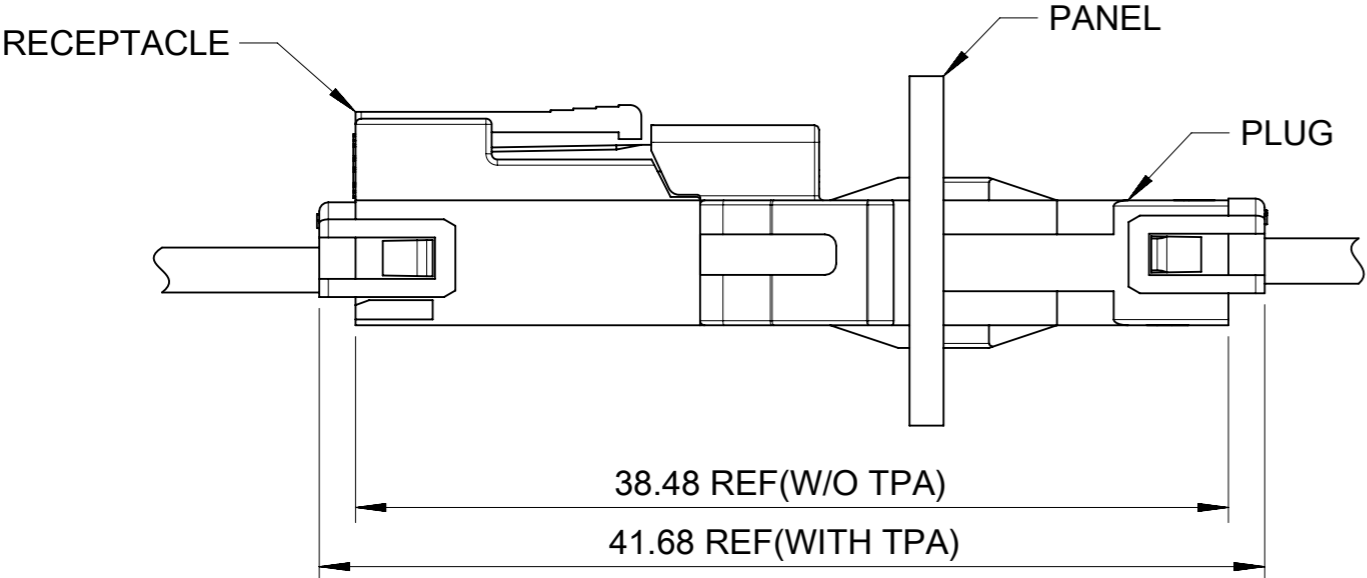
4

3

2

1

PANEL MOUNT PLUG PARTS



← PLUG TERMINAL AND TPA ORIENTATION

THIS DRAWING CONTAINS INFORMATION THAT IS PROPRIETARY TO MOLEX ELECTRONIC TECHNOLOGIES, LLC AND SHOULD NOT BE USED WITHOUT WRITTEN PERMISSION												
DIMENSION UNITS		SCALE		CURRENT REV DESC:				molex				
mm		NTS										
GENERAL TOLERANCES (UNLESS SPECIFIED)				EC NO: 810062 DRWN: LEOW 2024/11/21 CHK'D: XQZHANG 2025/01/20 APPR: XQZHANG 2025/01/20 INITIAL REVISION: DRWN: GLLI 2021/07/06 APPR: EDUGGER 2022/11/01				PLUG HOUSING OF ULTRA-FIT WTW SR POWER CONNECTOR				
ANGULAR TOL ± °								PRODUCT CUSTOMER DRAWING				
4 PLACES ±								DOCUMENT NUMBER		DOC TYPE	DOC PART	REVISION
3 PLACES ±								2025691000-SD		PSD	000	A1
2 PLACES ± 0.2								MATERIAL NUMBER		CUSTOMER		SHEET NUMBER
1 PLACE ± 0.3				A3-SIZE		GENERAL MARKET		6 OF 6				
0 PLACES ±				SERIES								
DRAFT WHERE APPLICABLE MUST REMAIN WITHIN DIMENSIONS		THIRD ANGLE PROJECTION		DRAWING		CUSTOMER		SHEET NUMBER				
				A3-SIZE		GENERAL MARKET		6 OF 6				