



Features and Benefits:

- Ⓢ Side entry, small footprint to minimize board space
- Ⓢ Modular Construction, 30u” Gold Contacts
- Ⓢ Meets IEEE 802.3 specification for 10/100Base-TX
- Ⓢ Industrial operating temperature -40 to +85oC
- Ⓢ Alternative to legacy J00- series PulseJacks
- Ⓢ High performance for EMI suppression

Electrical Specifications @ 25°C - Operating Temperature -40°C to 85°C

Part Number	Alternative to Legacy PulseJack	LED Configuration (L/R)	LED Pin Configuration	EMI Fingers	Isolation (Pri:Sec)	Connector Orientation
JXD0-0006NL	-	Green / Yellow	In-Line	Top & Sides	2250VDC / 60sec	Latch-Down
JXD0-0008NL	-	Green / Yellow	In-Line	Top & Sides	2250VDC / 60sec	Latch-Down
JXD0-0009NL	J00-0065NL / J0011D21BNL	Green / Yellow	Staggered	Top & Sides	2250VDC / 60sec	Latch-Down
JXD0-0014NL	-	Green-Yellow / Green-Yellow	In-Line	Top & Sides	2250VDC / 60sec	Latch-Down
JXD0-0016NL	J00-0045NL / J0011D01BNL	Green / Yellow	Staggered	None	2250VDC / 60sec	Latch-Down
JXD0-0017NL	-	Yellow / Green	In-Line	None	2250VDC / 60sec	Latch-Down
JXD0-0034NL	J00-0014NL / J0011D01NL	None	None	None	2250VDC / 60sec	Latch-Down

Electrical Specifications @ 25°C - Operating Temperature -40°C to 85°C

Part Number	Inductance (min) Media Side	Insertion Loss (Max)	Return Loss* (dB MIN) 100Ω (+15Ω)			Cross Talk (dB TYP)		Common Mode Rejection (dB TYP)	
	100KHz, 0.1mA	1-100 MHz	1- 30MHz	30-60MHz*	60-80MHz*	1- 30MHz	60-100MHz	1-30 MHz	30-200 MHz
JXD0-0006NL	350mH	-1.20dB	-16dB	-12dB	-10dB	-35dB	-30dB	-35dB	-30dB
JXD0-0008NL	350mH	-1.20dB	-16dB	-12dB	-10dB	-35dB	-30dB	-35dB	-30dB
JXD0-0009NL	350mH	-1.20dB	-16dB	-12dB	-10dB	-35dB	-30dB	-35dB	-30dB
JXD0-0014NL	350mH	-1.20dB	-16dB	-12dB	-10dB	-35dB	-30dB	-35dB	-30dB
JXD0-0016NL	350mH	-1.20dB	-16dB	-12dB	-10dB	-35dB	-30dB	-35dB	-30dB
JXD0-0017NL	350mH	-1.20dB	-16dB	-12dB	-10dB	-35dB	-30dB	-35dB	-30dB
JXD0-0034NL	350mH	-1.20dB	-16dB	-12dB	-10dB	-35dB	-30dB	-35dB	-30dB

* Return Loss is calculated using $-20 + [15 \times \text{LOG}_{10} (f/40\text{MHz})]$

Notes:

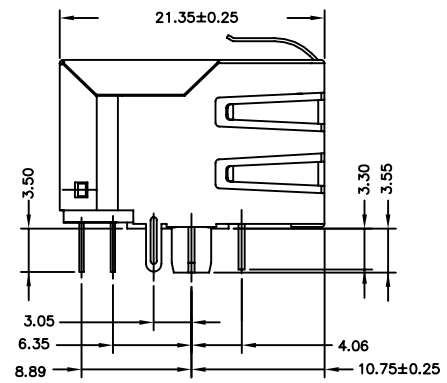
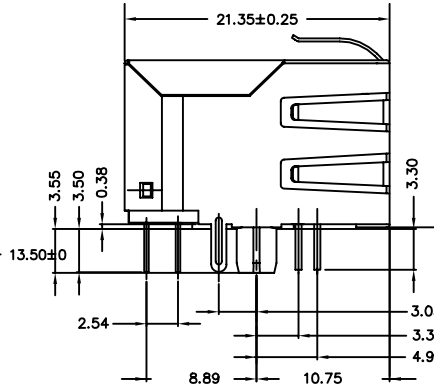
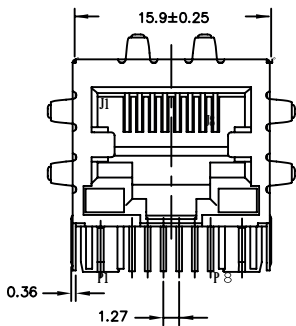
1. ROHS Compliant:
2. Plastic housing: thermoplastic material with flammability rating UL 94V-0 or better
3. Contacts plating: 30 micro-inch gold plating -except JXD0-0009NL at 15 micro-inch
4. Contacts base material: Phosphor bronze
5. Under plating: 30 micro-inch min nickel
6. Solder Tail Plating: 100 micro-inch (min), inches 100% tin, matte finish
7. Metal shield nickel plating on Copper Alloy
8. Jack cavity conforms to FCC part 68 subpart
9. PCB plating: HASL
10. Storage temperature: -40°C to +85°C
11. Compliance to J-STD:
 - A. J-STD-002: solderability at 245°C DIP and LOOK test
 - B. J-STD-020: level 1, no moisture sensitive
 - C. J-STD-075: R7, 260°C maximum through Wave Solder
12. Parts come in full Trays of 50pcs

Mechanicals

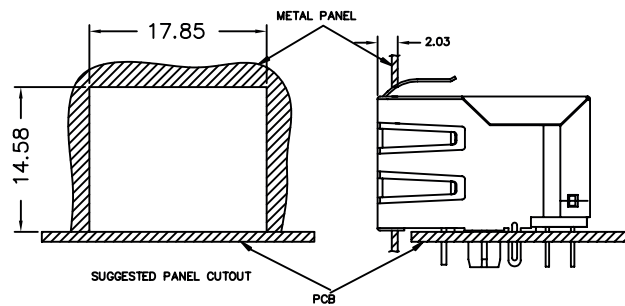
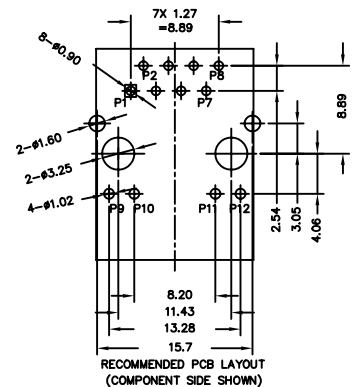
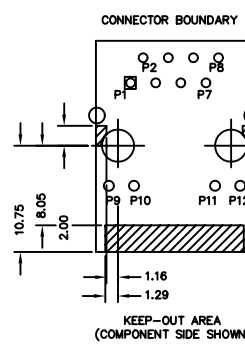
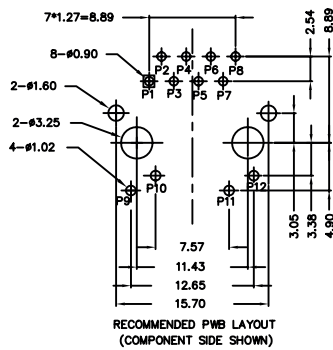
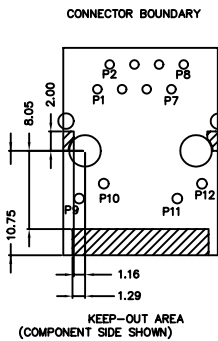
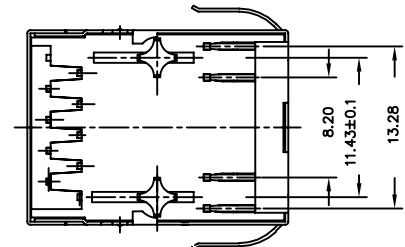
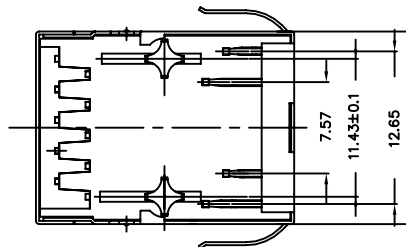
JXD0-00xxNL

Design with EMI Fingers and staggered LEDs

Design with EMI Fingers and In-Line LEDs



Dimensions:
Unless otherwise specified,
all tolerances are $\pm 0,25$

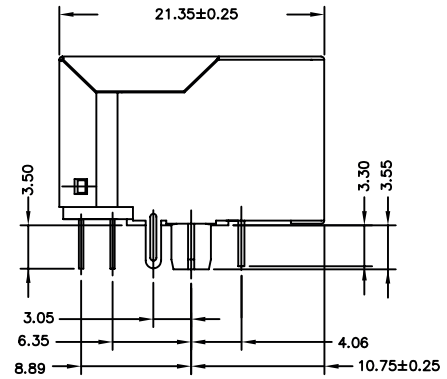
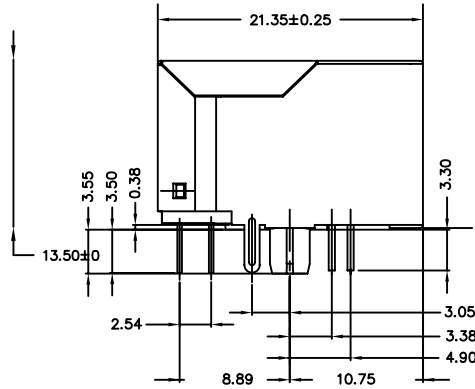
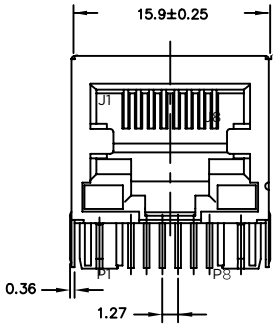


Mechanicals

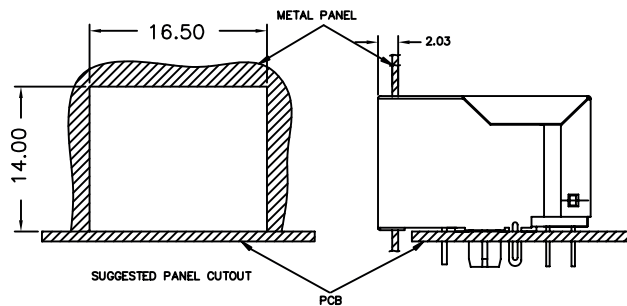
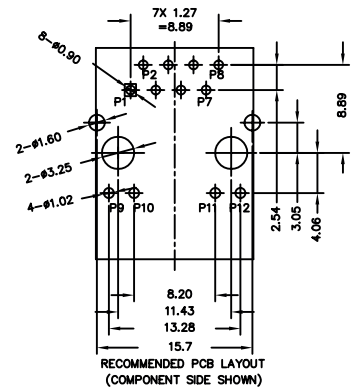
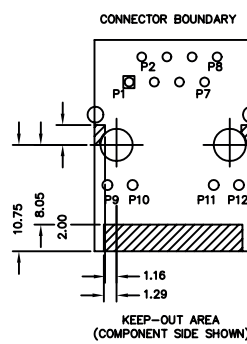
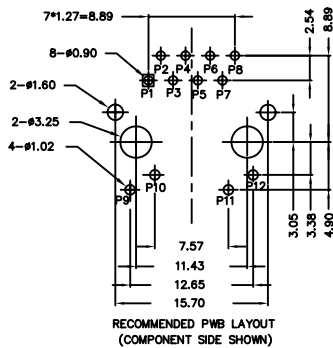
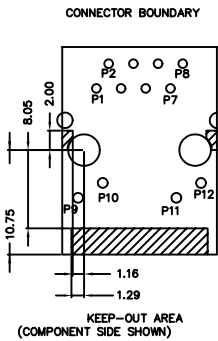
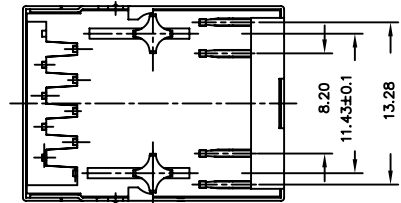
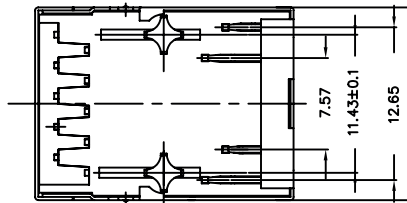
JXD0-00xxNL

Design without EMI Fingers and with staggered LEDs

Design without EMI Fingers and with In-Line LEDs



Dimensions:
Unless otherwise specified,
all tolerances are ±0,25

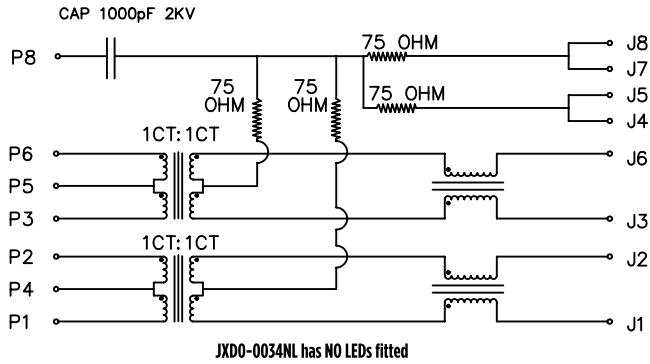


Industrial 10/100Base-TX PulseJack™ Integrated RJ45 Connector

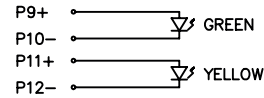
Rugged latch-Down Series designs for industrial and outdoor use

SCHEMATICS

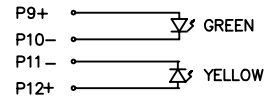
JXDO-0006/9/16/34NL



LEDs for JXDO-0006NL



LEDs for JXDO-0009/16NL

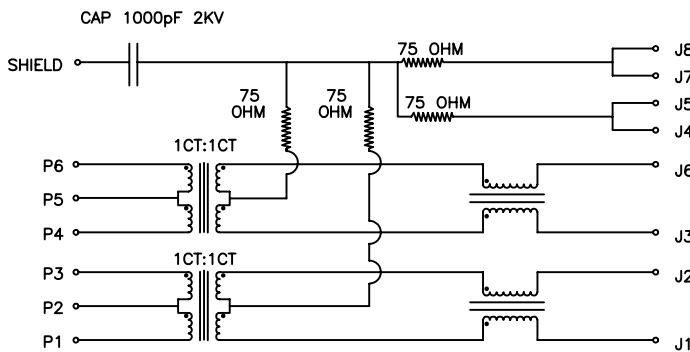


LED SPECIFICATION

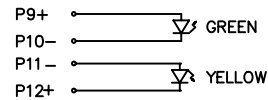
STANDARD LED	WAVELENGTH	FORWARD V(MAX)	TYP
GREEN	565nm	2.4V	2.2V
YELLOW	590nm	2.5V	2.1V

*WITH A FORWARD CURRENT OF 20mA

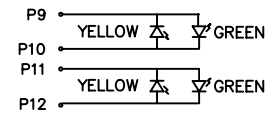
JXDO-0008/14NL



LEDs for JXDO-0008NL



LEDs for JXDO-0014NL

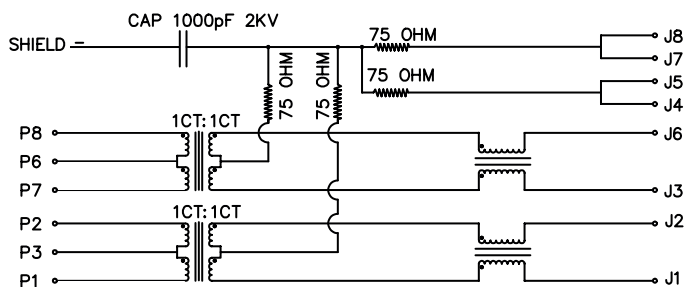


LED SPECIFICATION

STANDARD LED	WAVELENGTH	FORWARD V(MAX)	TYP
GREEN	565nm	2.4V	2.2V
YELLOW	590nm	2.5V	2.1V

*WITH A FORWARD CURRENT OF 20mA

JXDO-0017NL



LEDs for JXDO-0017NL



LED SPECIFICATION

STANDARD LED	WAVELENGTH	FORWARD V(MAX)	TYP
GREEN	565nm	2.4V	2.2V
YELLOW	590nm	2.5V	2.1V

*WITH A FORWARD CURRENT OF 20mA

For More Information:

Americas - prodinfo_network_americas@yageo.com | Europe - prodinfo_network_emea@yageo.com | Asia - prodinfo_network_asia@yageo.com

Performance warranty of products offered on this data sheet is limited to the parameters specified. Data is subject to change without notice. Other brand and product names mentioned herein may be trademarks or registered trademarks of their respective owners. © Copyright, 2025. Pulse Electronics, Inc. All rights reserved.

YAGEO Corporation and its affiliates do not recommend the use of commercial or automotive grade products for high reliability applications or manned space flight.