



**Free Height**

TE Internal #: 8-5353189-0

PCB Mount Receptacle, Vertical, Board-to-Board, 140 Position, .6 mm [.024 in] Centerline, Gold, Surface Mount, Signal, Black, Reel, Free Height

[View on TE.com >](#)

Connectors > PCB Connectors > PCB Headers & Receptacles



EU RoHS Compliance: **Compliant**

EU ELV Compliance: **Compliant**

PCB Connector Assembly Type: **PCB Mount Receptacle**

PCB Mount Orientation: **Vertical**

Connector System: **Board-to-Board**

**Features**

**Dimensions**

	.2 in
Stack Height	4 mm[.157 in]
Connector Height	4 mm[.157 in]

**Other**

EU RoHS Compliance	Compliant
EU ELV Compliance	Compliant

**Product Type Features**

PCB Connector Assembly Type	PCB Mount Receptacle
Connector System	Board-to-Board
Connector & Contact Terminates To	Printed Circuit Board

**Configuration Features**

Board-to-Board Configuration	Parallel
Stackable	Yes
PCB Mount Orientation	Vertical



Number of Positions	140
---------------------	-----

### Electrical Characteristics

Operating Voltage	50 VAC
-------------------	--------

Insulation Resistance	2 MΩ
-----------------------	------

Dielectric Withstanding Voltage (Max)	200 VAC
---------------------------------------	---------

### Body Features

Primary Product Color	Black
-----------------------	-------

### Contact Features

Contact Mating Area Plating Material Thickness	.2 μm[7.874 μin]
--	------------------

PCB Contact Termination Area Plating Material Thickness	.05 μm[1.9685 μin]
---	--------------------

Contact Layout	Inline
----------------	--------

Contact Base Material	Copper Alloy
-----------------------	--------------

PCB Contact Termination Area Plating Material	Gold
---	------

Contact Mating Area Plating Material	Gold
--------------------------------------	------

Contact Type	Socket
--------------	--------

Contact Current Rating (Max)	.5 A
------------------------------	------

### Termination Features

Rectangular Termination Post & Tail Width	.9 mm[.035 in]
---	----------------

Rectangular Termination Post & Tail Thickness	.15 mm[.006 in]
---	-----------------

Termination Method to PCB	Surface Mount
---------------------------	---------------

### Mechanical Attachment

Mating Alignment Type	Polarization
-----------------------	--------------

PCB Mount Retention Type	Solder Peg
--------------------------	------------

PCB Mount Alignment Type	Locating Posts
--------------------------	----------------

PCB Mount Retention	With
---------------------	------

PCB Mount Alignment	With
---------------------	------

Connector Mounting Type	Board Mount
-------------------------	-------------

Mating Alignment	With
------------------	------

### Housing Features

Housing Material	High Temperature Thermoplastic
------------------	--------------------------------

Centerline (Pitch)	.6 mm[.024 in]
--------------------	----------------

### Usage Conditions



Operating Temperature Range	-40 – 85 °C[-40 – 185 °F]
-----------------------------	---------------------------

### Operation/Application

Circuit Application	Signal
---------------------	--------

### Industry Standards

UL Flammability Rating	UL 94V-0
------------------------	----------

### Packaging Features

Packaging Quantity	1000
--------------------	------

Packaging Method	Reel
------------------	------

### Product Compliance

[For compliance documentation, visit the product page on TE.com>](#)

EU RoHS Directive 2011/65/EU	Compliant
------------------------------	-----------

EU ELV Directive 2000/53/EC	Compliant
-----------------------------	-----------

China RoHS 2 Directive MIIT Order No 32, 2016	No Restricted Materials Above Threshold
---	---

EU REACH Regulation (EC) No. 1907/2006	Current ECHA Candidate List: JUNE 2024 (241) Candidate List Declared Against: JAN 2021 (211) Does not contain REACH SVHC
--	--

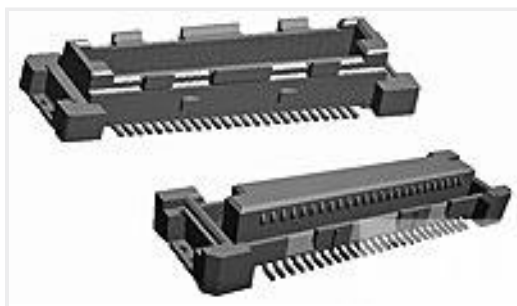
Halogen Content	Low Halogen - Br, Cl, F, I < 900 ppm per homogenous material. Also BFR/CFR/PVC Free
-----------------	---

Solder Process Capability	Reflow solder capable to 260°C
---------------------------	--------------------------------

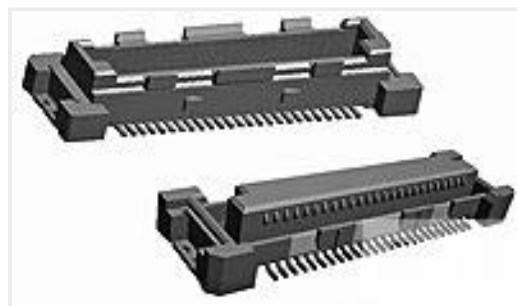
#### Product Compliance Disclaimer

This information is provided based on reasonable inquiry of our suppliers and represents our current actual knowledge based on the information they provided. This information is subject to change. The part numbers that TE has identified as EU RoHS compliant have a maximum concentration of 0.1% by weight in homogenous materials for lead, hexavalent chromium, mercury, PBB, PBDE, DBP, BBP, DEHP, DIBP, and 0.01% for cadmium, or qualify for an exemption to these limits as defined in the Annexes of Directive 2011/65/EU (RoHS2). Finished electrical and electronic equipment products will be CE marked as required by Directive 2011/65/EU. Components may not be CE marked. Additionally, the part numbers that TE has identified as EU ELV compliant have a maximum concentration of 0.1% by weight in homogenous materials for lead, hexavalent chromium, and mercury, and 0.01% for cadmium, or qualify for an exemption to these limits as defined in the Annexes of Directive 2000/53/EC (ELV). Regarding the REACH Regulation, the information TE provides on SVHC in articles for this part number is based on the latest European Chemicals Agency (ECHA) 'Guidance on requirements for substances in articles' posted at this URL: <https://echa.europa.eu/guidance-documents/guidance-on-reach>

### Compatible Parts



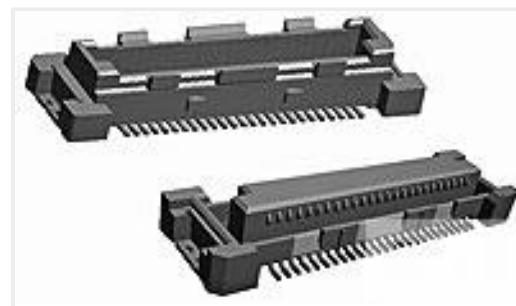
TE Part # 1-5316135-0  
.6FHP04H,140,S,STD,08/Sn,ST,NSYes



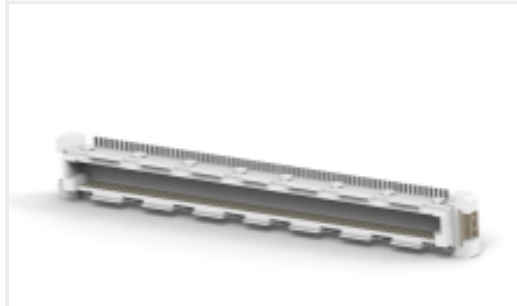
TE Part # 1-5353185-0  
.6FHP06H,140,S,STD,08/Sn,TR,NSYes



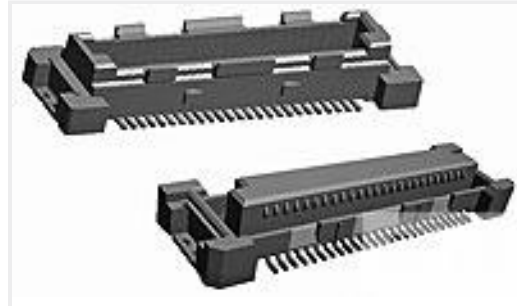
TE Part # 1-5353187-0  
.6FHP08H,140,S,STD,08/Sn,TR,NSYes



TE Part # 1-5353188-0  
.6FHP08H,140,S,GIG,08/Sn,TR,NSYes



TE Part # 1-5353183-0  
.6FHP04H,140,S,STD,08/Sn,TR,NSYes



TE Part # 1-5316559-0  
.6FHP04H,140,S,GIG,08/Sn,HT,SEYes



TE Part # 1-5316562-0  
.6FHP08H,140,S,GIG,08/Sn,ST,NSYes



TE Part # 1-5353184-0  
.6FHP04H,140,S,GIG,08/Sn,TR,NSYes



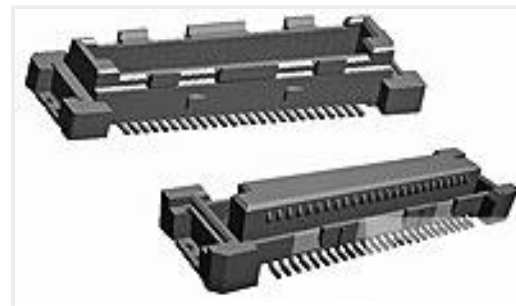
TE Part # 1-5353186-0  
.6FHP06H,140,S,GIG,08/Sn,TR,NSYes



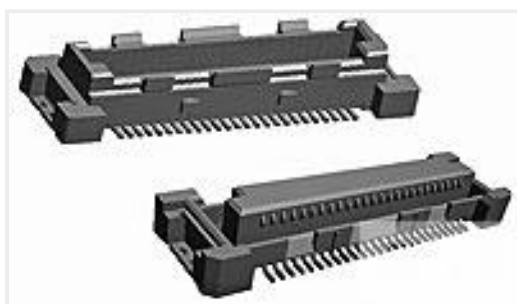
TE Part # 1-5353831-0  
.6FHP07H,140,S,GIG,08/Sn,TR,NS



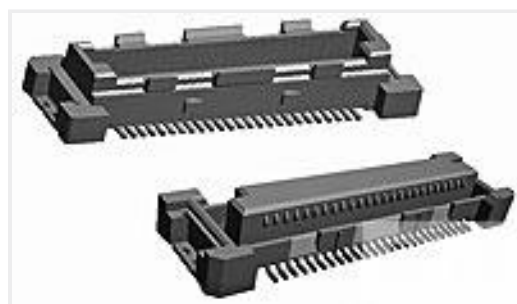
TE Part # 1-6123582-0  
.6FHP10H,140,S,GIG,08/Sn,ST,NSYes



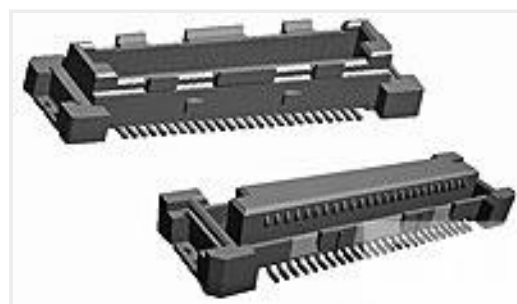
TE Part # 4-5353184-0  
.6FHP04H,140,S,GIG,30/Sn,TR,NSYes



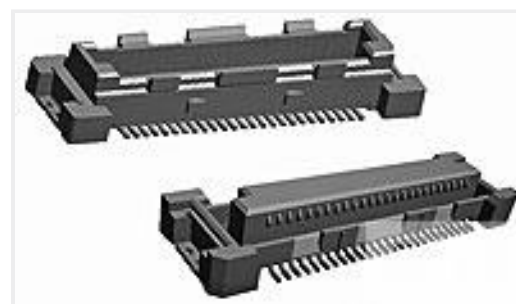
TE Part # 6-5316316-0  
.6FHP08H,140,S,GIG,08/Sn,H/T



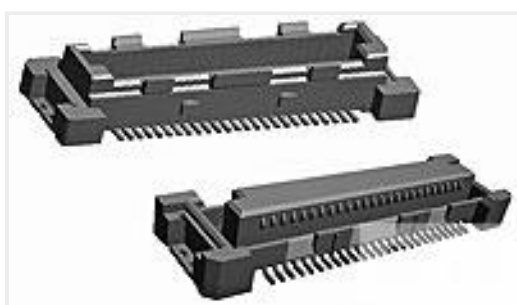
TE Part # 6-5316562-0  
.6FHP08H,140,S,GIG,08/Sn,ST,SEYes



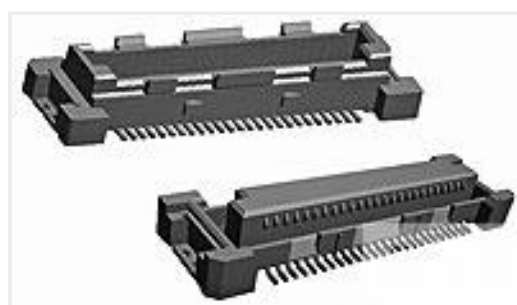
TE Part # 6-5353184-0  
.6FHP04H,140,S,GIG,08/Sn,TR,SEYes



TE Part # 6-5353188-0  
.6FHP08H,140,S,GIG,08/Sn,TR,SEYes

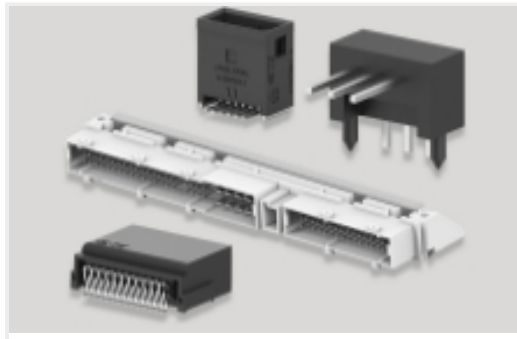


TE Part # 6473225-1  
.6FHP12H,140,S,GIG,08/Sn,ST,NSYes



TE Part # 1-5316316-0  
.6FHP08H,140,S,GIG,08/Sn,HT,SEYes

Also in the Series | **Free Height**



PCB Headers & Receptacles(751)

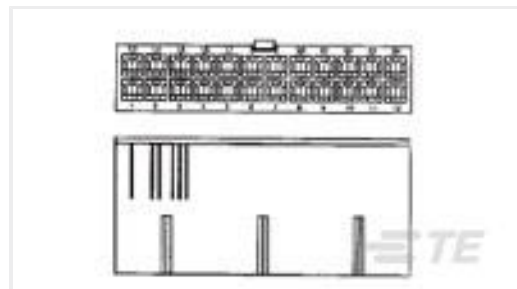
## Customers Also Bought



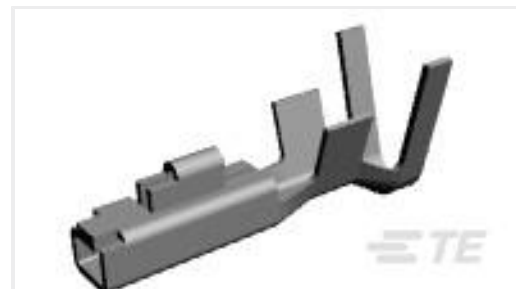
TE Part #1-1337604-0  
SMB SMT Skt 50Ohm Gold Pltd



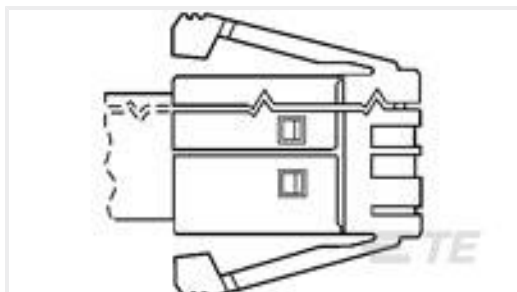
TE Part #5-826632-0  
AMPMODU II PIN HEADER 50P



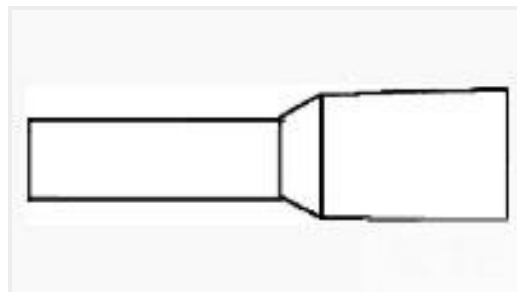
TE Part #1586000-2  
2P FH PLUG VAL-U-LOK V2



TE Part #175152-1  
UNIVERSAL POWER REC



TE Part #1-1761184-3  
8 SDL FLAT PLUG ASSY



TE Part #2-966067-2  
FER,WIRE,PL SLV,6.00/10,L12,YELLOW,LP



TE Part #1759546-1  
0.8mm Mini PCI-Express 9.9 Height



TE Part #66593-4  
TYPE VI PIN,MULTI-MATE,L.P.



TE Part #1878651-7  
QC105



TE Part #083506-E  
CODEZT STVCFL COLS \* 172  
CODIERUNG 1 083

## Documents

### Product Drawings

[.6FHR04H,140,S,STD,08/SP,TR,SEYes](#)

English

### CAD Files

[3D PDF](#)

English

### Customer View Model

[ENG\\_CVM\\_8-5353189-0\\_B.2d\\_dxf.zip](#)



English

**Customer View Model**

[ENG\\_CVM\\_8-5353189-0\\_B.3d\\_igs.zip](#)

English

**Customer View Model**

[ENG\\_CVM\\_8-5353189-0\\_B.3d\\_stp.zip](#)

English

By downloading the CAD file I accept and agree to the [Terms and Conditions](#) of use.

**Product Specifications**

[Application Specification](#)

English