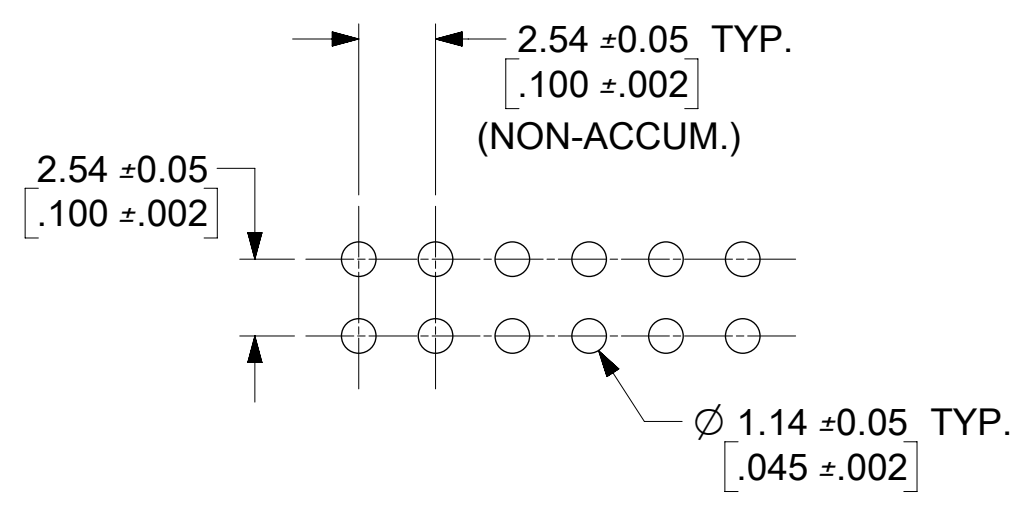
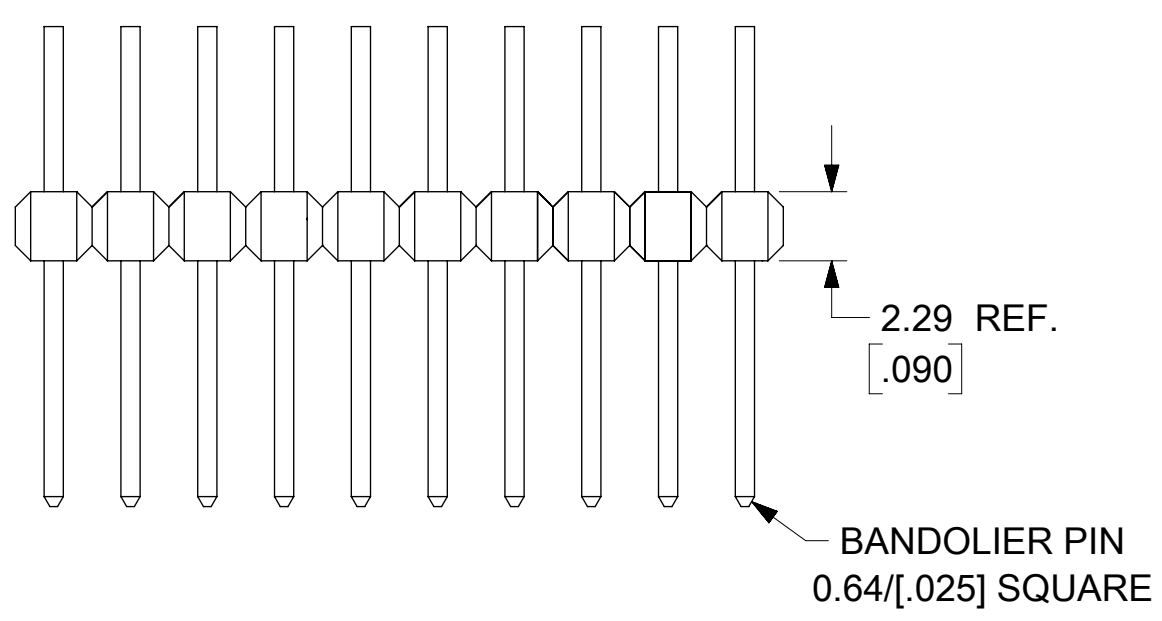
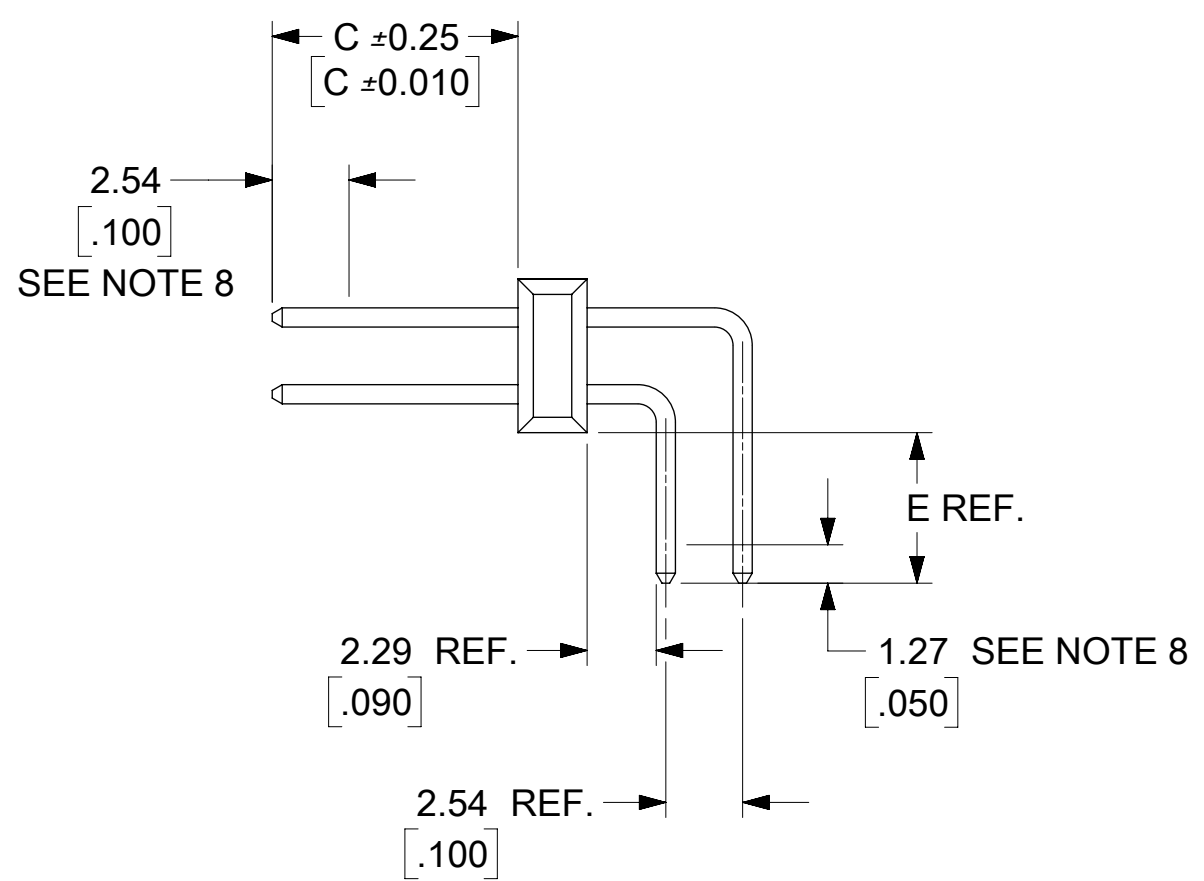
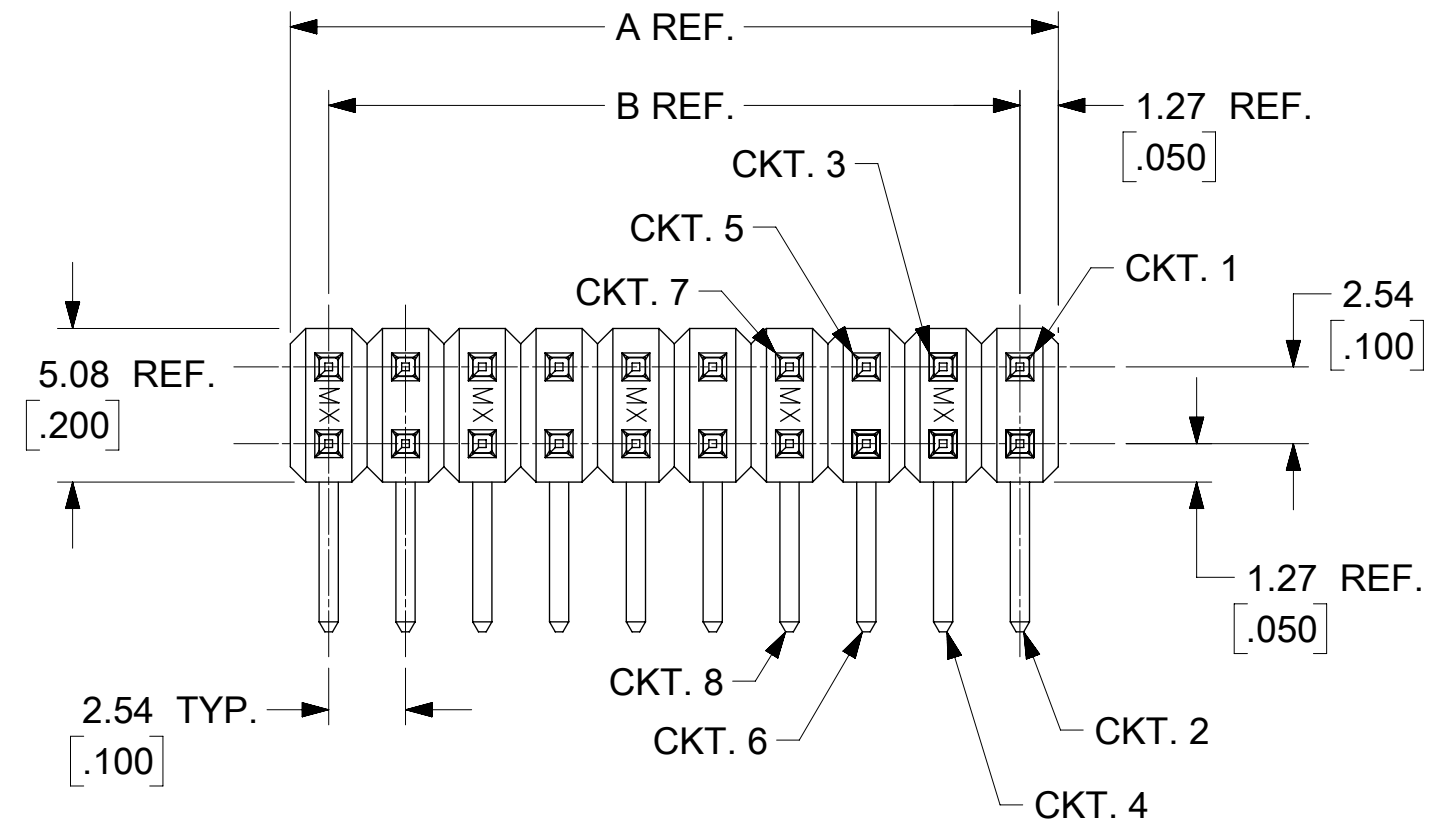


CKTS	A	B
04	5.08/[.200]	2.54/[.100]
06	7.62/[.300]	5.08/[.200]
08	10.16/[.400]	7.62/[.300]
10	12.70/[.500]	10.16/[.400]
12	15.24/[.600]	12.70/[.500]
14	17.78/[.700]	15.24/[.600]
16	20.32/[.800]	17.78/[.700]
18	22.86/[.900]	20.32/[.800]
20	25.40/[1.000]	22.86/[.900]
22	27.94/[1.100]	25.40/[1.000]
24	30.48/[1.200]	27.94/[1.100]
26	33.02/[1.300]	30.48/[1.200]
28	35.56/[1.400]	33.02/[1.300]
30	38.10/[1.500]	35.56/[1.400]



RECOMMENDED P.C. BOARD HOLE LAYOUT



- NOTES:
- MATERIAL: WAFER - HIGH TEMPERATURE THERMAL PLASTIC, 94V-0; COLOR: BLACK
PIN - COPPER ALLOY
 - PLATING:
TIN - 0.00381/[.000150] MINIMUM TIN PLATE OVER NICKEL PLATE.
15 GOLD - 0.00038/[.000015] MINIMUM GOLD PLATE IN SELECT AREA, 0.00191/[.000075] MINIMUM TIN PLATE IN SELECT AREA, OVER NICKEL PLATE OVERALL.
30 GOLD - 0.00076/[.000030] MINIMUM GOLD PLATE IN SELECT AREA, 0.00191/[.000075] MINIMUM TIN PLATE IN SELECT AREA, OVER NICKEL PLATE OVERALL.
* THE PRIMARY SHIPPING CARTON WILL BE LABELED "COMPLIANT TO RoHS DIRECTIVE 2002/95/EC AND ELV ANNEX II OF DIRECTIVE 2000/53/EC". CARTONS WITHOUT THIS LABEL MAY CONTAIN PRODUCT WITH LEAD.
 - PRODUCT CONFORMS TO PS-71764.
 - PACKAGING INFORMATION:
FOR 4 THRU 8 CIRCUIT PARTS USE PK-70873-0353
FOR 10 CIRCUITS AND OVER USE PK-70873-0075
 - FOR ILLUSTRATION PURPOSES, 20 (DUAL 10) CIRCUIT SIZE IS SHOWN.
 - PINS MUST MEET SOLDERABILITY SPEC. ES-152, EXCEPT VOIDS ARE PERMISSIBLE AT BANDOLIER PIN AT BANDOLIER PIN FAYING SURFACE. (APPROX. 0.64/[.025] LNG X 0.15/[.006] WD. REF.) 2 LOCATIONS
 - WAFER TO BE FLAT WITHIN 0.03 MM/CM OR [.003 IN./IN]
 - MEASURE POINT FOR PLATING THICKNESS.
 - THIS PART CONFORMS TO CLASS B REQUIREMENTS OF COSMETIC SPECIFICATION PS-45499-002

THIS DRAWING CONTAINS INFORMATION THAT IS PROPRIETARY TO MOLEX ELECTRONIC TECHNOLOGIES, LLC AND SHOULD NOT BE USED WITHOUT WRITTEN PERMISSION

DIMENSION UNITS MM/INCH	SCALE 4:1	CURRENT REV DESC: REMOVED OBSOLETE PART NUMBERS AS PER PCN#515931	molex		
GENERAL TOLERANCES (UNLESS SPECIFIED)		EC NO: 812933			
4 PLACES ±	±	DRWN: MADHAM5 2025/02/07	PRODUCT CUSTOMER DRAWING		
3 PLACES ±	± 0.01	CHK'D: GGA 2025/03/03	DOCUMENT NUMBER		
2 PLACES ±	0.25 ± 0.01	APPR: GGA 2025/03/03	SD-71764-001		
1 PLACE ±	0.25 ±	INITIAL REVISION:	DOC TYPE	DOC PART	REVISION
0 PLACES ±	±	DRWN: CAC 1985/08/23	PSD	001	A4
ANGULAR TOL ±	0.5 °	APPR: DJB 1985/08/23	MATERIAL NUMBER	CUSTOMER	SHEET NUMBER
DRAFT WHERE APPLICABLE MUST REMAIN WITHIN DIMENSIONS	THIRD ANGLE PROJECTION	DRAWING	SEE TABLE	GENERAL MARKET	1 OF 3
		C-SIZE	71764		

ITEM NO: 71764-0004/0030, 9003		
DIM. C		6.10/[.240]
DIM. E (REF.)		2.79/[.110]
FINISH		TIN
CONNECTOR END PLATING		TIN
P.C. BOARD END PLATING		TIN
PACKAGING		SEE NOTE 4 SHEET 1
CKTS	ITEM NUMBER	VOIDS
04	71764-0004	
06	71764-0006	
08	71764-0008	
10	71764-0010	
12	71764-0012	
14	71764-0014	
16	71764-0016	
18	71764-0018	
20	71764-0020	
22	71764-0022	
24	71764-0024	
26	71764-0026	
28	71764-0028	
30	71764-0030	
06	71764-9003	3

ITEM NO: 71764-0104/0130, 9001, 9004		
DIM. C		6.10/[.240]
DIM. E (REF.)		2.79/[.110]
FINISH		15 GOLD
CONNECTOR END PLATING		GOLD
P.C. BOARD END PLATING		TIN
PACKAGING		SEE NOTE 4 SHEET 1
CKTS	ITEM NUMBER	VOIDS
04	71764-0104	
06	71764-0106	
08	71764-0108	
10	71764-0110	
12	71764-0112	
14	71764-0114	
16	71764-0116	
18	71764-0118	
20	71764-0120	
22	71764-0122	
24	71764-0124	
26	71764-0126	
28	71764-0128	
30	71764-0130	
06	71764-9001	3, 4
08	---	5, 6

ITEM NO: 71764-0204/0230, 9000, 9002		
DIM. C		6.10/[.240]
DIM. E (REF.)		2.79/[.110]
PLATING FINISH		30 GOLD
CONNECTOR END PLATING		GOLD
P.C. BOARD END PLATING		TIN
PACKAGING		SEE NOTE 4 SHEET 1
CKTS	ITEM NUMBER	VOIDS
04	71764-0204	
06	71764-0206	
08	71764-0208	
10	71764-0210	
12	71764-0212	
14	71764-0214	
16	71764-0216	
18	71764-0218	
20	71764-0220	
22	71764-0222	
24	71764-0224	
26	71764-0226	
28	71764-0228	
30	71764-0230	
06	71764-9002	3, 4
10	71764-9000	8

THIS DRAWING CONTAINS INFORMATION THAT IS PROPRIETARY TO MOLEX ELECTRONIC TECHNOLOGIES, LLC AND SHOULD NOT BE USED WITHOUT WRITTEN PERMISSION										
DIMENSION UNITS		SCALE		CURRENT REV DESC: REMOVED OBSOLETE PART NUMBERS AS PER PCN#515931				molex		
MM/INCH		1:1								
GENERAL TOLERANCES (UNLESS SPECIFIED)				EC NO: 812933 DRWN: MADHAM5 2025/02/07 CHK'D: GGA 2025/03/03 APPR: GGA 2025/03/03				PRODUCT CUSTOMER DRAWING		
4 PLACES		±	±							
3 PLACES		±	± 0.01							
2 PLACES		± 0.25	± 0.01							
1 PLACE		± 0.25	±							
0 PLACES		±	±	INITIAL REVISION:		DOCUMENT NUMBER		DOC TYPE	DOC PART	REVISION
ANGULAR TOL		± 0.5 °		DRWN: CAC 1985/08/23		SD-71764-001		PSD	001	A4
DRAFT WHERE APPLICABLE MUST REMAIN WITHIN DIMENSIONS		THIRD ANGLE PROJECTION		DRAWING		SERIES		MATERIAL NUMBER		SHEET NUMBER
				C-SIZE		71764		SEE TABLE		GENERAL MARKET
										2 OF 3

