

1SNK508150R0000 ✓ ACTIVE

ENTRELEC | ENTRELEC SNK

TE Internal #: 1SNK508150R0000

Ground, Screw Clamp Terminal Block, Green & Yellow, Product Spacing 8 mm [.315 in], 2 Position, Screw Terminal, ENTRELEC SNK, Modular Terminal Blocks

[View on TE.com >](#)



Connectors > Terminal Blocks & Strips > Modular Terminal Blocks



Block Function: **Ground**

Modular Terminal Block Product Type: **Screw Clamp Terminal Block**

Primary Product Color: **Green & Yellow**

Product Spacing: **8 mm [.315 in]**

Number of Positions: **2**

## Features

### Configuration Features

Block Function	Ground
Number of Positions	2
Number of Levels	1
Gauge Type	A5-B5
Number of Circuits	1

### Product Type Features

Modular Terminal Block Product Type	Screw Clamp Terminal Block
-------------------------------------	----------------------------

### Body Features

Primary Product Color	Green & Yellow
Product Weight	22.5 g[.886 oz]

### Dimensions

Product Spacing	8 mm[.315 in]
Wire Size	10 mm <sup>2</sup>
Product Depth	47.3 mm[1.862 in]
Tool Size	4 mm[.157 in]
Wire Stripping Length	12 mm[.472 in]
Main Circuit Capacity - 1 Rigid Stranded Conductor per Screw Clamp	24 – 6 AWG

Main Circuit Capacity - 1 Non-Insulated Ferrule per Screw Clamp	.5 – 10 mm <sup>2</sup>
Main Circuit Capacity - 1 Insulated Ferrule per Screw Clamp	.5 – 6 mm <sup>2</sup>
Main Circuit Capacity - 1 Flexible Conductor per Screw Clamp	24 – 6 AWG
Product Length	47.3 mm[1.86 in]
Product Height	59.5 mm[2.342 in]

### Termination Features

Termination Method to Wire & Cable	Screw Terminal
------------------------------------	----------------

### Operation/Application

Circuit Application	Power & Signal
---------------------	----------------

### Mechanical Attachment

Connector Mounting Type	DIN Rail
DIN Rail Mounting Type	TH35-15, TH35-7.5

### Usage Conditions

Operating Temperature Range	-55 – 110 °C[-67 – 230 °F]
Installation Temperature Range	-5 – 40 °C[23 – 104 °F]

### Other

EU RoHS Compliance	Compliant
EU ELV Compliance	Compliant

### Electrical Characteristics

Impulse Withstanding Voltage Rating (IEC)	8000 V
Dielectric Withstanding Voltage (Max)	2200 V
Short-Time Withstanding Current Rating @ 1s	1200 A

### Housing Features

Housing Material	Polyamide
------------------	-----------

### Industry Standards

IP Rating	IP20
UL Flammability Rating	UL 94V-0

### Product Compliance

For compliance documentation, visit the product page on [TE.com](#)>

EU RoHS Directive 2011/65/EU	Compliant
------------------------------	-----------



EU ELV Directive 2000/53/EC

Compliant

China RoHS 2 Directive MIIT Order No 32, 2016

No Restricted Materials Above Threshold

EU REACH Regulation (EC) No. 1907/2006

Current ECHA Candidate List: JUNE 2024 (241)  
 Candidate List Declared Against: JUNE 2024 (241)  
 Does not contain REACH SVHC

Halogen Content

Low Halogen - Br, Cl, F, I < 900 ppm per homogenous material. Also BFR/CFR/PVC Free

Solder Process Capability

Not reviewed for solder process capability

Product Compliance Disclaimer

This information is provided based on reasonable inquiry of our suppliers and represents our current actual knowledge based on the information they provided. This information is subject to change. The part numbers that TE has identified as EU RoHS compliant have a maximum concentration of 0.1% by weight in homogenous materials for lead, hexavalent chromium, mercury, PBB, PBDE, DBP, BBP, DEHP, DIBP, and 0.01% for cadmium, or qualify for an exemption to these limits as defined in the Annexes of Directive 2011/65/EU (RoHS2). Finished electrical and electronic equipment products will be CE marked as required by Directive 2011/65/EU. Components may not be CE marked. Additionally, the part numbers that TE has identified as EU ELV compliant have a maximum concentration of 0.1% by weight in homogenous materials for lead, hexavalent chromium, and mercury, and 0.01% for cadmium, or qualify for an exemption to these limits as defined in the Annexes of Directive 2000/53/EC (ELV). Regarding the REACH Regulation, the information TE provides on SVHC in articles for this part number is based on the latest European Chemicals Agency (ECHA) 'Guidance on requirements for substances in articles' posted at this URL: <https://echa.europa.eu/guidance-documents/guidance-on-reach>

## Compatible Parts



TE Part # 1SNK160000R0000  
MC812



TE Part # 1SNK505910R0000  
ES4



TE Part # 1SNK900001R0000  
BAM4



TE Part # 1SNK900002R0000  
BAZ1



TE Part # 1SNK900103R0000  
CS-R1



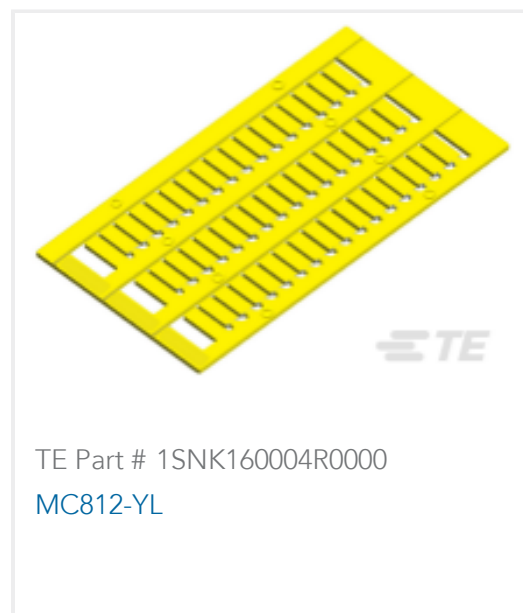
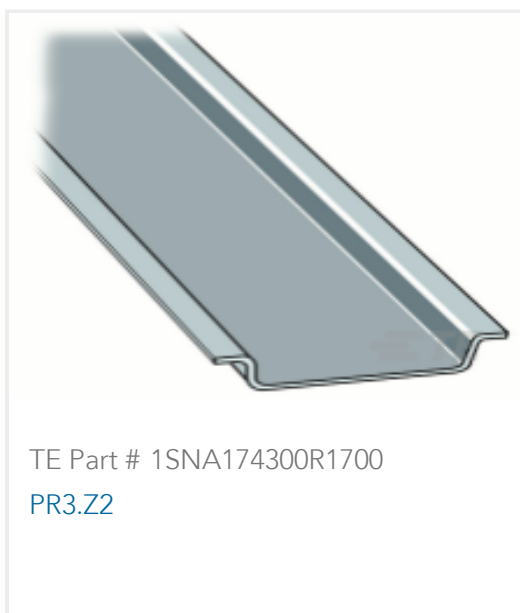
TE Part # 1SNK900104R0000  
ES-TC8



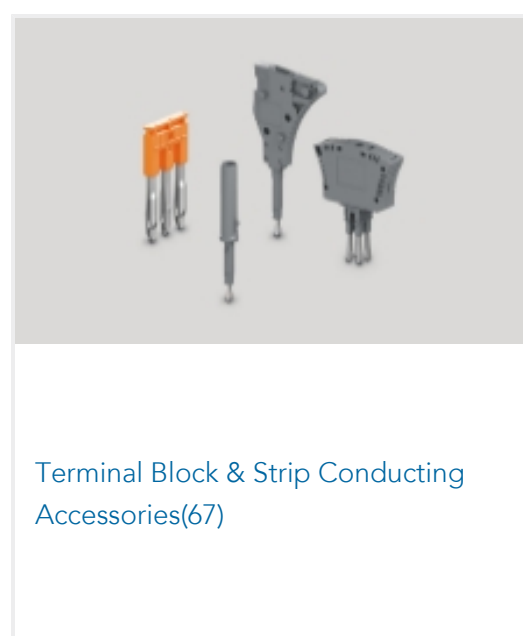
TE Part # 1SNK900200R0000  
TC5



TE Part # 1SNK900201R0000  
TC5-R1



Also in the Series | **ENTRELEC SNK**



Customers Also Bought





## Documents

### CAD Files

[3D PDF](#)

[3D](#)

[Customer View Model](#)

[ENG\\_CVM\\_CVM\\_1SNK508150R0000\\_A.2d\\_dxf.zip](#)

English

[Customer View Model](#)

[ENG\\_CVM\\_CVM\\_1SNK508150R0000\\_A.3d\\_igs.zip](#)

English

[Customer View Model](#)

[ENG\\_CVM\\_CVM\\_1SNK508150R0000\\_A.3d\\_stp.zip](#)

English

By downloading the CAD file I accept and agree to the [Terms and Conditions](#) of use.

### Datasheets & Catalog Pages

[ZS10-PE](#)

English

[SNK SERIES TERMINAL BLOCKS](#)

English

[ENTRELEC Terminal Blocks Catalogue \(RUS\)](#)

[Essential Entrelec Terminal Blocks](#)

French

[Essential Entrelec Terminal Blocks](#)

English

[Essential Entrelec Terminal Blocks](#)

Japanese

1SNK508150R0000

Ground, Screw Clamp Terminal Block, Green & Yellow, Product Spacing 8 mm [.315 in], 2 Position, Screw Terminal, ENTRELEC SNK, Modular Terminal Blocks



---

**Agency Approvals**

ZK-ZS\_ATEX\_1SND225112U1006-C-TE

English