

292156-5 ✓ ACTIVE

AMP CT

TE Internal #: 292156-5

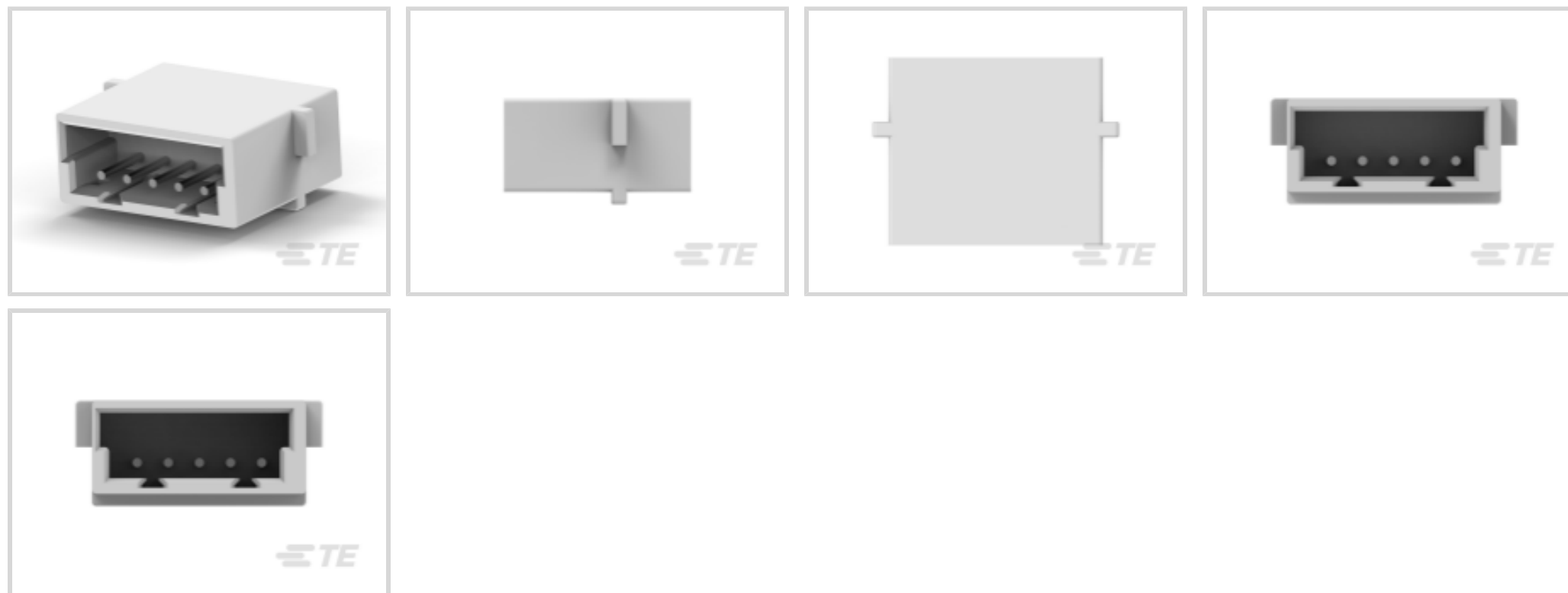
Connector Assembly, Plug to Plug Relay Header, Wire-to-Board / Wire-to-Wire, 4 Position, 2 mm [.078 in] Centerline, 1 Row, White, Signal, AMP CT

[View on TE.com >](#)



Connectors > PCB Connectors > Wire-to-Board Connectors > Wire-to-Board Connector Assemblies & Housings >

CT Relay Header Assembly: Free Hanging



Connector Product Type: **Connector Assembly**

Connector & Housing Type: **Plug to Plug Relay Header**

Connector System: **Wire-to-Board, Wire-to-Wire**

Number of Positions: **4**

Centerline (Pitch): **2 mm [.078 in]**

[All CT Relay Header Assembly: Free Hanging \(17\)](#)

Features

Product Type Features

Connector Product Type	Connector Assembly
Connector & Housing Type	Plug to Plug Relay Header
Connector System	Wire-to-Board, Wire-to-Wire
Sealable	No

Configuration Features

Number of Positions	4
Number of Rows	1

Housing Features

Centerline (Pitch)	2 mm [.078 in]
Housing Material	Nylon 66

Body Features

--	--



Primary Product Color	White
-----------------------	-------

Mechanical Attachment

Mating Retention	Without
------------------	---------

Connector Mounting Type	Cable Mount (Free-Hanging)
-------------------------	----------------------------

Strain Relief	Without
---------------	---------

Panel Mount Feature	Without
---------------------	---------

Contact Features

Contact Current Rating (Max)	2 A
------------------------------	-----

Contact Retention Within Housing	Without
----------------------------------	---------

Contact Base Material	Brass
-----------------------	-------

Contact Type	Pin
--------------	-----

Operation/Application

Circuit Application	Signal
---------------------	--------

Usage Conditions

Operating Temperature Range	-40 – 105 °C[-40 – 221 °F]
-----------------------------	----------------------------

Other

EU RoHS Compliance	Compliant
--------------------	-----------

EU ELV Compliance	Compliant
-------------------	-----------

Electrical Characteristics

Operating Voltage	125 V
-------------------	-------

Dimensions

Panel Thickness (Recommended)	.81 – 1.6 mm[.032 – .063 in]
-------------------------------	------------------------------

Connector Height	12 mm[.472 in]
------------------	----------------

Connector Length	13.8 mm[.543 in]
------------------	------------------

Industry Standards

Compatible With Agency/Standards Products	UL, CSA
---	---------

UL Flammability Rating	UL 94V-0
------------------------	----------

Compatible With Approved Standards Products	UL Recognized
---	---------------

Packaging Features

Packaging Method	Bag & Box
------------------	-----------

Packaging Quantity	500
--------------------	-----



Product Compliance

[For compliance documentation, visit the product page on TE.com>](#)

EU RoHS Directive 2011/65/EU	Compliant
EU ELV Directive 2000/53/EC	Compliant
China RoHS 2 Directive MIIT Order No 32, 2016	No Restricted Materials Above Threshold
EU REACH Regulation (EC) No. 1907/2006	Current ECHA Candidate List: JUNE 2024 (241) Candidate List Declared Against: JUNE 2024 (241) SVHC > Threshold: Melamine (3% in Component Part) Article Safe Usage Statements: Wash thoroughly after handling. Do not handle until all safety precautions have been read and understood. Recycle if possible and dispose of the article by following all applicable governmental regulations relevant to your geographic location.
Halogen Content	Low Halogen - Br, Cl, F, I < 900 ppm per homogenous material. Also BFR/CFR/PVC Free
Solder Process Capability	Not applicable for solder process capability

Product Compliance Disclaimer

This information is provided based on reasonable inquiry of our suppliers and represents our current actual knowledge based on the information they provided. This information is subject to change. The part numbers that TE has identified as EU RoHS compliant have a maximum concentration of 0.1% by weight in homogenous materials for lead, hexavalent chromium, mercury, PBB, PBDE, DBP, BBP, DEHP, DIBP, and 0.01% for cadmium, or qualify for an exemption to these limits as defined in the Annexes of Directive 2011/65/EU (RoHS2). Finished electrical and electronic equipment products will be CE marked as required by Directive 2011/65/EU. Components may not be CE marked. Additionally, the part numbers that TE has identified as EU ELV compliant have a maximum concentration of 0.1% by weight in homogenous materials for lead, hexavalent chromium, and mercury, and 0.01% for cadmium, or qualify for an exemption to these limits as defined in the Annexes of Directive 2000/53/EC (ELV). Regarding the REACH Regulation, the information TE provides on SVHC in articles for this part number is based on the latest European Chemicals Agency (ECHA) 'Guidance on requirements for substances in articles' posted at this URL: <https://echa.europa.eu/guidance-documents/guidance-on-reach>

Compatible Parts



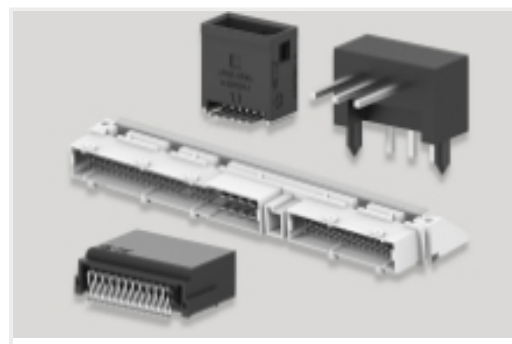
Also in the Series | AMP CT



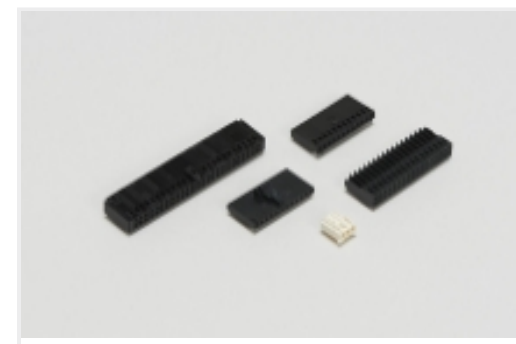
Connector Contacts(8)



Connector Hardware(46)

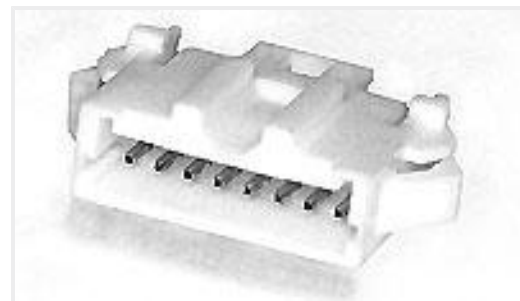
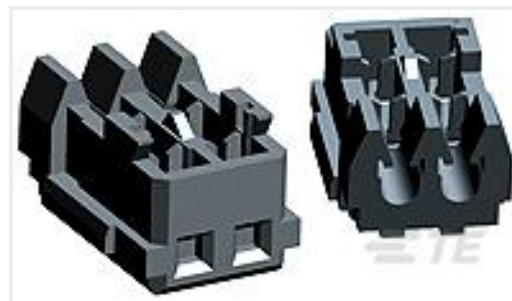
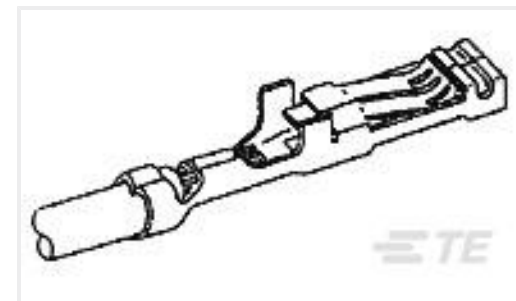


PCB Headers & Receptacles(756)



Wire-to-Board Connector Assemblies & Housings(255)

Customers Also Bought

TE Part #292156-4
CT RELAY HDR ASSY FREE HANGINGTE Part #179228-5
AMP COMMON TERMINATION HOUSINGSTE Part #353908-3
CT REC HSG 3P CRIMP TYPE WHITETE Part #6-292254-2
CT RELAY HDR ASSY 2P BLACKTE Part #1-292254-5
CT RELAY HDR ASSY 15P NATTE Part #1-292215-2
MINI CT SGL RELAY 12P NATTE Part #1-353293-5
1.5 MINI-CT RECEPTACLETE Part #1981378-1
HYBRID MINI DRAWER

Documents

Product Drawings

CT RELAY HDR ASSY FREE HANGING

English

CAD Files

3D PDF

3D

Customer View Model

[ENG_CVM_CVM_292156-5_A.2d_dxf.zip](#)

English

Customer View Model

[ENG_CVM_CVM_292156-5_A.3d_igs.zip](#)

English

Customer View Model

[ENG_CVM_CVM_292156-5_A.3d_stp.zip](#)

English

By downloading the CAD file I accept and agree to the [Terms and Conditions](#) of use.



Product Specifications

Product Specification

English

AMP COMMON TERMINATION (CT), CONNECTOR, 2mm PITCH, M/T TYPE, LEAD FREE VERSION

Japanese

Product Specification

Japanese