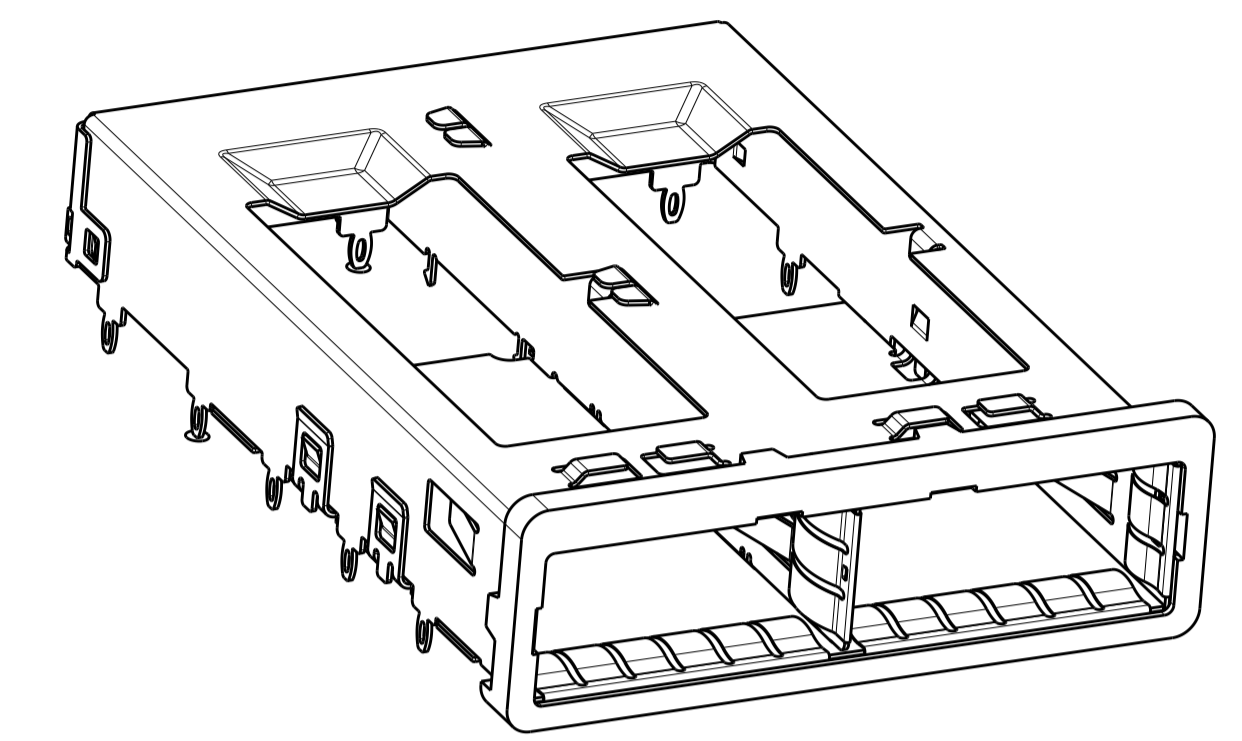
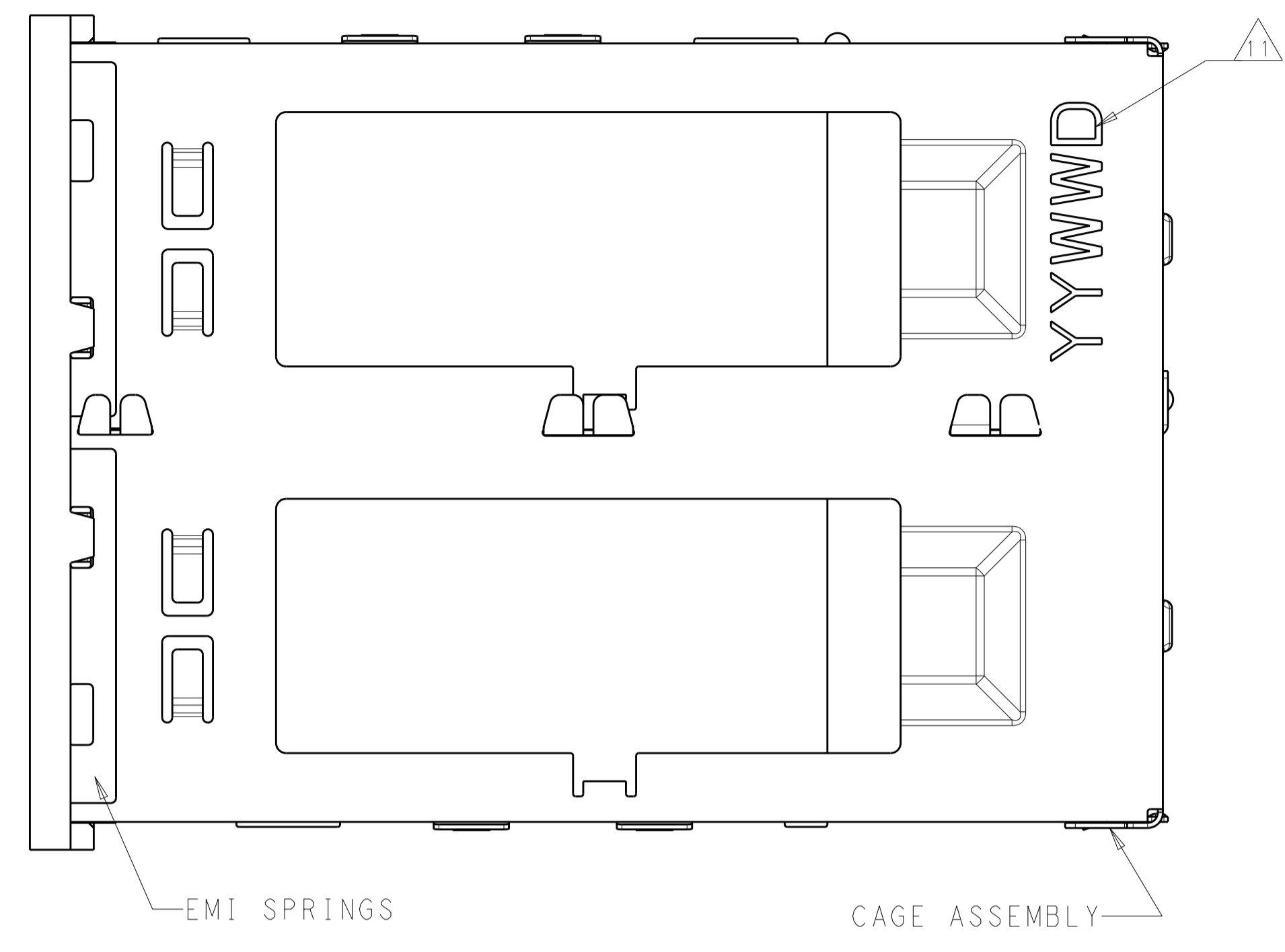
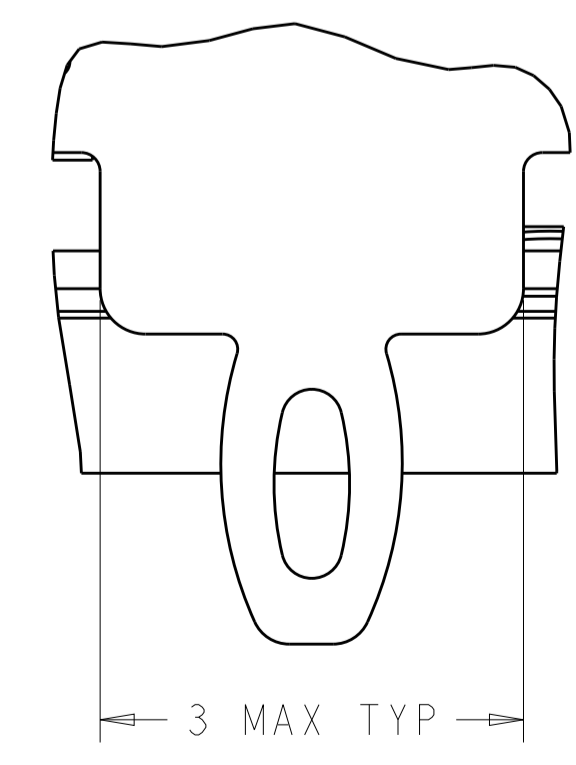
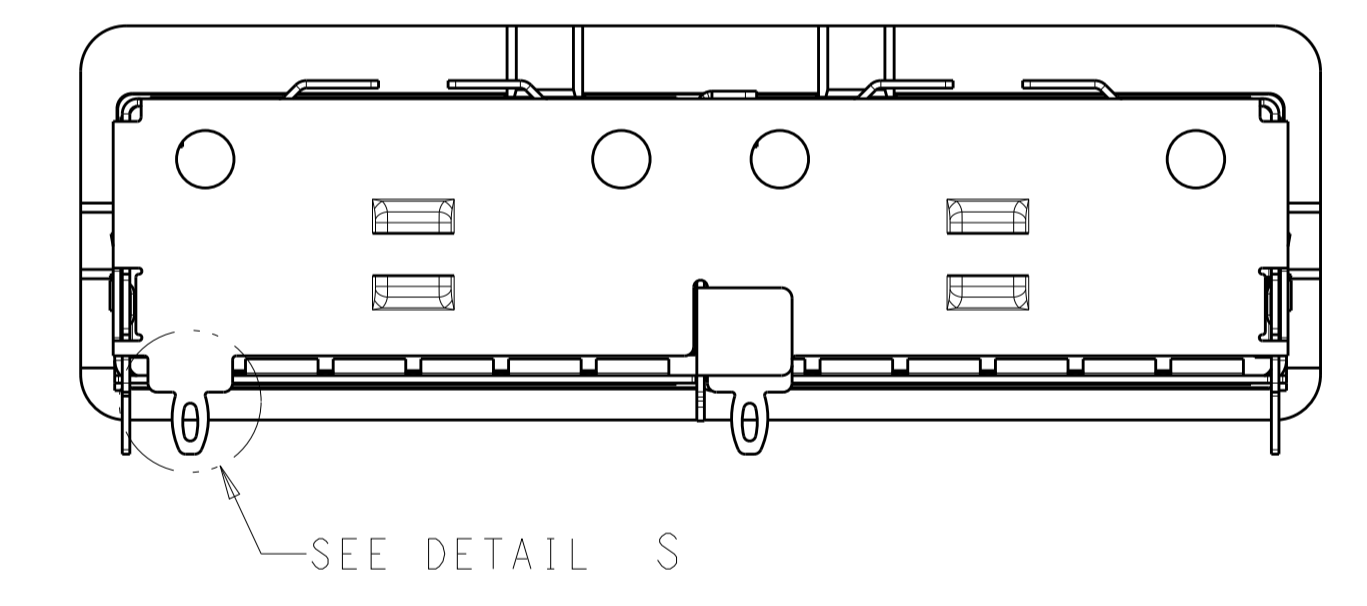
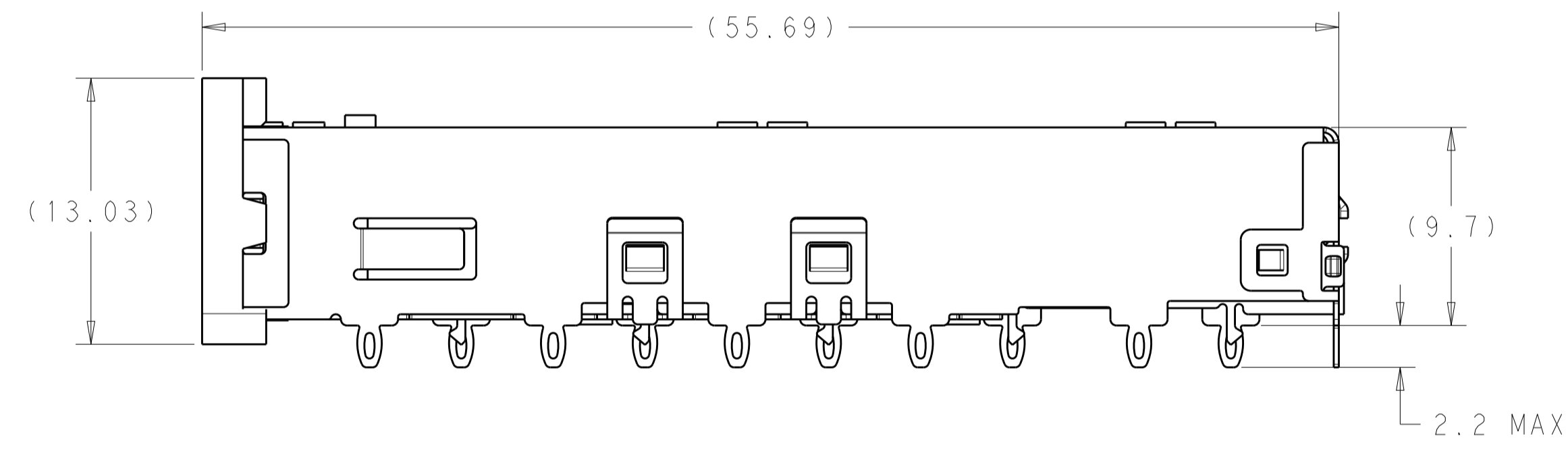
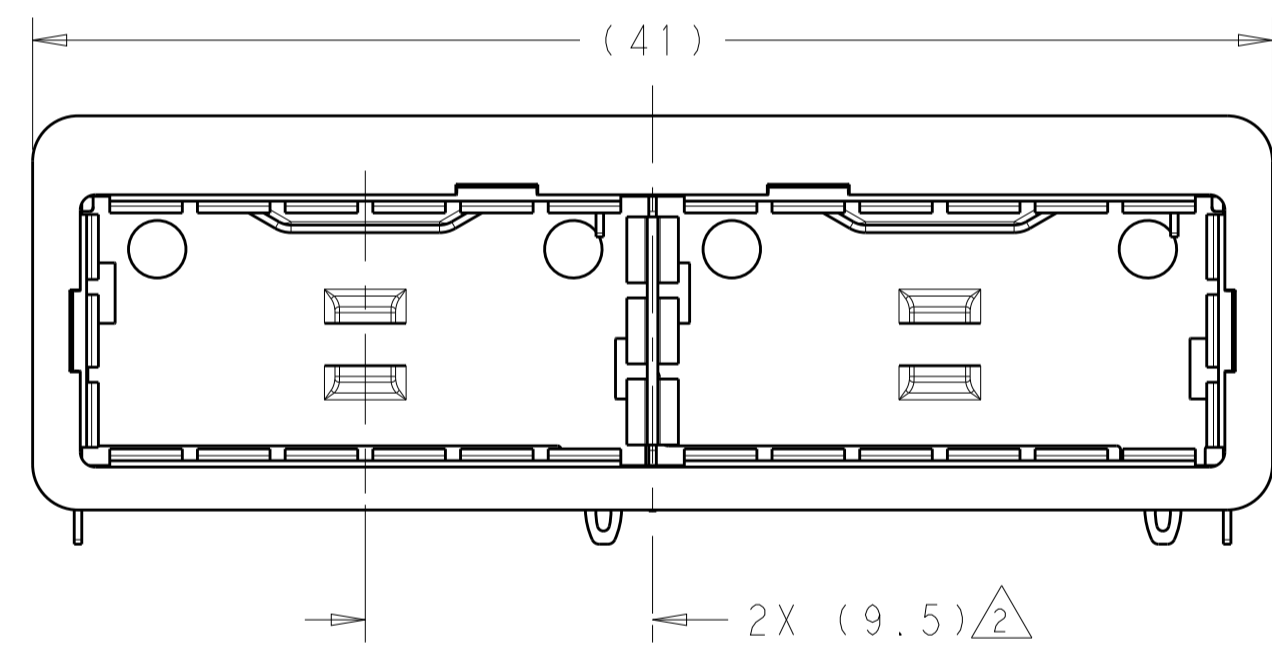


LOC	DIST	REVISIONS					
GP	00	P	LTN	DESCRIPTION	DATE	DMN	APVD
		A		RELEASED ECO-14-003627	11APR2014	LAW	EB
		B		REVISED PER ECO-15-012666	07DEC2015	JY	SH
		C		REVISED PER ECO-16-002221	18FEB2016	KQ	SH
		D		REVISED PER ECO-18-013545	27AUG2018	JY	SH

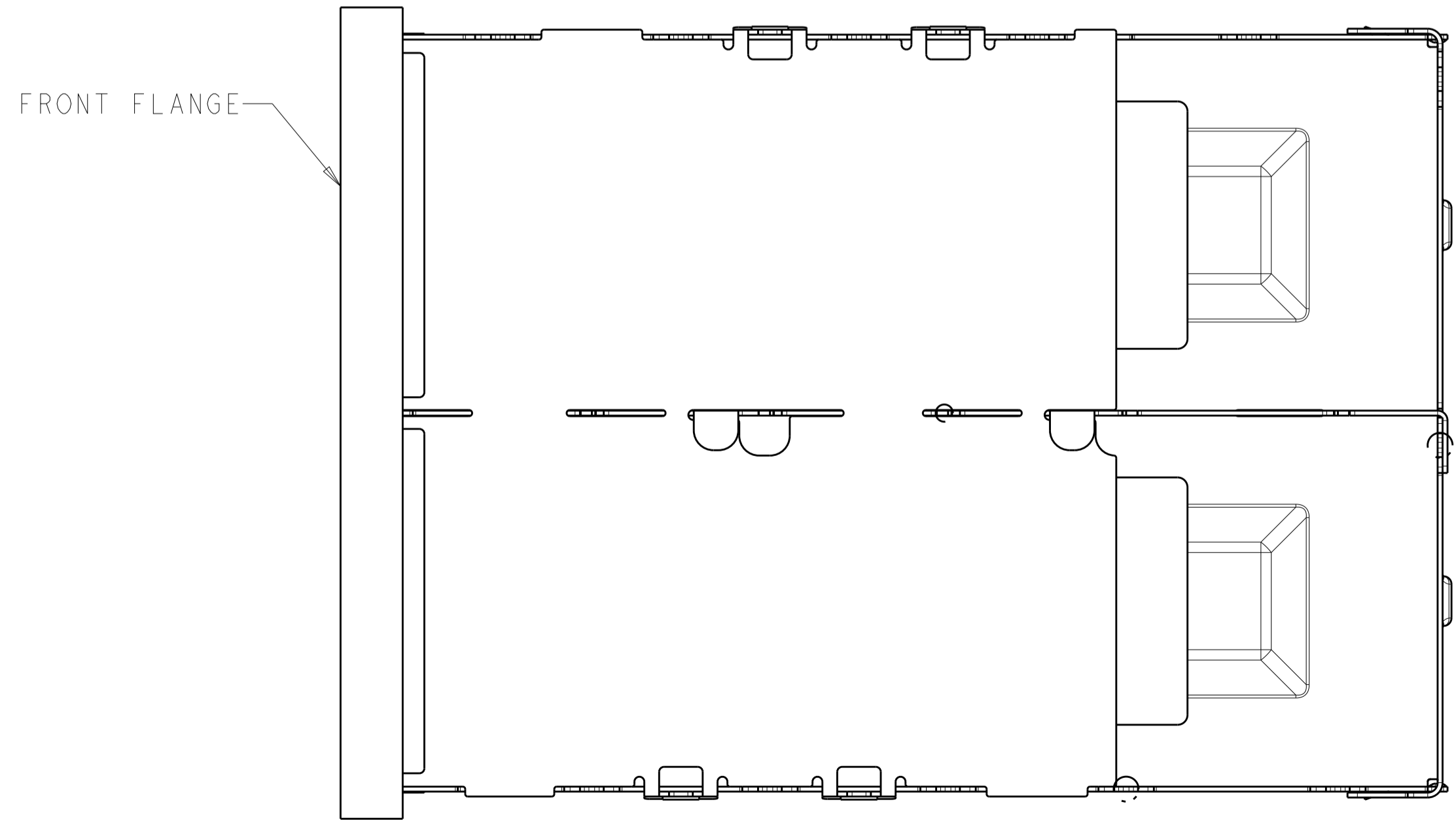
- △ SURFACE TRACES PERMITTED WITHIN THIS AREA EXCEPT WHERE CAGE STANDOFFS, SHOWN IN DETAIL S, CONTACT PC BOARD.
- △ PITCH BETWEEN PORTS OF ONE 1X2 CAGE ASSEMBLY.
- △ SPACING BETWEEN CAGES ON THE SAME PC BOARD, TO BE SPECIFIED BY CUSTOMER, MUST COMPLY WITH MINIMUM DIMENSIONS SHOWN.
- △ REFERENCE APPLICATION SPEC 114-XXXX FOR RECOMMENDED DRILL HOLE DIAMETER AND PLATING THICKNESS.
- △ UNPLATED THRU HOLE.
- △ DATUMS AND BASIC DIMENSIONS ESTABLISHED BY CUSTOMER.
- △ DATUM A IS TOP SURFACE OF PC BOARD.
- △ DIMENSION C IS THE NOMINAL THICKNESS OF CUSTOMER SUPPLIED PC BOARD.
- △ MINIMUM PC BOARD THICKNESS:  
 SINGLE SIDED = 1.45mm  
 DOUBLE SIDED = 2.2mm
- △ MATES WITH QSPF MSA COMPATIBLE TRANSCEIVER.
- △ BASELINE FOR THESE DIMENSIONS IS THE CENTER OF COMPLIANT PIN HOLE.
- △ DATE CODE (YYWWD) MARKED APPROXIMATELY AS SHOWN.
- △ REFERENCE APP SPEC 114-XXXX FOR GASKET THICKNESS CALCULATION.
- △ MATERIAL:  
 CAGE ASSEMBLY: NICKEL SILVER, 0.25 THICK  
 EMI SPRINGS: COPPER ALLOY  
 FRONT FLANGE: ZINC ALLOY
- △ FINISH:  
 EMI SPRINGS: 2µm MINIMUM TIN  
 FRONT FLANGE: 3µm MINIMUM TIN OVER 1.27µm MINIMUM NICKEL OVER 5.08µm MINIMUM COPPER.  
 OR 1.27µm MINIMUM NICKEL OVER 5.08µm MINIMUM COPPER.



2227104-1 AS SHOWN  
 ISOMETRIC VIEW  
 SCALE 5:2



DETAIL S  
 SCALE 20:1

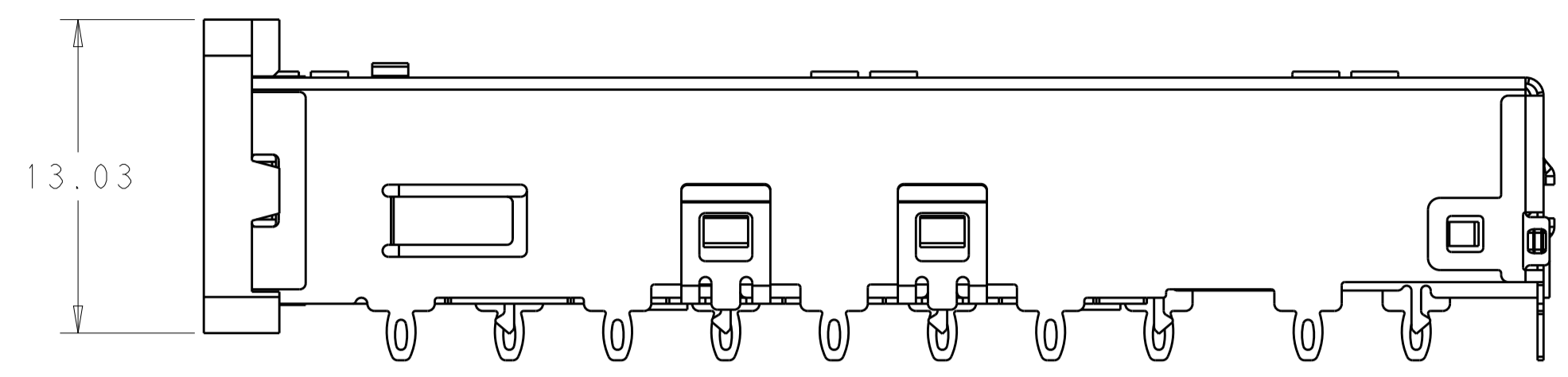


2227104-9
2227104-7
2227104-5
2227104-1
PART NUMBER

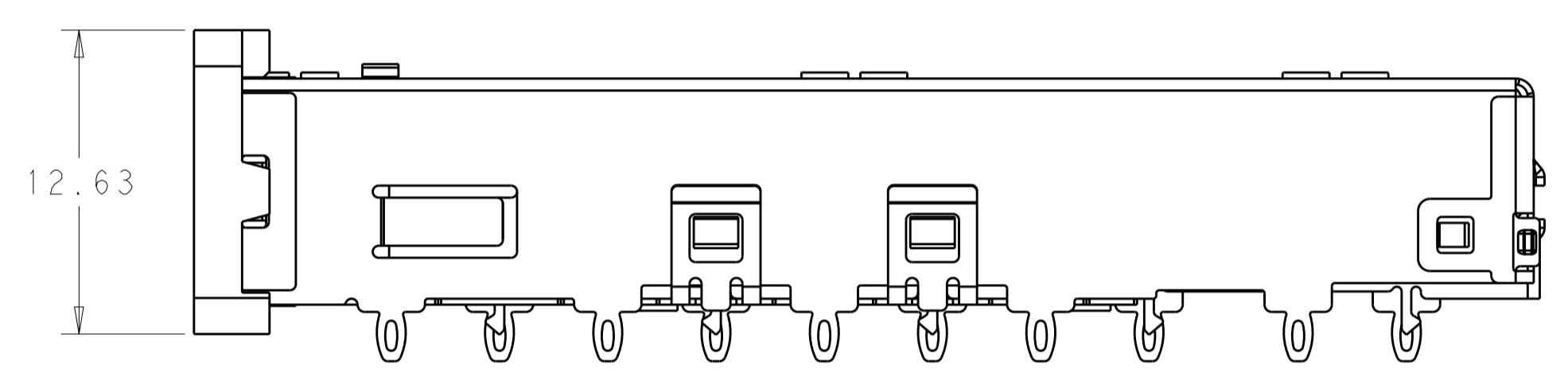
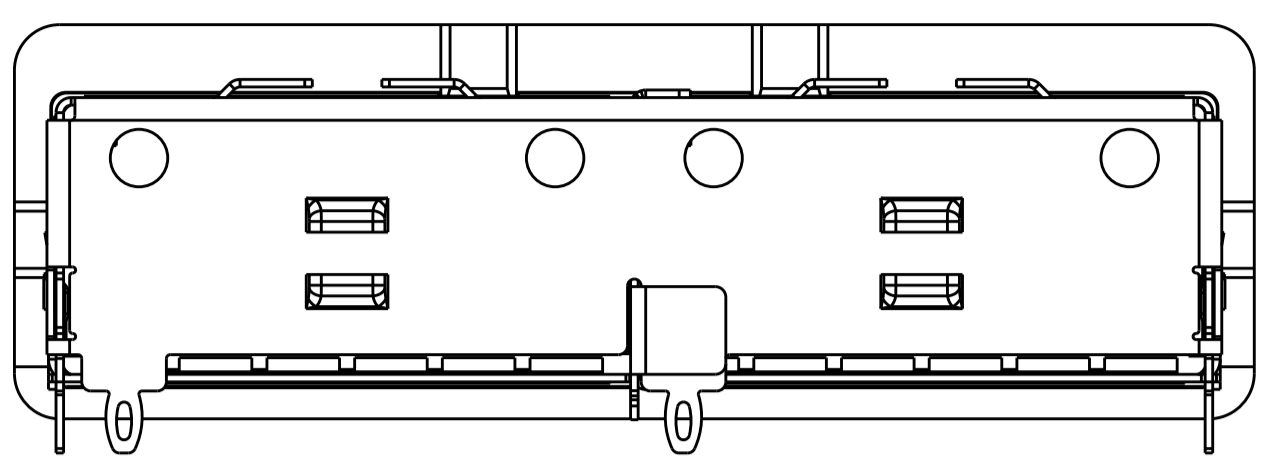
THIS DRAWING IS A CONTROLLED DOCUMENT. DIMENSIONING AND TOLERANCING PER ASME Y14.5M-2009.		DMN: C. VALENTINE 22FEB2013 CHK: E. BRIANT 22FEB2013 APVD: E. BRIANT 22FEB2013	TE Connectivity	
DIMENSIONS:	TOLERANCES UNLESS OTHERWISE SPECIFIED:	NAME: 1X2 CAGE ASSEMBLY, BEHIND BEZEL, QSPF28	SIZE: A	RESTRICTED TO:
mm	0 PLC ±0.5 1 PLC ±0.5 2 PLC ±0.13 3 PLC ±0.013 4 PLC ±0.001 ANGLES ±0.0001	PRODUCT SPEC: 108-19428 APPLICATION SPEC: 114-32023	CAGE CODE: 00779	DRAWING NO: 2227104
MATERIAL: 1.3	FINISH: 1.4	WEIGHT: -	Customer Drawing	SCALE: 4:1 SHEET 1 OF 5 REV D

THIS DRAWING IS UNPUBLISHED. RELEASED FOR PUBLICATION 20  
 © COPYRIGHT 20 BY - ALL RIGHTS RESERVED.

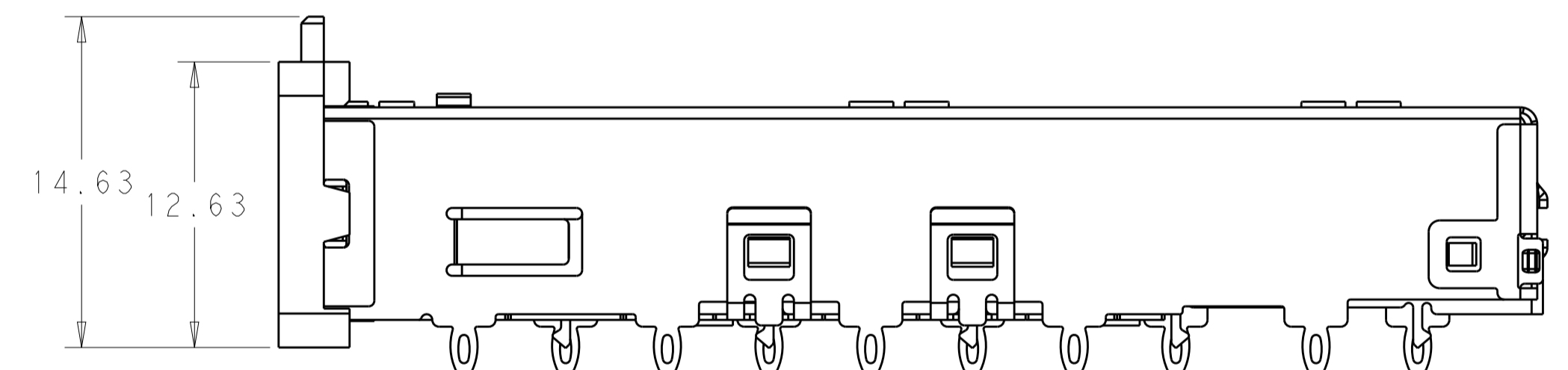
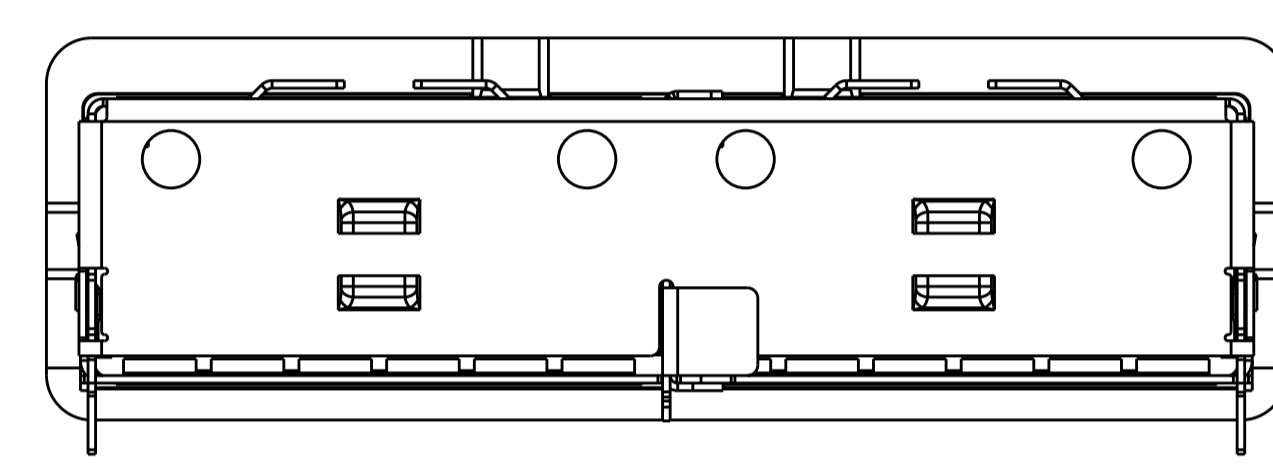
LOC		DIST		REVISIONS			
P.	LTN	DESCRIPTION	DATE	DWN	APVD		



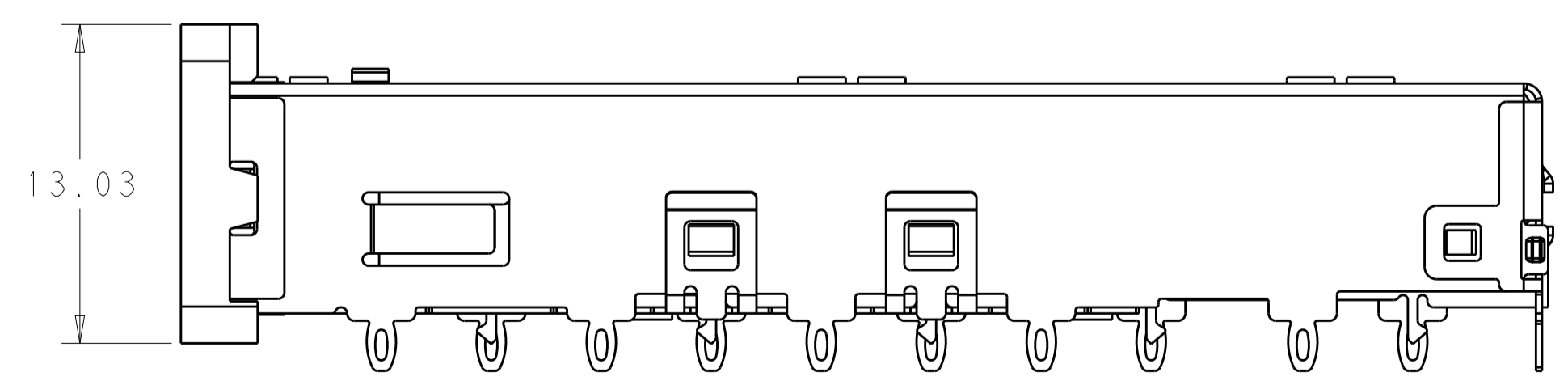
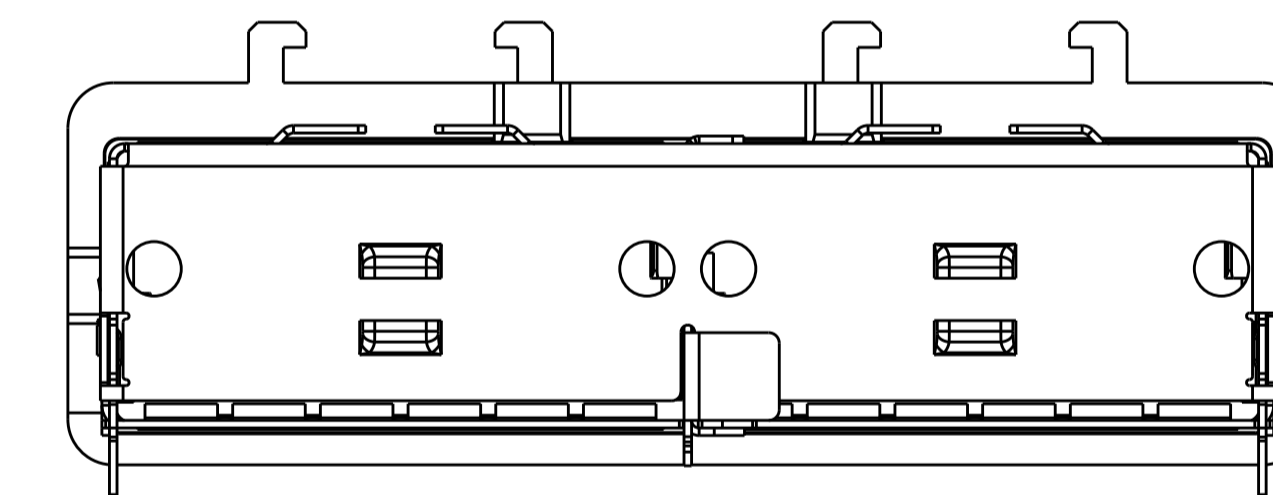
2227104-1  
SCALE 4:1



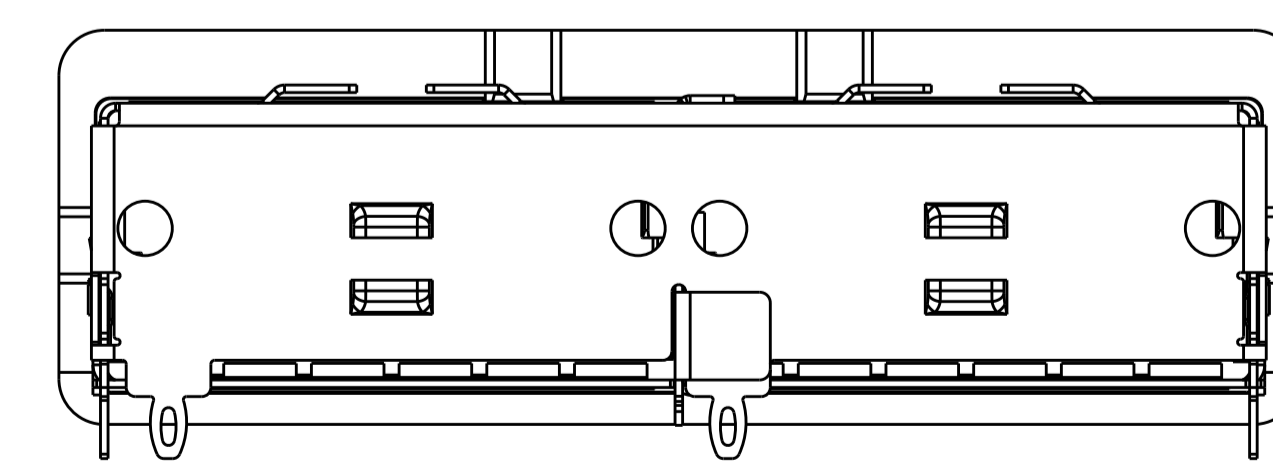
2227104-5  
SCALE 4:1



2227104-7  
SCALE 4:1

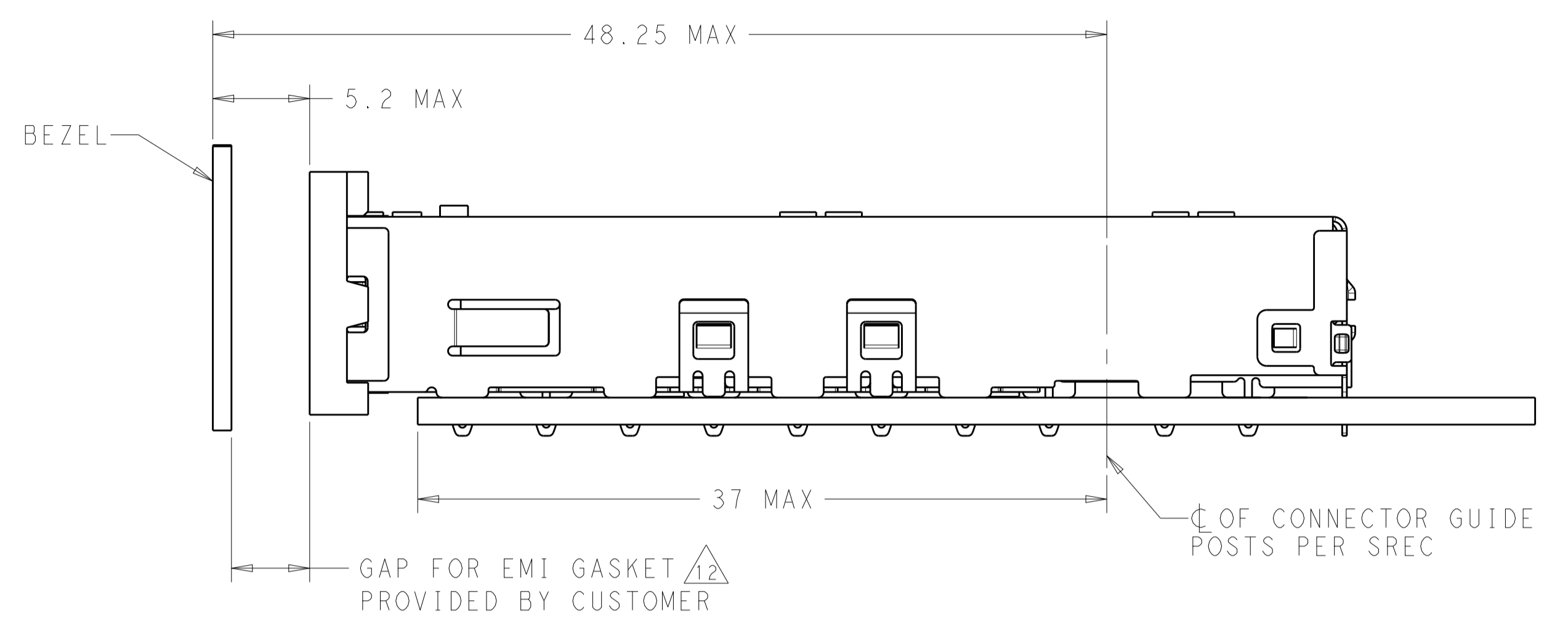
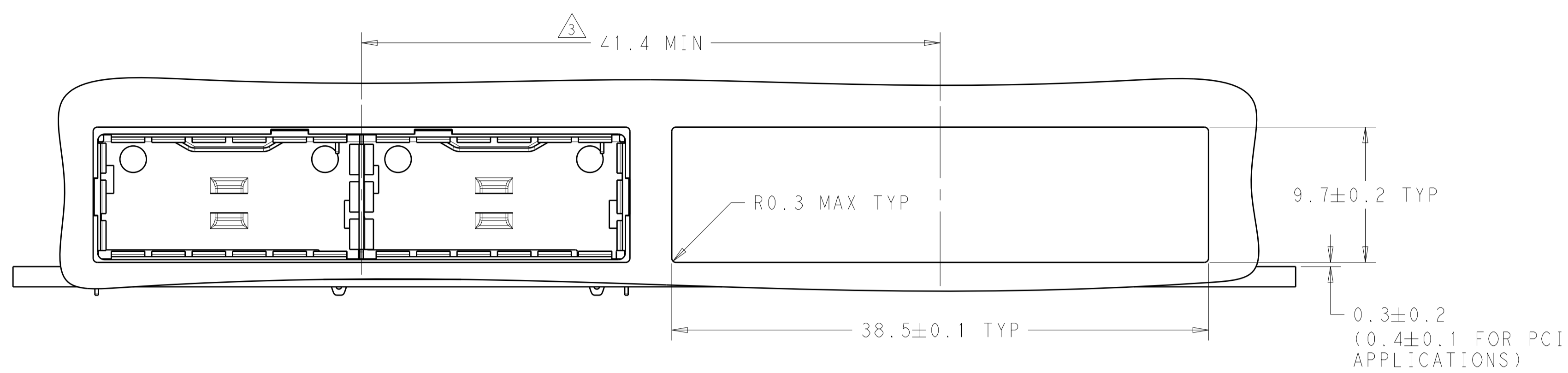


2227104-9  
SCALE 4:1

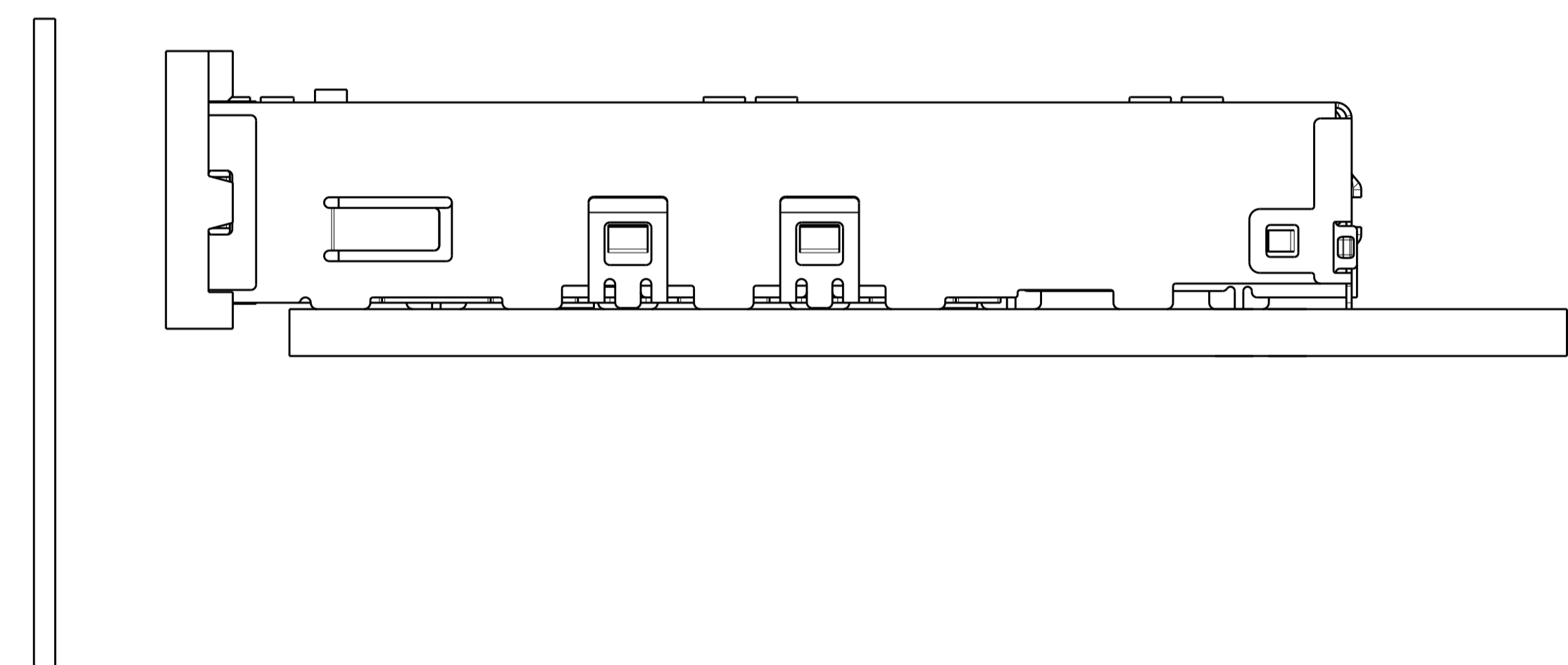
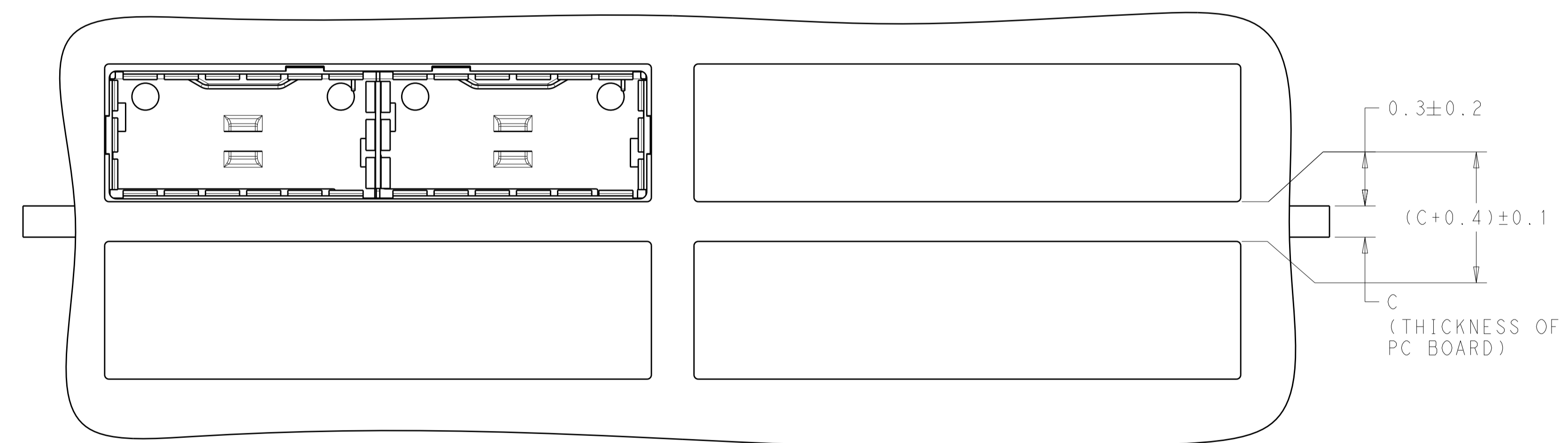


THIS DRAWING IS A CONTROLLED DOCUMENT. DIMENSIONING AND TOLERANCING PER ASME Y14.5M-2009		DWN C. VALENTINE 22FEB2013	TE Connectivity
DIMENSIONS: mm		CHK E. BRIANT 22FEB2013	
TOLERANCES UNLESS OTHERWISE SPECIFIED:		APVD E. BRIANT 22FEB2013	NAME 1X2 CAGE ASSEMBLY, BEHIND BEZEL, QSPF28
0 PLC ±	1 PLC ±0.5	PRODUCT SPEC 108-19428	SIZE A100779
2 PLC ±0.13	3 PLC ±0.013	APPLICATION SPEC 114-32023	CAGE CODE DRAWING NO C=2227104
4 PLC ±0.0001	ANGLES ±	WEIGHT	RESTRICTED TO
MATERIAL	FINISH	Customer Drawing	SCALE 4:1 SHEET 2 OF 5 REV D

LOC		DIST		REVISIONS			
P	LTN	DESCRIPTION	DATE	DMN	APVD		
-	-	SEE SHEET 1	-	-	-		



ONE-SIDED CONFIGURATION



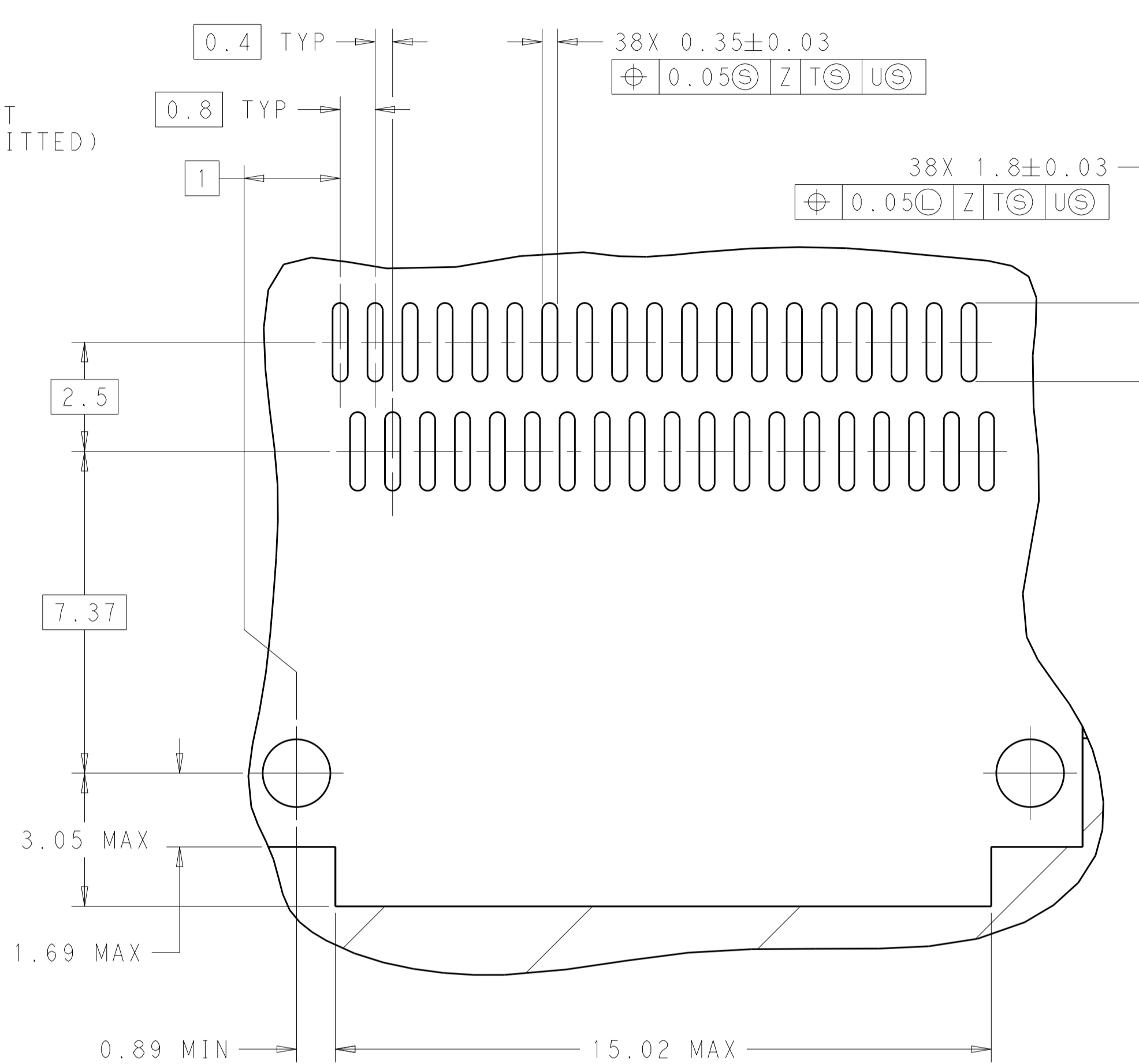
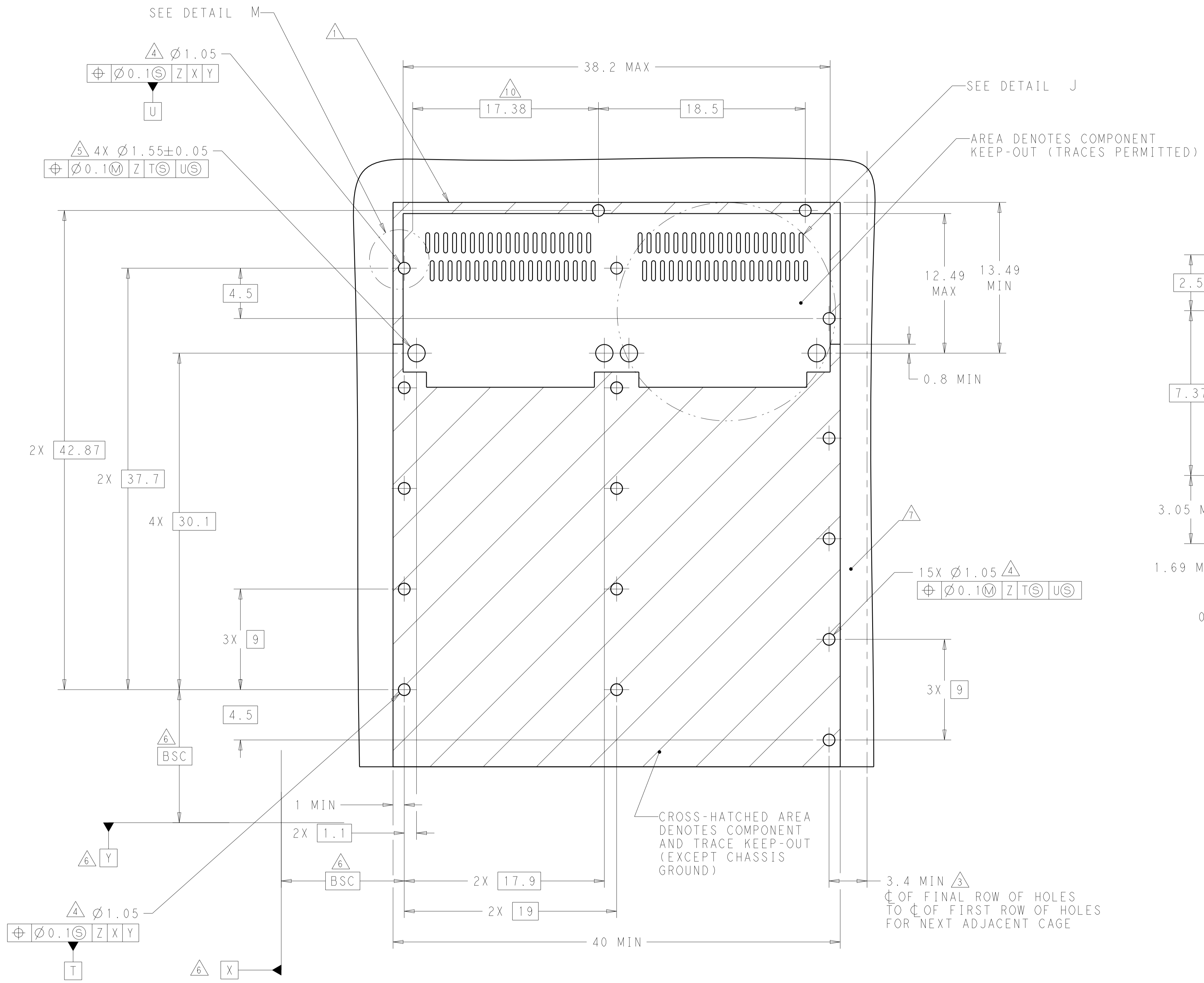
BELLY TO BELLY CONFIGURATION SIMILAR TO ONE SIDED EXCEPT WHERE NOTED

THIS DRAWING IS A CONTROLLED DOCUMENT. DIMENSIONING AND TOLERANCING PER ASME Y14.5M-2009		DMN C. VALENTINE 22FEB2013	TE Connectivity
DIMENSIONS: mm		CHK E. BRIANT 22FEB2013	
TOLERANCES UNLESS OTHERWISE SPECIFIED:		APVD E. BRIANT 22FEB2013	NAME 1X2 CAGE ASSEMBLY, BEHIND BEZEL, QSFP28
0 PLC ±0.5	1 PLC ±0.13	PRODUCT SPEC 108-19428	SIZE A100779
2 PLC ±0.13	3 PLC ±0.013	APPLICATION SPEC 114-32023	CAGE CODE C=2227104
4 PLC ±0.001	ANGLES ±0.0001	WEIGHT	RESTRICTED TO
MATERIAL	FINISH	Customer Drawing	SCALE 4:1 SHEET 3 OF 5 REV D

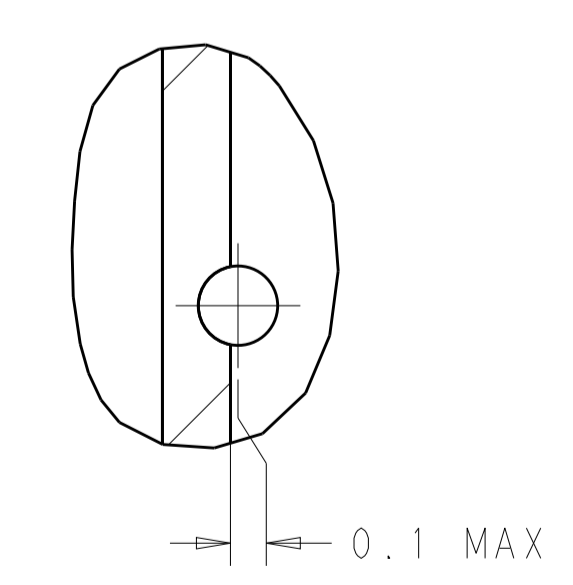
LOC	DIST	REV	DATE	BY	APPV
		1			

REVISIONS		DATE	BY	APPV
1	SEE SHEET 1			



DETAIL J  
2 PLACES  
SCALE 10:1

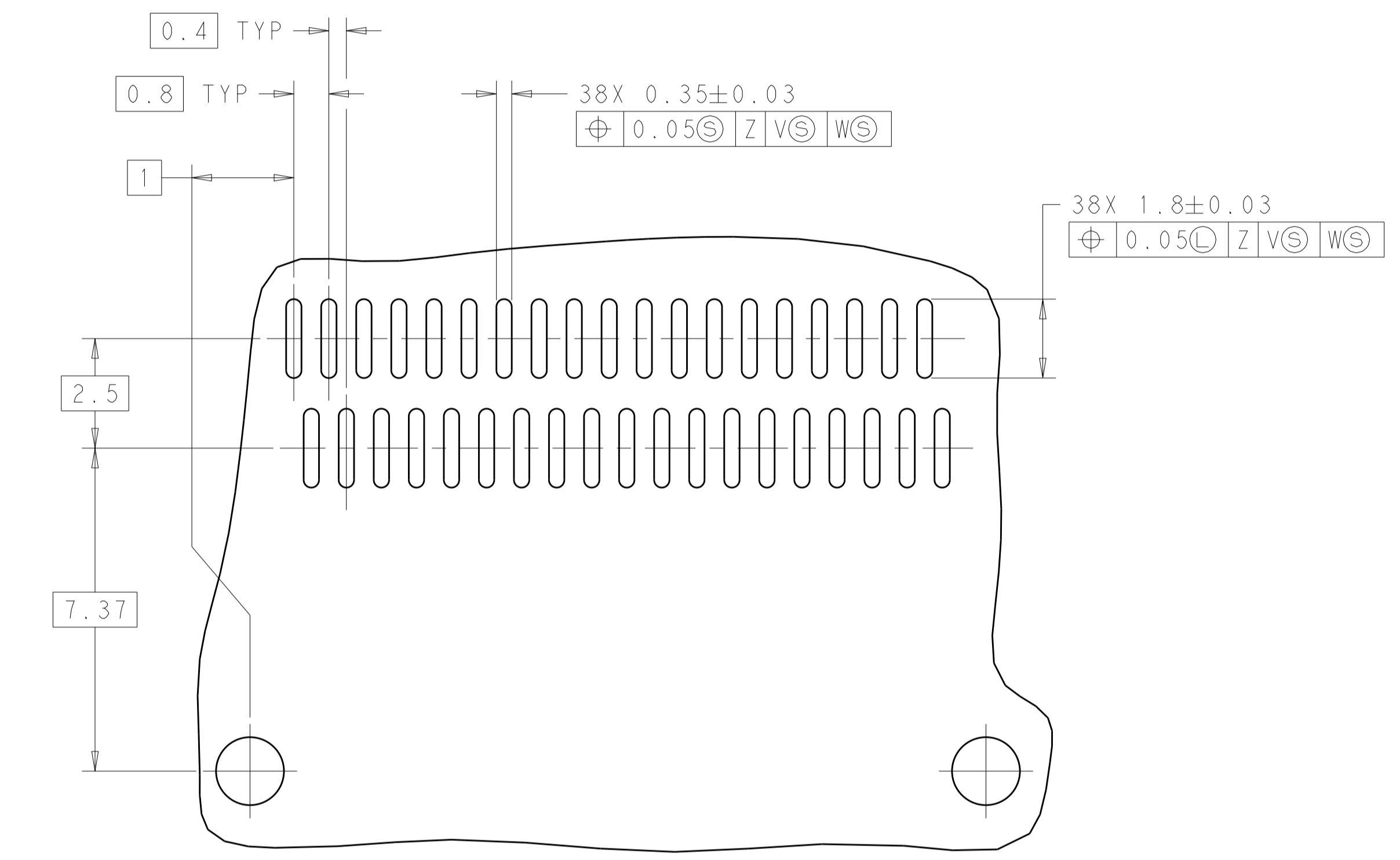
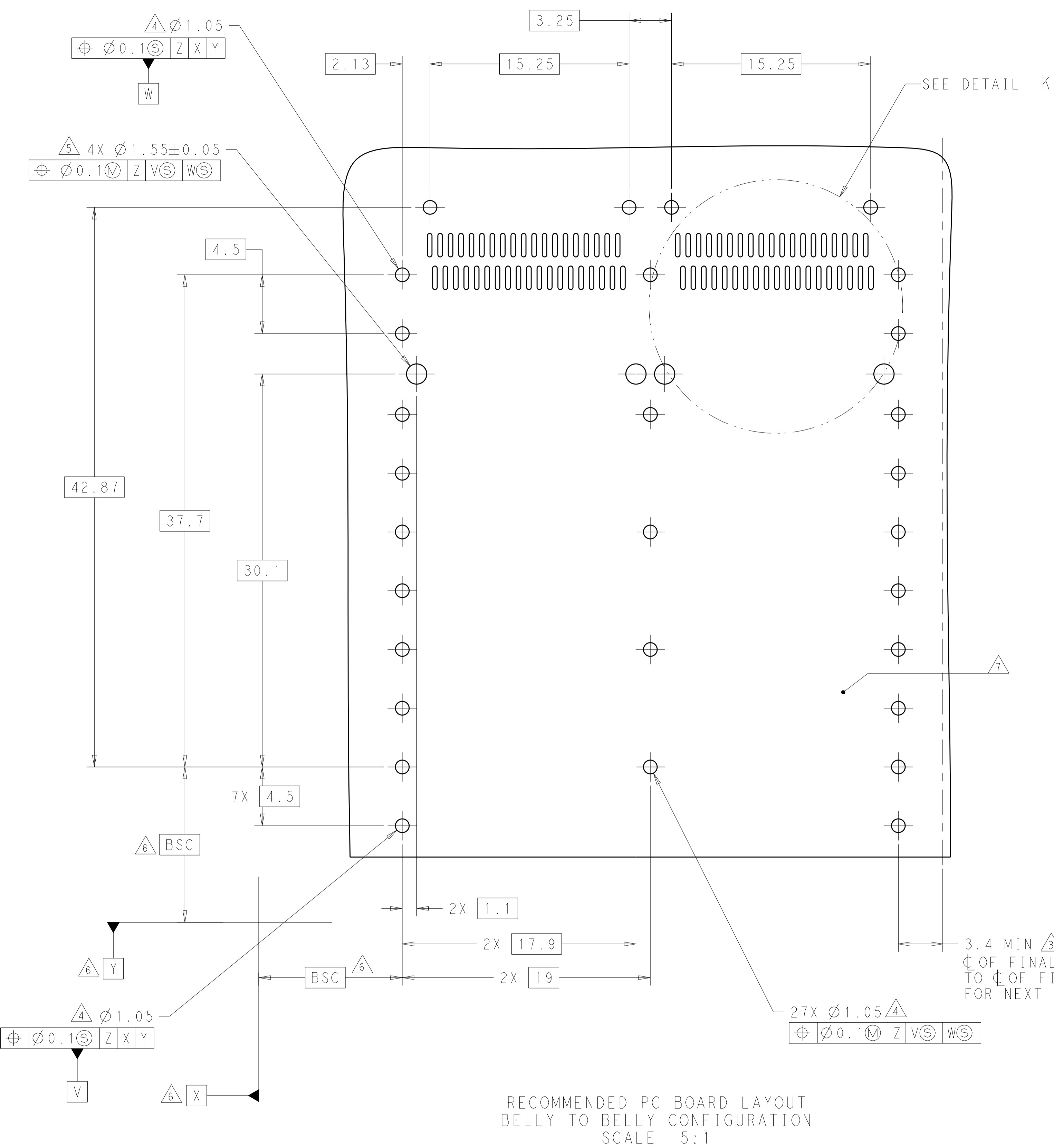


DETAIL M  
SCALE 10:1

RECOMMENDED PC BOARD LAYOUT  
SINGLE SIDE MOUNT CONFIGURATION  
SCALE 5:1

THIS DRAWING IS A CONTROLLED DOCUMENT. DIMENSIONING AND TOLERANCING PER ASME Y14.5M-2009.		DWN: C. VALENTINE 22FEB2013 CHK: E. BRIANT 22FEB2013 APVD: E. BRIANT 22FEB2013	NAME: 1X2 CAGE ASSEMBLY, BEHIND BEZEL, QSPF28 PRODUCT SPEC: 108-19428 APPLICATION SPEC: 114-32023 WEIGHT: - Customer Drawing	SCALE: 4:1 SHEET: 4 OF 5 REV: D
DIMENSIONS: mm TOLERANCES UNLESS OTHERWISE SPECIFIED: 0 PLC ±0.5 1 PLC ±0.13 2 PLC ±0.013 3 PLC ±0.001 4 PLC ±0.001 ANGLES ±0.001	MATERIAL: - FINISH: -	SIZE: A1 CAGE CODE: 00779 DRAWING NO: 2227104	RESTRICTED TO: -	

LOC		DIST		REVISIONS			
P	LTN	DESCRIPTION	DATE	DWN	APVD		
-	-	SEE SHEET 1	-	-	-	-	-



DETAIL K  
 2 PLACES  
 SCALE 10:1

THIS DRAWING IS A CONTROLLED DOCUMENT. DIMENSIONING AND TOLERANCING PER ASME Y14.5M-2009		DWN C. VALENTINE CHK E. BRIANT APVD E. BRIANT	22FEB2013 22FEB2013 22FEB2013	TE Connectivity NAME 1X2 CAGE ASSEMBLY, BEHIND BEZEL, QSPF28
DIMENSIONS: mm	TOLERANCES UNLESS OTHERWISE SPECIFIED: 0 PLC ±0.5 2 PLC ±0.13 3 PLC ±0.013 4 PLC ±0.001 ANGLES ±0.001	PRODUCT SPEC 108-19428 APPLICATION SPEC 114-32023	SIZE A100779	
MATERIAL	FINISH	WEIGHT	SCALE 4:1	RESTRICTED TO SHEET 5 OF 5 REV D