

S CN BN - J 1 1 75 - SO PER

SUNTSU

CONNECTOR

BNC

Connector Type
Jack

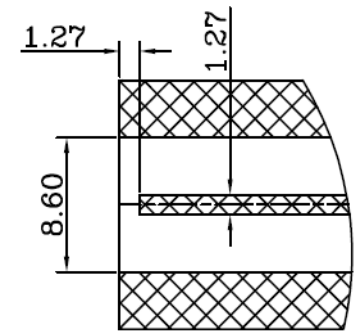
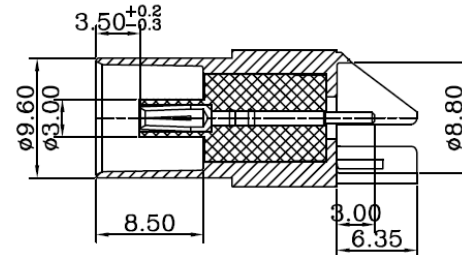
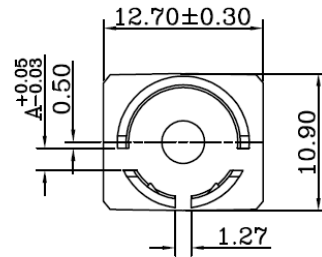
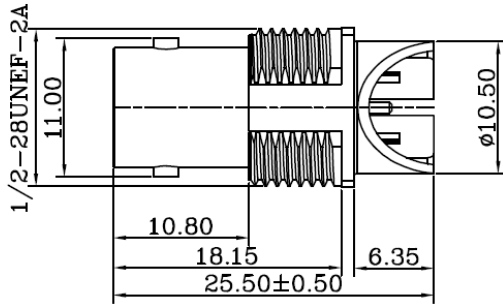
Rows

Connectors
per Row

Impedance
75

Contact Termination
Solder

Mounting Style
PCB Edge Mount
Receptacle



Recommended
Mounting
Layout

1. Materials:

- a) Body: Zinc Nickel Plated
 - b) Contact: Brass Nickel Plated
2. Normal Impedance: 75Ω
 3. Frequency Range: 0-4 GHz
 4. Max Peak Voltage: 500V
 5. Dielectric Strength: 1500V RMS
 6. Insulation Resistance: 5000MΩ/Min



BNC FEMALE PCB EDGE MOUNT

Document History			
Edits Made	Date	Edited By	Approved By
Initial Release	03/23/2022	B. Gibbons	KH Mun

Part No.	SCNBN-J1175-SOPER		Drawn	B. Gibbons 03/23/2022	
Scale	Not drawn to scale		Tolerance	0.5-15 = ±0.15 15-30 = ±0.30 30-120 = ±0.60 >120 = ±1.00	
Unit	mm		Pages	1/1	