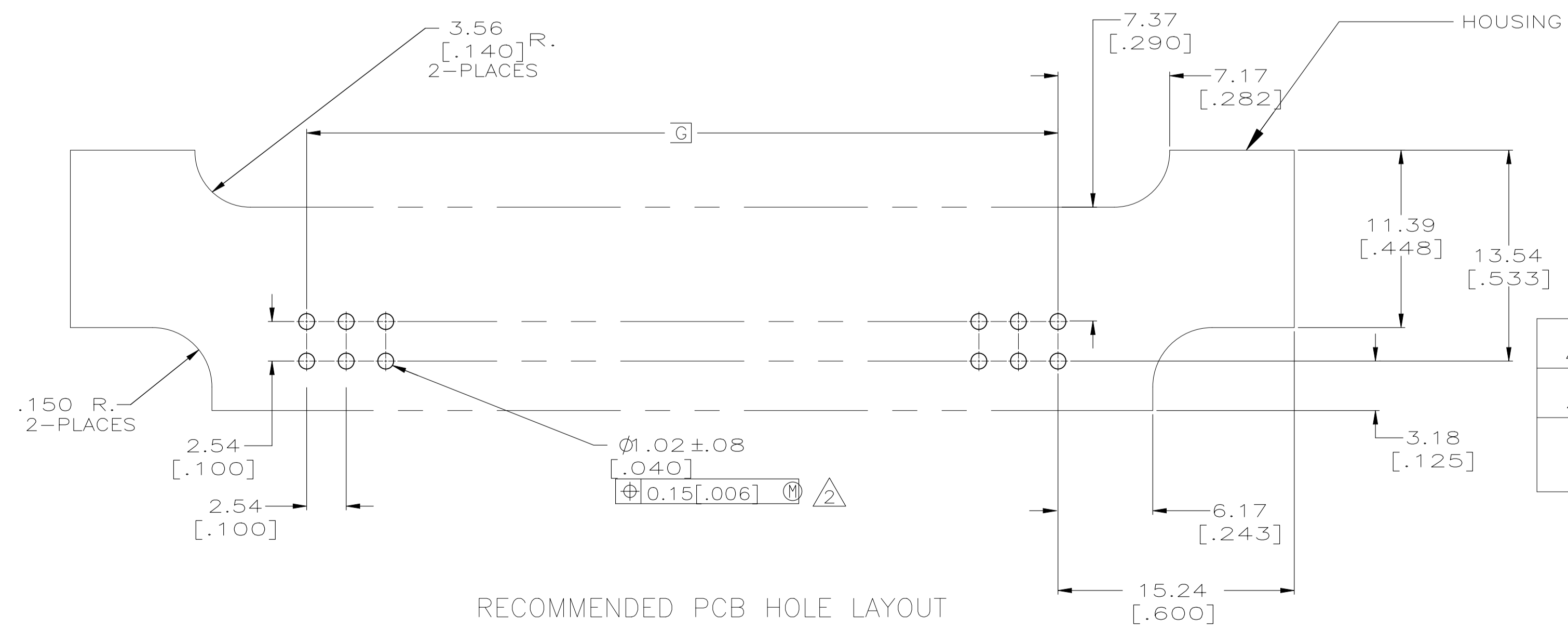
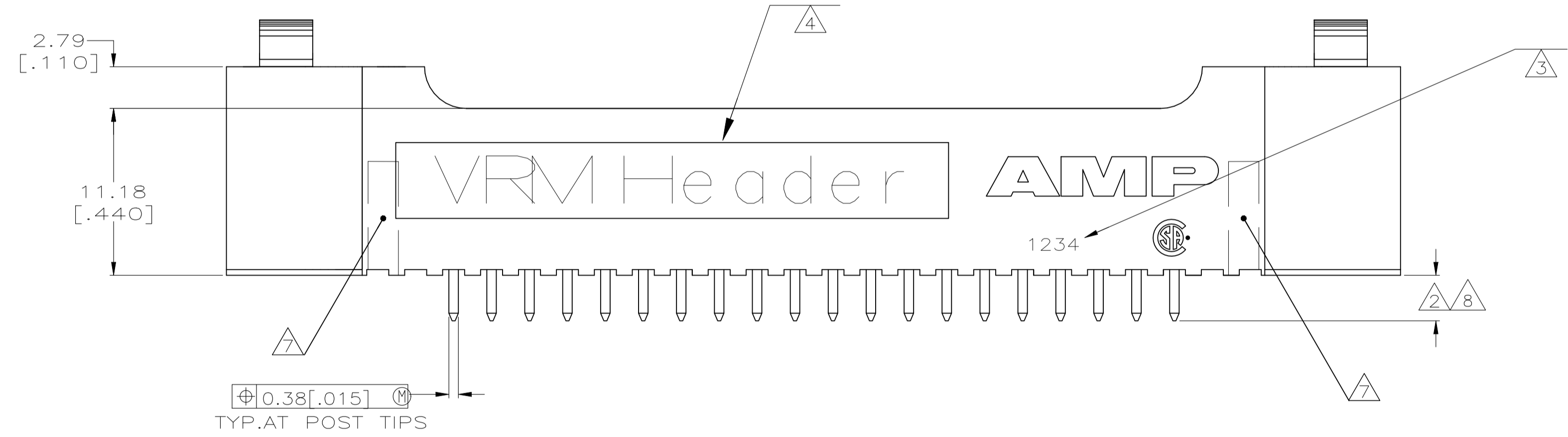
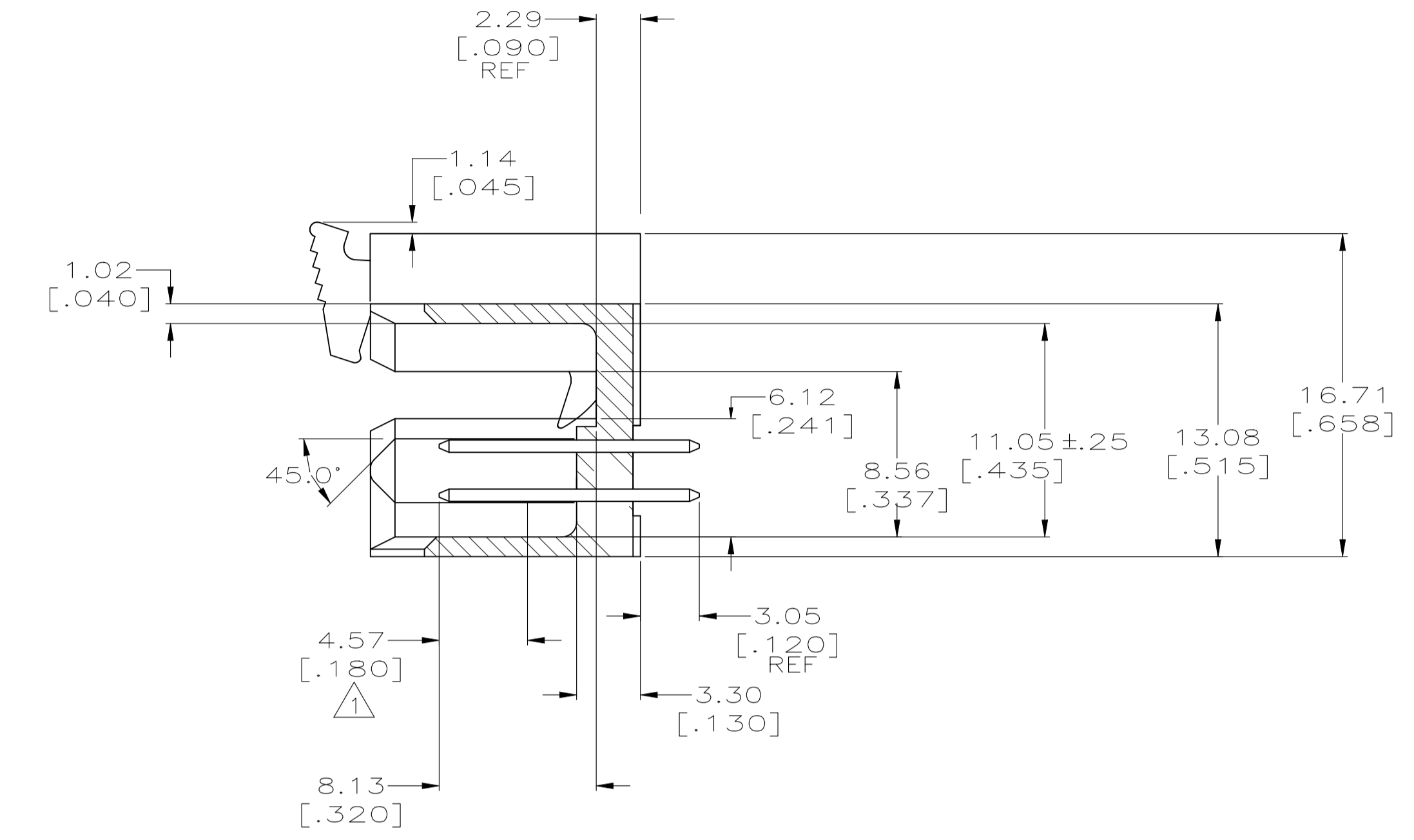
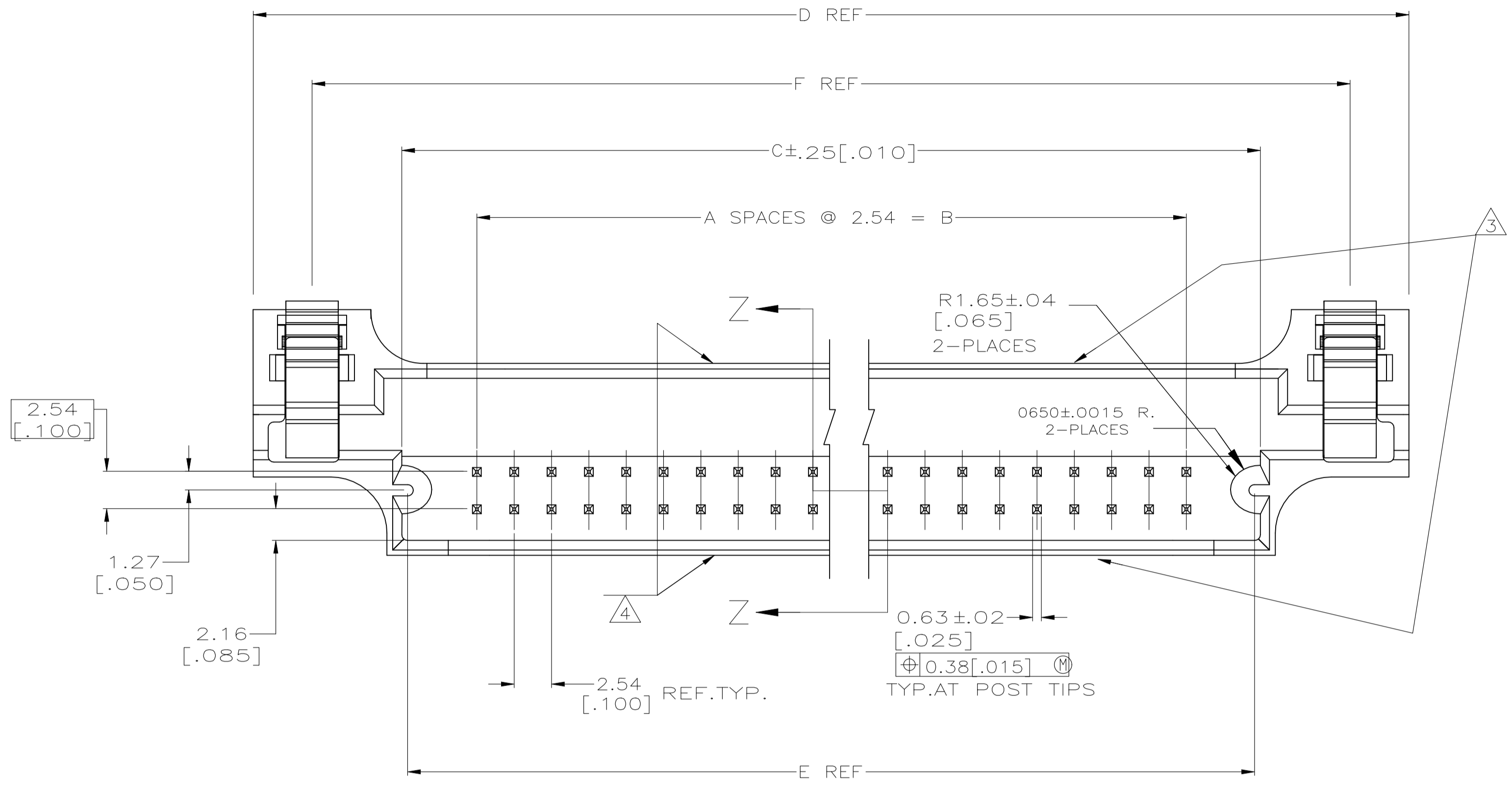


REVISIONS				
P	LTR	DESCRIPTION	DATE	APVD
E1		ECR-26-272188	28FEB2026	ABS PS



- △ FINISH OVER INDICATED AREA: 0.000762[.000030] MIN GOLD OVER 0.00127[.000050] NICKEL. MEETS EIA-364-53 POROSITY, MEAS. AREA .130 FROM TIP.
- △ FINISH OVER INDICATED AREA: 0.00254[.000100]-0.00635[.000250] MATTE OR BRIGHT TIN-LEAD OVER 0.00127[.000050] NICKEL.
- △ DATE CODE EITHER SIDE, WITH COUNTRY OF ORIGIN IF APPLICABLE.
- △ "VRM Header" MOLDED INTO BOTH SIDES OF HOUSING. WITH MATTE BACKGROUND.
- △ MATERIAL: GLASS FILLED VO THERMOPLASTIC COLOR: BLACK
- 6. RESTRICTED TO INTEL VRM PROGRAM
- △ VOID CORING OPTIONAL IN THIS AREA.
- △ FINISH OVER INDICATED AREA 0.00254-0.00635 (.000100-.000250) MATTE TIN OVER 0.00127 (.000050) NICKEL. MEETS EIA-364-53 POROSITY, MEAS. AREA .130 FROM TIP.
- △ ROHS 2002/95/EC COMPLIANT.
- △ SUPERSEDED BY 5-146315-1

△1△8	48.26 [1.900]	70.61 [2.780]	57.65 [2.270]	78.74 [3.100]	58.42 [2.300]	48.26 [1.900]	19	40	△9	5-146315-1
△1△2	48.26 [1.900]	70.61 [2.780]	57.65 [2.270]	78.74 [3.100]	58.42 [2.300]	48.26 [1.900]	19	40	△10	146315-1
FINISH	G	F	E	D	C	B	A	NO OF POSN	PART NUMBER	

THIS DRAWING IS A CONTROLLED DOCUMENT.

DWN	J. KNAUB	1-21-95
CHK	H. PALEY	1-21-95
APP'D	H. PALEY	1-21-95

TE Connectivity Ltd.

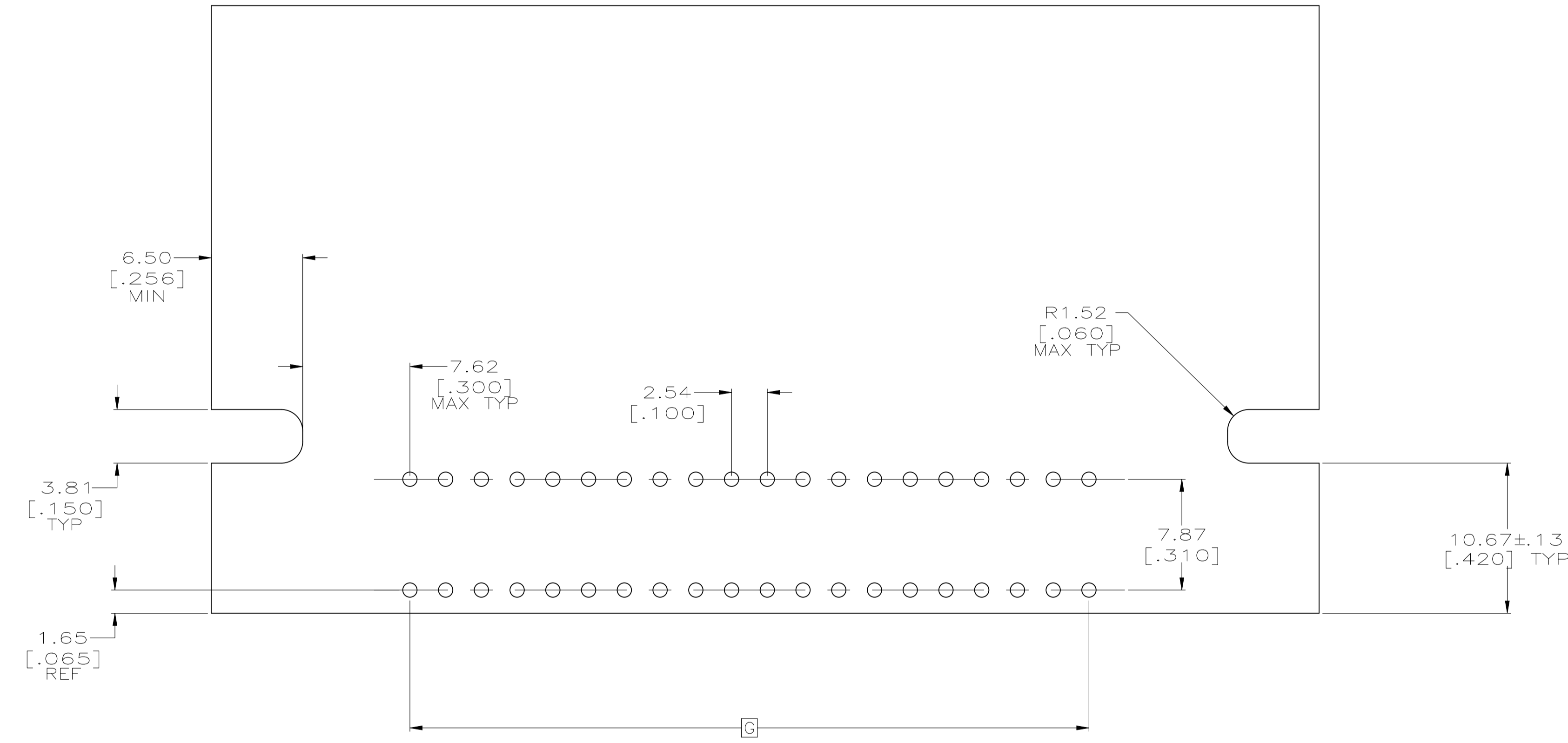
VRM8 HEADER, MOD II, DBL ROW,
2 PIECE, .100 X .100CL WITH BOARD LATCH WITH BOARD LATCH


SIZE: A1 CAGE CODE: 00779 DRAWING NO: 146315

MATERIAL: SEE TABLE FINISH: SEE TABLE

CUSTOMER DRAWING SCALE: 4:1 SHEET: 1 OF 2 REV: E1

REVISIONS				
REV	DATE	DESCRIPTION	BY	APP'D
-	-	SEE SHEET 1	-	-



THIS DRAWING IS A CONTROLLED DOCUMENT.		DIN J KNAUB 1-21-95	 TE Connectivity Ltd.
		CHK H PALEY 1-21-95	
DIMENSIONS: mm		APPROD H PALEY 1-21-95	NAME
TOLERANCES UNLESS OTHERWISE SPECIFIED:		PRODUCT SPEC	VRM8 HEADER, MOD II, DBL ROW, 2 PIECE, .100 X .100CL WITH BOARD LATCH WITH BOARD LATCH
0. PLC ± -		APPLICATION SPEC	SIZE CAGE CODE DRAWING NO
1. PLC ± -			A1 00779 C=146315
2. PLC ± .010		RESTRICTED TO	
3. PLC ± .005			
4. PLC ± .0005		WEIGHT	
ANGLES ± -		CUSTOMER DRAWING	SCALE 4:1 SHEET 2 OF 2 REV E1
MATERIAL 5 SEE TABLE			