

3-179437-0 ✓ ACTIVE

AMPMODU | AMPMODU 2 mm

TE Internal #: 3-179437-0

PCB Mount Receptacle, Vertical, Board-to-Board, 30 Position, 2 mm

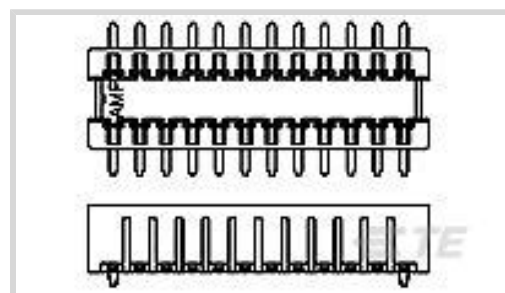
[.079 in] Centerline, Tin, Surface Mount, Signal, White, Reel,

AMPMODU 2 mm

[View on TE.com >](#)



Connectors > PCB Connectors > PCB Headers & Receptacles



EU RoHS Compliance: **Compliant**

EU ELV Compliance: **Compliant**

PCB Connector Assembly Type: **PCB Mount Receptacle**

PCB Mount Orientation: **Vertical**

Connector System: **Board-to-Board**

## Features

### Other

EU RoHS Compliance **Compliant**

EU ELV Compliance **Compliant**

### Product Type Features

PCB Connector Assembly Type **PCB Mount Receptacle**

Connector System **Board-to-Board**

Sealable **No**

Connector & Contact Terminates To **Printed Circuit Board**

### Configuration Features

Board-to-Board Configuration **Parallel**

Stackable **Yes**

PCB Mount Orientation **Vertical**

Number of Positions **30**

Number of Rows **2**

### Electrical Characteristics

Operating Voltage **125 VAC**

### Body Features

Connector Profile **Standard**

Primary Product Color **White**



### Contact Features

|  |                           |
|--|---------------------------|
| Contact Mating Area Plating Material Thickness | 1 $\mu$ m[39.37 $\mu$ in] |
| Mating Tab Width                               | .6 mm[.023 in]            |
| Contact Shape & Form                           | Rectangular               |
| Contact Base Material                          | Copper Alloy              |
| Mating Tab Thickness                           | .4 mm[.015 in]            |
| PCB Contact Termination Area Plating Material  | Tin                       |
| Contact Mating Area Plating Material           | Tin                       |
| Contact Type                                   | Socket                    |
| Contact Current Rating (Max)                   | 1 A                       |

### Termination Features

|   |                 |
|---|-----------------|
| Rectangular Termination Post & Tail Width     | .6 mm[.023 in]  |
| Rectangular Termination Post & Tail Thickness | .25 mm[.009 in] |
| Termination Method to PCB                     | Surface Mount   |

### Mechanical Attachment

|                          |                                |
|--------------------------|--------------------------------|
| Mating Alignment Type    | Self-Aligning (Alignment Free) |
| PCB Mount Alignment Type | Positioning Bosses             |
| PCB Mount Retention      | Without                        |
| PCB Mount Alignment      | With                           |
| Connector Mounting Type  | Board Mount                    |
| Mating Alignment         | With                           |

### Housing Features

|                       |               |
|-----------------------|---------------|
| Mating Entry Location | Top           |
| Housing Material      | Nylon 6T      |
| Centerline (Pitch)    | 2 mm[.079 in] |

### Dimensions

|                             |                 |
|-----------------------------|-----------------|
| Row-to-Row Spacing          | 4 mm[.157 in]   |
| Stack Height                | 7.62 mm[.3 in]  |
| PCB Thickness (Recommended) | 1.6 mm[.062 in] |
| Connector Height            | 5.1 mm[.201 in] |

### Usage Conditions

|                             |                            |
|-----------------------------|----------------------------|
| Operating Temperature Range | -30 – 105 °C[-22 – 221 °F] |
|-----------------------------|----------------------------|



### Operation/Application

|                     |        |
|---------------------|--------|
| Circuit Application | Signal |
|---------------------|--------|

### Industry Standards

|                        |          |
|------------------------|----------|
| UL Flammability Rating | UL 94V-0 |
|------------------------|----------|

### Packaging Features

|                    |      |
|--------------------|------|
| Packaging Quantity | 800  |
| Packaging Method   | Reel |

### Product Compliance

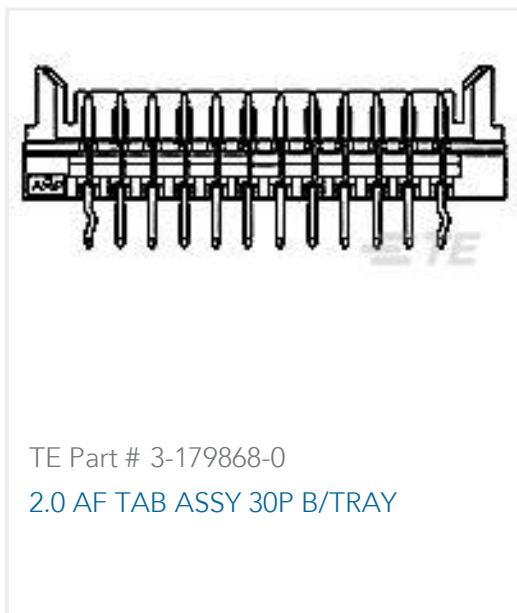
[For compliance documentation, visit the product page on TE.com>](#)

|   |   |
|---|---|
| EU RoHS Directive 2011/65/EU                  | Compliant   |
| EU ELV Directive 2000/53/EC                   | Compliant   |
| China RoHS 2 Directive MIIT Order No 32, 2016 | No Restricted Materials Above Threshold   |
| EU REACH Regulation (EC) No. 1907/2006        | Current ECHA Candidate List: JUNE 2024 (241)<br>Candidate List Declared Against: JUNE 2024 (241)<br>Does not contain REACH SVHC |
| Halogen Content                               | Not Low Halogen - contains Br or Cl > 900 ppm.  |
| Solder Process Capability                     | Reflow solder capable to 245°C  |

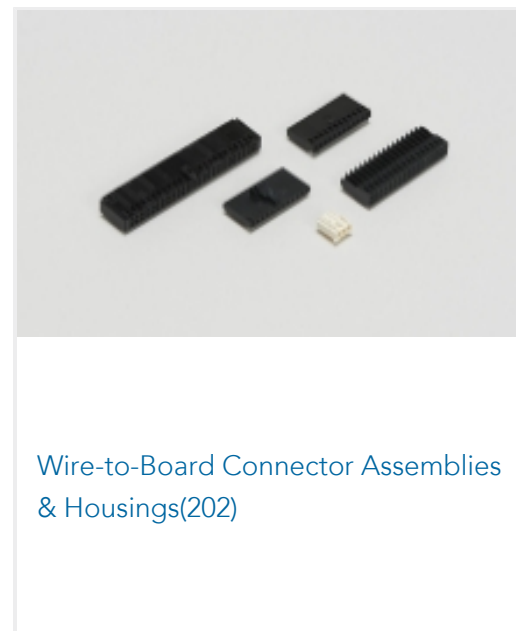
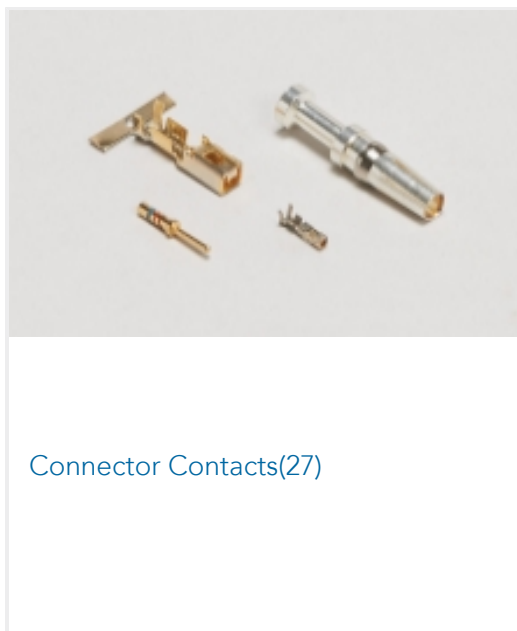
#### Product Compliance Disclaimer

This information is provided based on reasonable inquiry of our suppliers and represents our current actual knowledge based on the information they provided. This information is subject to change. The part numbers that TE has identified as EU RoHS compliant have a maximum concentration of 0.1% by weight in homogenous materials for lead, hexavalent chromium, mercury, PBB, PBDE, DBP, BBP, DEHP, DIBP, and 0.01% for cadmium, or qualify for an exemption to these limits as defined in the Annexes of Directive 2011/65/EU (RoHS2). Finished electrical and electronic equipment products will be CE marked as required by Directive 2011/65/EU. Components may not be CE marked. Additionally, the part numbers that TE has identified as EU ELV compliant have a maximum concentration of 0.1% by weight in homogenous materials for lead, hexavalent chromium, and mercury, and 0.01% for cadmium, or qualify for an exemption to these limits as defined in the Annexes of Directive 2000/53/EC (ELV). Regarding the REACH Regulation, the information TE provides on SVHC in articles for this part number is based on the latest European Chemicals Agency (ECHA) 'Guidance on requirements for substances in articles' posted at this URL: <https://echa.europa.eu/guidance-documents/guidance-on-reach>

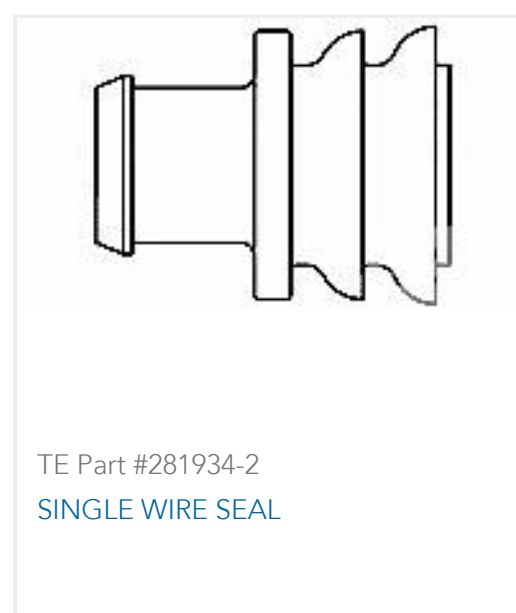
### Compatible Parts



### Also in the Series | AMPMODU 2 mm



### Customers Also Bought



### Documents

#### Product Specifications

2.0 mm Pitch Alignment Free Board to Board Connector

English

2.0 mm Pitch Alignment Free Board to Board Connector

Japanese

Product Specification

3-179437-0

PCB Mount Receptacle, Vertical, Board-to-Board, 30 Position, 2 mm [.079 in]  
Centerline, Tin, Surface Mount, Signal, White, Reel, AMPMODU 2 mm



Japanese

**Product Specification**

English