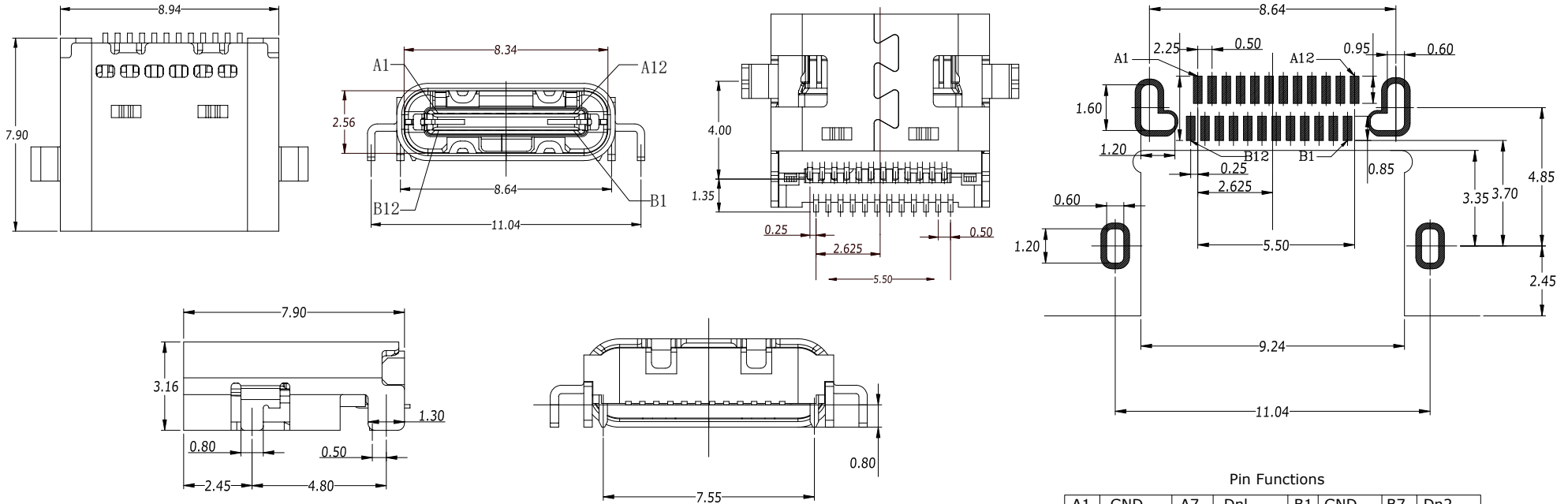
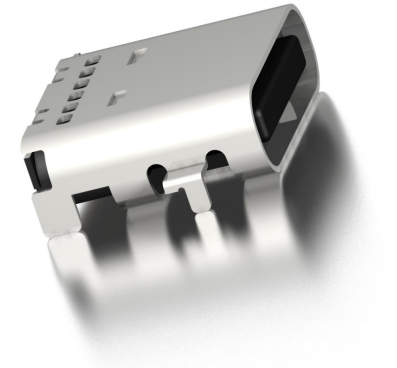


# SCNUS - UC - 124GPF - SMRTH

Suntsu Connector      USB      Number of Ports      Contact Plating Gold Flash      Termination Style Solder      Mounting Style Through Hole  
 Connector      USB-C      Number of Contacts      Female      Mounting Angle Right



Pin Functions

A1	GND	A7	Dn1	B1	GND	B7	Dn2
A2	SSTXp1	A8	SBU1	B2	SSTXp2	B8	SBU2
A3	SSTXn1	A9	VBUS	B3	SSTXn2	B9	VBUS
A4	VEUS	A10	SSRXn2	B4	VBUS	B10	SSRXn1
A5	CC1	A11	SSRXp2	B5	CC2	B11	SSRXp1
A6	Dp1	A12	GND	B6	Dp2	B12	GND

**Specification**  
 Current Rating: 3.0A  
 Contact Resistance: 40mΩ Max.  
 Insulation Resistance: 100MΩ Min.  
 Dielectric Voltage: 100V AC for one minute  
 Operation Temperature: -30°C to 85°C  
 Durability: 10000 Cycles Min.  
 Insertion Force: 5N ~20N  
 Unmating Force: 8N ~20N



**USB TYPE C FEMALE RIGHT ANGLE THROUGH-HOLE CONNECTOR**

Document History				Part No.	Drawn
Edits Made	Date	Edited By	Approved By	SCNUS-UC-124GPF-SMRST	B. Gibbons
Initial Release	12/22/20	B. Gibbons	KH Mun		12/22/2020
				Scale	Tolerance
				Unit	Pages
				mm	1/1