

2-1969688-2 ✓ ACTIVE



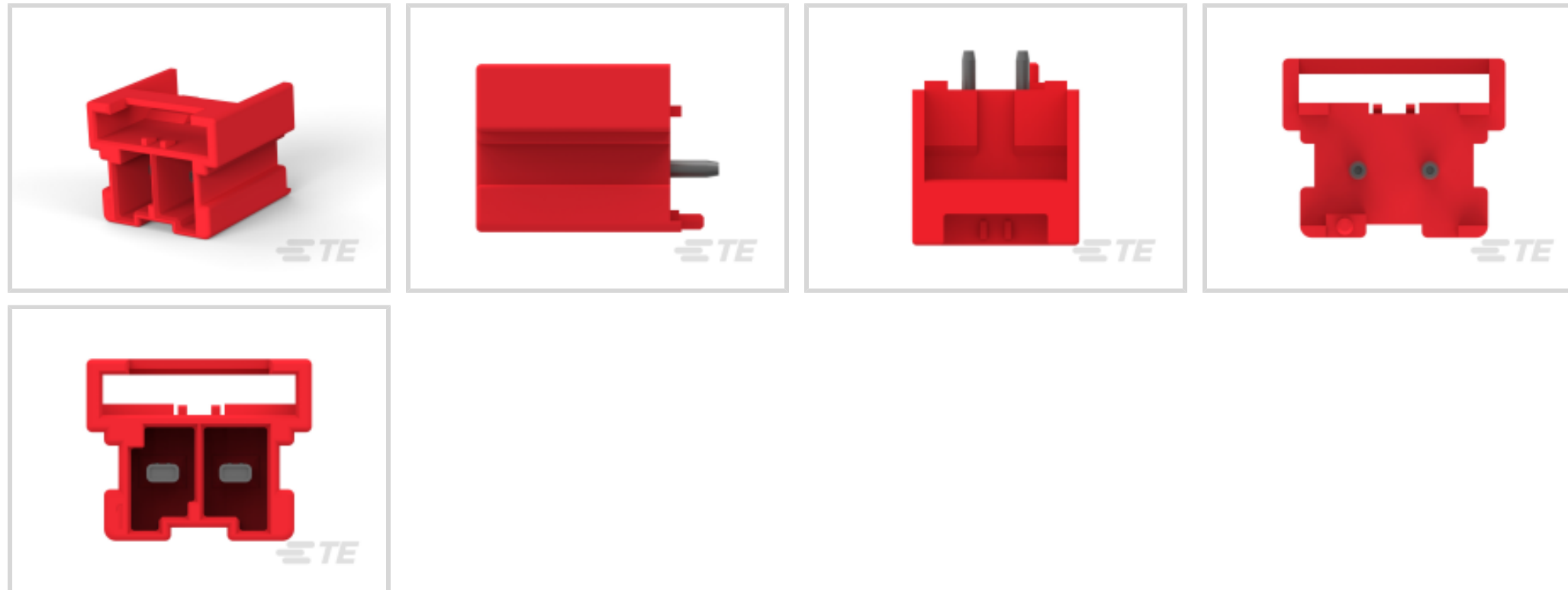
### Power Triple Lock

TE Internal #: 2-1969688-2

PCB Mount Header, Vertical, Wire-to-Board, 2 Position, 6 mm [.236 in] Centerline, Fully Shrouded, Pre-Tin, Through Hole - Solder, Power Triple Lock

[View on TE.com >](#)

Connectors > PCB Connectors > PCB Headers & Receptacles



EU RoHS Compliance: **Compliant**

EU ELV Compliance: **Compliant**

PCB Connector Assembly Type: **PCB Mount Header**

PCB Mount Orientation: **Vertical**

Connector System: **Wire-to-Board**

### Features

#### Other

EU RoHS Compliance	Compliant
EU ELV Compliance	Compliant

#### Product Type Features

Mixed & Hybrid Header	No
Connector Shape	Rectangular
PCB Connector Assembly Type	PCB Mount Header
Connector System	Wire-to-Board
Header Type	Fully Shrouded
Sealable	No
Connector & Contact Terminates To	Printed Circuit Board

#### Configuration Features

Number of Columns	2
Number of Loaded Positions	2
Number of Power Positions	2



Connector Contact Load Condition	Fully Loaded
PCB Mount Orientation	Vertical
Number of Positions	2
Number of Rows	1

### Electrical Characteristics

Operating Voltage	600 VDC
-------------------	---------

### Body Features

Connector & Keying Code	B
Primary Product Color	Red

### Contact Features

PCB Contact Termination Area Plating Material Finish	Bright
Contact Size	2.7mm
Mating Tab Width	2.7 mm[.106 in]
Contact Shape & Form	Rectangular
Contact Layout	Inline
Contact Base Material	Copper Alloy
Mating Tab Thickness	1.5 mm[.059 in]
PCB Contact Termination Area Plating Material	Pre-Tin
Contact Mating Area Plating Material Finish	Bright
Contact Mating Area Plating Material	Pre-Tin
Contact Type	Pin
Contact Current Rating (Max)	20 A

### Termination Features

Termination Post & Tail Diameter	1.57 mm[.062 in]
Termination Post & Tail Length	3.33 mm[.131 in]
Termination Method to PCB	Through Hole - Solder

### Mechanical Attachment

Panel Mount Feature	Without
Mating Retention Type	Latch Retainer
Mating Retention	With
Mating Alignment Type	Keyed, Polarization
PCB Mount Alignment Type	Guide Pin



PCB Mount Retention	Without
PCB Mount Alignment	With
Connector Mounting Type	Board Mount
Mating Alignment	With

### Housing Features

Mating Entry Location	Top
Housing Material	Nylon
Centerline (Pitch)	6 mm [.236 in]

### Dimensions

Connector Width	14.95 mm [.588 in]
PCB Thickness (Recommended)	1.58 mm [.062 in]
Connector Height	18.3 mm [.72 in]
Connector Length	15.7 mm [.618 in]

### Usage Conditions

Operating Temperature (Max)	150 °C [302 °F]
Operating Temperature Range	-55 – 150 °C [-67 – 302 °F]

### Operation/Application

Circuit Application	Power
---------------------	-------

### Industry Standards

Compatible With Agency/Standards Products	UL, VDE
UL Rating	Recognized
Compatible With Approved Standards Products	UL E28476
Glow Wire Rating	GWT 850°C (Flame ≤ 30 sec)
UL Flammability Rating	UL 94V-0

### Packaging Features

Packaging Quantity	144
Packaging Method	Tray

### Product Compliance

For compliance documentation, visit the product page on [TE.com](https://www.te.com)>

EU RoHS Directive 2011/65/EU	Compliant
EU ELV Directive 2000/53/EC	Compliant



China RoHS 2 Directive MIIT Order No 32, 2016	No Restricted Materials Above Threshold
EU REACH Regulation (EC) No. 1907/2006	Current ECHA Candidate List: JUNE 2024 (241) Candidate List Declared Against: JUNE 2024 (241) Does not contain REACH SVHC
Halogen Content	Low Halogen - Br, Cl, F, I < 900 ppm per homogenous material. Also BFR/CFR/PVC Free
Solder Process Capability	Wave solder capable to 240°C

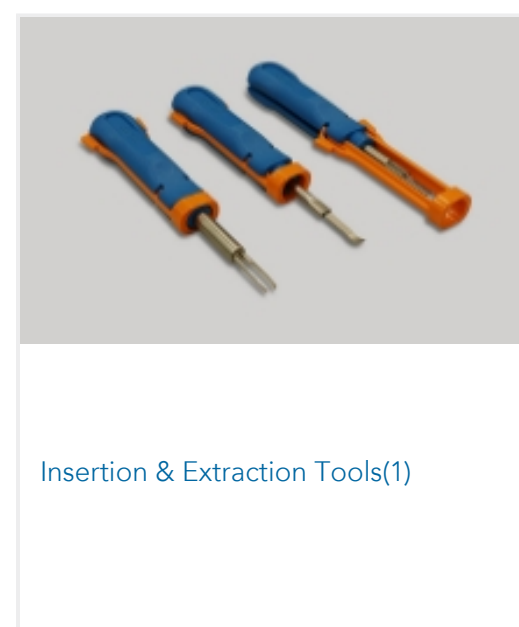
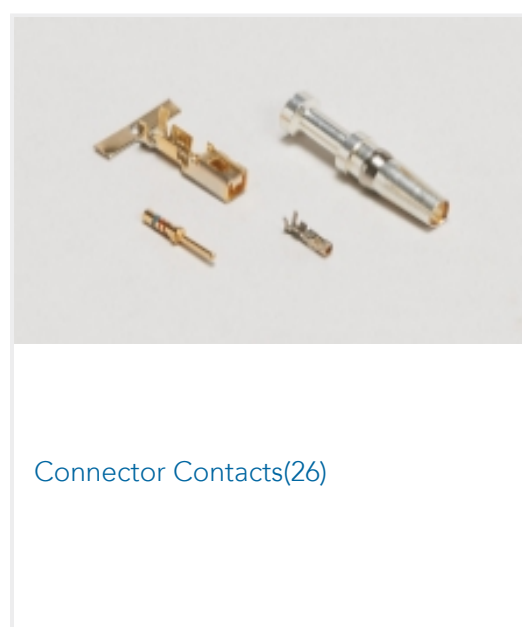
Product Compliance Disclaimer

This information is provided based on reasonable inquiry of our suppliers and represents our current actual knowledge based on the information they provided. This information is subject to change. The part numbers that TE has identified as EU RoHS compliant have a maximum concentration of 0.1% by weight in homogenous materials for lead, hexavalent chromium, mercury, PBB, PBDE, DBP, BBP, DEHP, DIBP, and 0.01% for cadmium, or qualify for an exemption to these limits as defined in the Annexes of Directive 2011/65/EU (RoHS2). Finished electrical and electronic equipment products will be CE marked as required by Directive 2011/65/EU. Components may not be CE marked. Additionally, the part numbers that TE has identified as EU ELV compliant have a maximum concentration of 0.1% by weight in homogenous materials for lead, hexavalent chromium, and mercury, and 0.01% for cadmium, or qualify for an exemption to these limits as defined in the Annexes of Directive 2000/53/EC (ELV). Regarding the REACH Regulation, the information TE provides on SVHC in articles for this part number is based on the latest European Chemicals Agency (ECHA) 'Guidance on requirements for substances in articles' posted at this URL: <https://echa.europa.eu/guidance-documents/guidance-on-reach>

## Compatible Parts



## Also in the Series | Power Triple Lock





Rectangular Power Connectors(280)

### Customers Also Bought



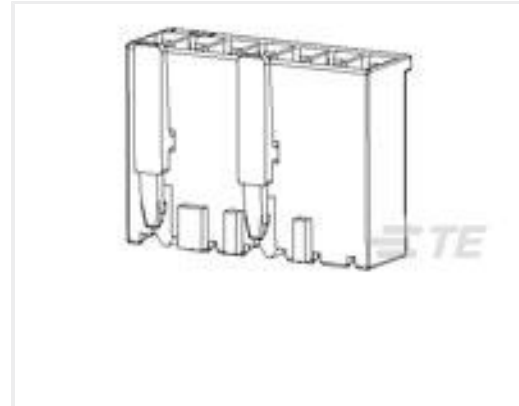
TE Part #2-1376388-3  
STD Temp Power Key Plug



TE Part #1-1971773-2  
POWER TRIPLE LOCK Plug, Standard Temperature



TE Part #1-1969688-2  
PTL 1X2 PCB HEADER VERT HITEMP KEY A LGR



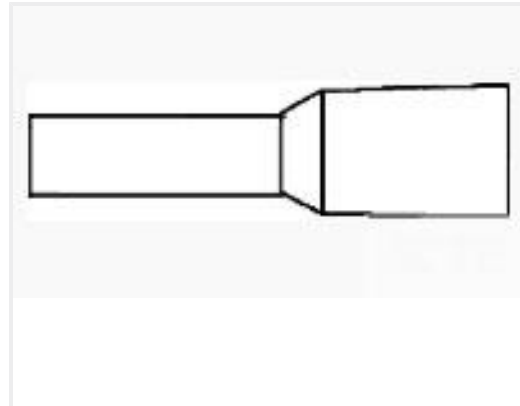
TE Part #5-928247-2  
2P ST-TIMER GEH



TE Part #928247-2  
2P ST-TIMER GEH



TE Part #8-928247-2  
STD TIMER GEH 2P



TE Part #1-966067-8  
FER,WIRE,PL SLV,2.50/14,L18,BLUE,LP

### Documents

#### Product Drawings

[PTL 1X2 PCB HEADER VERT HITEMP KEY B RED](#)

English

#### CAD Files

[3D PDF](#)

3D

Customer View Model

[ENG\\_CVM\\_CVM\\_2-1969688-2\\_B.2d\\_dxf.zip](#)

English

Customer View Model

[ENG\\_CVM\\_CVM\\_2-1969688-2\\_B.3d\\_igs.zip](#)

English

Customer View Model

[ENG\\_CVM\\_CVM\\_2-1969688-2\\_B.3d\\_stp.zip](#)

English

By downloading the CAD file I accept and agree to the [Terms and Conditions](#) of use.



---

**Product Specifications**

**Application Specification**

English

---

**Agency Approvals**

**VDE Certificate**

English

**VDE Certificate**

English