

5787745-2 ✓ ACTIVE

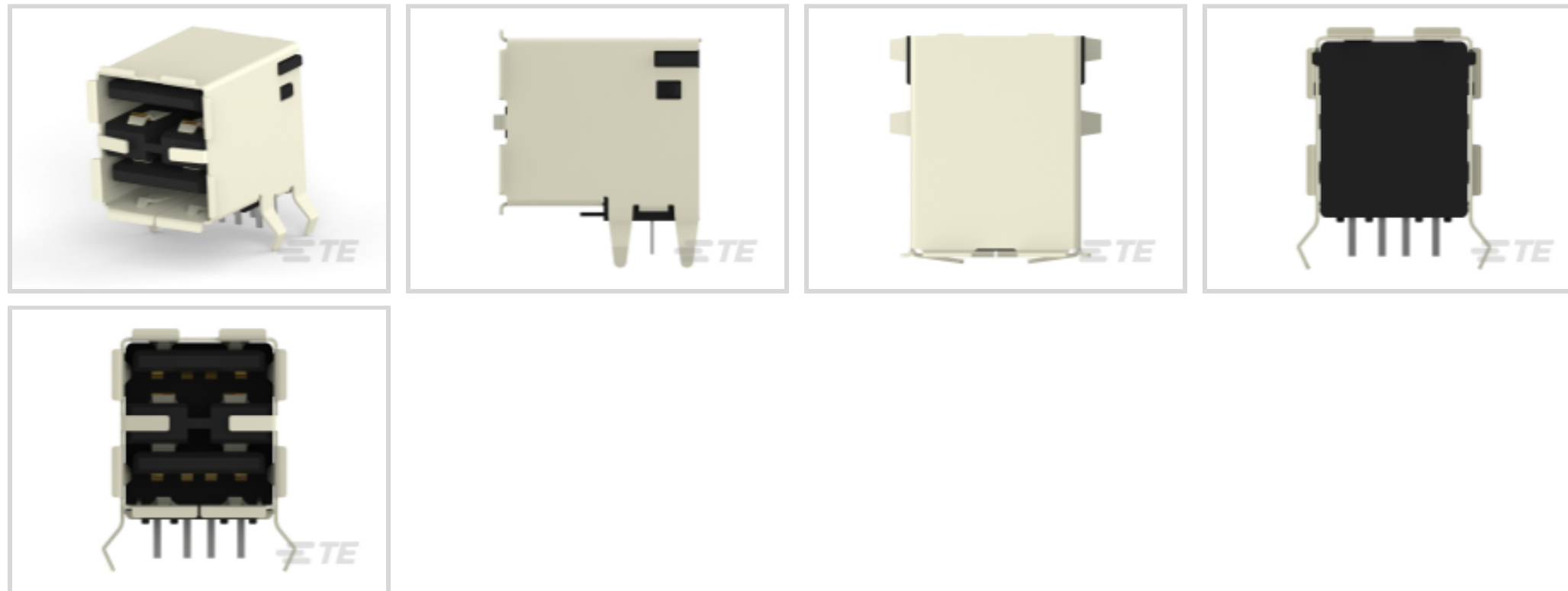
TE Internal #: 5787745-2

A, 2.0, Standard Profile, Receptacle, 2 Port, Top, Right Angle, Box & Tray / Tray, Through Hole - Solder, Cable-to-Board, 1500, USB Connectors

[View on TE.com >](#)



Connectors > Audio & Video Connectors > USB Connectors



USB Adapter Type: **A**

USB Version: **2.0**

Connector Profile: **Standard**

Connector & Housing Type: **Receptacle**

Number of Ports: **2**

Features

Product Type Features

USB Adapter Type	A
USB Version	2.0
Connector & Housing Type	Receptacle
Connector System	Cable-to-Board
Connector & Contact Terminates To	Printed Circuit Board
USB Connector Type	USB 2.0 Type-A
Ground Feature Type	Ground Finger
Grounding Options	Panel Ground

Body Features

Connector Profile	Standard
Shell Plating Finish	Bright
Shell Plating Material	Tin

Configuration Features

Number of Ports	2
-----------------	---



Number of Positions	8
Panel Ground Location	Between Ports

Mechanical Attachment

PCB Mount Location	Top
PCB Mount Retention Type	Kinked Legs
Connector Mounting Type	Board Mount
Locking Feature	With

Housing Features

Body Orientation	Right Angle
Centerline (Pitch)	2 mm, 2.5 mm [.098 in] [.078 in]
Housing Color	Black
Housing Material	Thermoplastic

Packaging Features

Packaging Method	Tray, Box & Tray
Packaging Quantity	88

Termination Features

Termination Method to PCB	Through Hole - Solder
Termination Post & Tail Length	2.29 mm [.09 in]

Usage Conditions

Soldering Temperature (Max)	245 °C [500 °F]
Mating Cycles (Max)	1500
Operating Temperature Range	-55 – 85 °C [-67 – 185 °F]

Contact Features

Contact Current Rating (Max)	1 A
Contact Mating Area Plating Material Thickness	.76 µm [29.92 µin]
Contact Mating Area Plating Material	Gold or Gold Flash over Palladium Nickel

Operation/Application

Circuit Application	Signal
---------------------	--------

Other

EU RoHS Compliance	Compliant
EU ELV Compliance	Compliant

Dimensions



PCB Thickness (Recommended)	1.57 mm[.062 in]
-----------------------------	------------------

Industry Standards

Industry Standard	USB 2.0
-------------------	---------

Product Compliance

[For compliance documentation, visit the product page on TE.com>](#)

EU RoHS Directive 2011/65/EU	Compliant
EU ELV Directive 2000/53/EC	Compliant
China RoHS 2 Directive MIIT Order No 32, 2016	No Restricted Materials Above Threshold
EU REACH Regulation (EC) No. 1907/2006	Current ECHA Candidate List: JUNE 2024 (241) Candidate List Declared Against: JUNE 2024 (241) Does not contain REACH SVHC
Halogen Content	Not Low Halogen - contains Br or Cl > 900 ppm.
Solder Process Capability	Wave solder capable to 240°C

Product Compliance Disclaimer

This information is provided based on reasonable inquiry of our suppliers and represents our current actual knowledge based on the information they provided. This information is subject to change. The part numbers that TE has identified as EU RoHS compliant have a maximum concentration of 0.1% by weight in homogenous materials for lead, hexavalent chromium, mercury, PBB, PBDE, DBP, BBP, DEHP, DIBP, and 0.01% for cadmium, or qualify for an exemption to these limits as defined in the Annexes of Directive 2011/65/EU (RoHS2). Finished electrical and electronic equipment products will be CE marked as required by Directive 2011/65/EU. Components may not be CE marked. Additionally, the part numbers that TE has identified as EU ELV compliant have a maximum concentration of 0.1% by weight in homogenous materials for lead, hexavalent chromium, and mercury, and 0.01% for cadmium, or qualify for an exemption to these limits as defined in the Annexes of Directive 2000/53/EC (ELV). Regarding the REACH Regulation, the information TE provides on SVHC in articles for this part number is based on the latest European Chemicals Agency (ECHA) 'Guidance on requirements for substances in articles' posted at this URL: <https://echa.europa.eu/guidance-documents/guidance-on-reach>

Compatible Parts




TE Part # 1-2199298-2
8P, DIP SKT, 300 CL, LDR, PB FREE



TE Part # 1827525-1
MECHATROLINK II CONNECTOR KIT



TE Part # 1-1734028-1
Std USB, Type A, Plug, Natural



TE Part # 1487599-1
USB, A-BLUNT, 28/28, BLK, 0.83M




TE Part # 1734028-1
Std USB Type A, Plug, Natural



TE Part # 1487593-1
USB, A-BLUNT,28/24,WHT,2.0M



TE Part # 1-1734028-3
Std USB, Type A, Plug




TE Part # 1496476-1
STD USB-A TO MINI-B ASSY, 1M



TE Part # 1487600-1
USB, A-BLUNT,28/26,BLK,1.0M



TE Part # 1487591-1
USB, A-BLUNT,28/28,WHT,0.83M



TE Part # 1929690-1
USB CABLE, USB A to Mini USB,Blue

Customers Also Bought



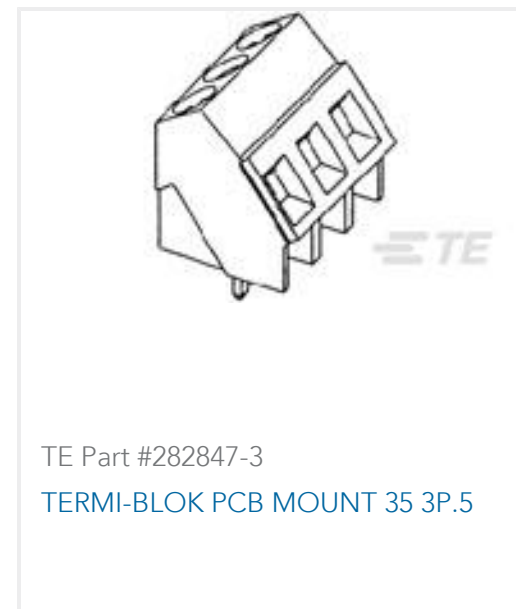
TE Part #2199337-5
ASS'Y FOR MICRO SIM H1.18 8POS (EMBOSS)



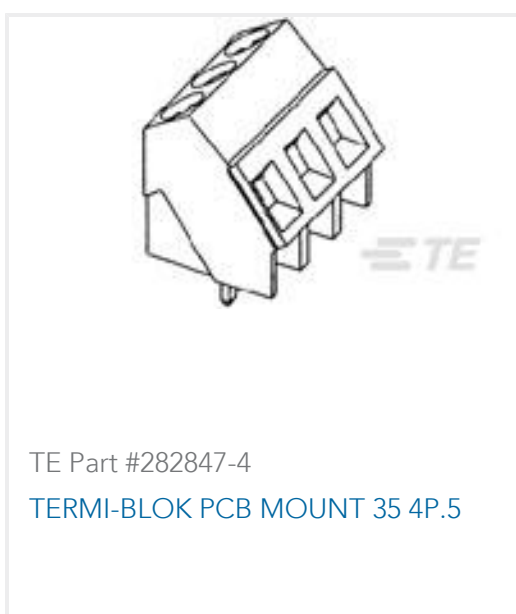
TE Part #42822-2
250 FASTON TAB TPBR



TE Part #1-170823-9
250 FASTON SLEEVE,REC., TRANSPARENT,NAT



TE Part #282847-3
TERMI-BLOK PCB MOUNT 35 3P.5



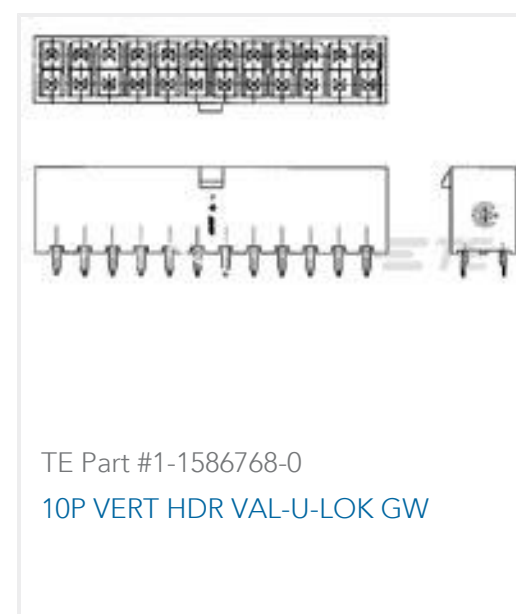
TE Part #282847-4
TERMI-BLOK PCB MOUNT 35 4P.5



TE Part #5353928-1
Std USB Type A, R/A, SMT, Offset, Panel



TE Part #BAT-HLD-012-SMT-TR
Battery Holder 1216 1225 SMT T&R Pack



TE Part #1-1586768-0
10P VERT HDR VAL-U-LOK GW Pack



TE Part #5212034-1
8 CIRC DIN RCPT GRND SHLD

Documents



Product Drawings

USB A R/A STAK ASSY THRU HOLE

English

CAD Files

3D PDF

3D

Customer View Model

[ENG_CVM_CVM_5787745-2_B.2d_dxf.zip](#)

English

Customer View Model

[ENG_CVM_CVM_5787745-2_B.3d_igs.zip](#)

English

Customer View Model

[ENG_CVM_CVM_5787745-2_B.3d_stp.zip](#)

English

By downloading the CAD file I accept and agree to the [Terms and Conditions](#) of use.

Product Specifications

Application Specification

English