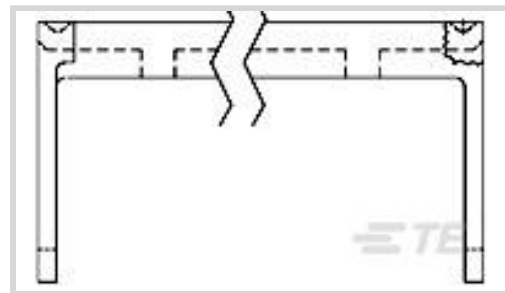




Connectors > Connector Accessories > Connector Caps & Covers > Female Socket Connectors: Strain Relief



Connector Cover Type: **Strain Relief Cover**

Primary Product Color: **Blue**

Primary Product Material: **Glass-Filled Thermoplastic**

Number of Positions: **26**

EU RoHS Compliance: **Compliant**

[All Female Socket Connectors: Strain Relief \(13\)](#)

## Features

### Product Type Features

Connector Cover Type	Strain Relief Cover
----------------------	---------------------

### Body Features

Primary Product Color	Blue
Primary Product Material	Glass-Filled Thermoplastic

### Configuration Features

Number of Positions	26
---------------------	----

### Other

EU RoHS Compliance	Compliant
EU ELV Compliance	Compliant

### Dimensions

Product Length	37.69 mm
----------------	----------

### Industry Standards

UL Flammability Rating	UL 94V-0
------------------------	----------

### Packaging Features

Packaging Method	Package
Packaging Quantity	50

## Product Compliance

[For compliance documentation, visit the product page on TE.com>](#)

EU RoHS Directive 2011/65/EU	Compliant
EU ELV Directive 2000/53/EC	Compliant
China RoHS 2 Directive MIIT Order No 32, 2016	No Restricted Materials Above Threshold
EU REACH Regulation (EC) No. 1907/2006	Current ECHA Candidate List: JUNE 2024 (241) Candidate List Declared Against: JUNE 2024 (241) Does not contain REACH SVHC
Halogen Content	Not Low Halogen - contains Br or Cl > 900 ppm.
Solder Process Capability	Not applicable for solder process capability

### Product Compliance Disclaimer

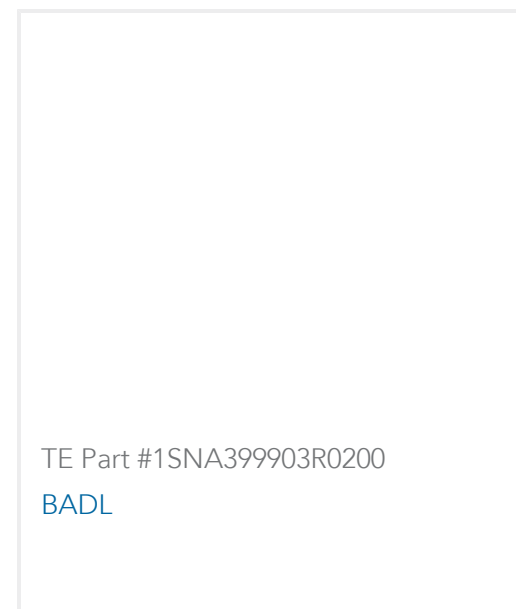
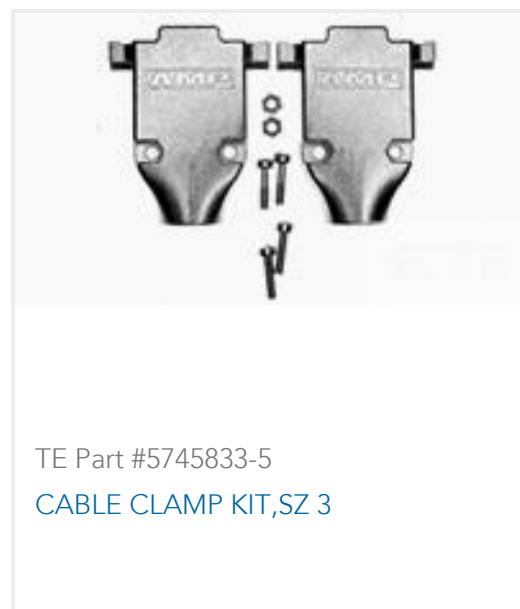
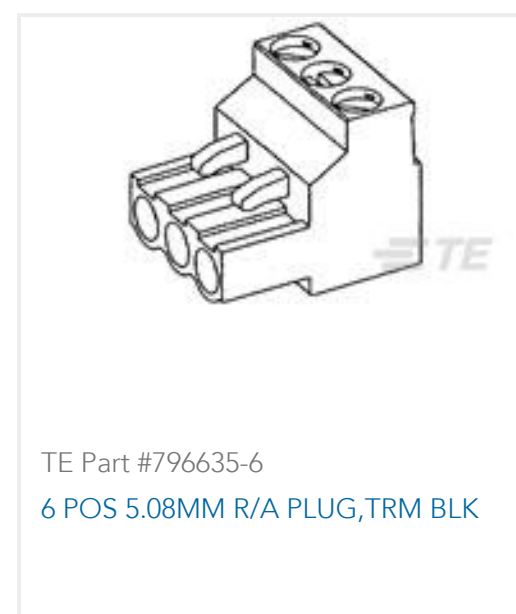
This information is provided based on reasonable inquiry of our suppliers and represents our current actual knowledge based on the information they provided. This information is subject to change. The part numbers that TE has identified as EU RoHS compliant have a maximum concentration of 0.1% by weight in homogenous materials for lead, hexavalent chromium, mercury, PBB, PBDE, DBP, BBP, DEHP, DIBP, and 0.01% for cadmium, or qualify for an exemption to these limits as defined in the Annexes of Directive 2011/65/EU (RoHS2). Finished electrical and electronic equipment products will be CE marked as required by Directive 2011/65/EU. Components may not be CE marked. Additionally, the part numbers that TE has identified as EU ELV compliant have a maximum concentration of 0.1% by weight in homogenous materials for lead, hexavalent chromium, and mercury, and 0.01% for cadmium, or qualify for an exemption to these limits as defined in the Annexes of Directive 2000/53/EC (ELV). Regarding the REACH Regulation, the information TE provides on SVHC in articles for this part number is based on the latest European Chemicals Agency (ECHA) 'Guidance on requirements for substances in articles' posted at this URL: <https://echa.europa.eu/guidance-documents/guidance-on-reach>

## Compatible Parts

 <p>TE Part # CAT-AM74-UN384H AMP-LATCH UNIVERSAL HEADERS</p>	 <p>TE Part # 2-111506-1 026 UNIV I/O 30DP SLOT LTCH</p>	 <p>TE Part # 2-1761607-9 IDC LOW PRO HDR 26P RA LG LAT</p>	 <p>TE Part # 1-1658526-5 609-2630LF FEM SOCKET, LEAD FREE</p>
 <p>TE Part # 5103310-6 A/L LOW PRO HDR 26P RA BLACK</p>	 <p>TE Part # 2-1761603-9 IDC LOW PRO HDR 26P VERT BLUE</p>	 <p>TE Part # 2-1761606-9 IDC LOW PRO HDR 26P VERT LG LA</p>	 <p>TE Part # 5103311-6 A/L LOW PRO HDR 26P RA BLACK</p>



### Customers Also Bought



### Documents



### Product Drawings

[609-2631HD=FSKT IDC S 26 SR](#)

English

---

### CAD Files

[3D PDF](#)

3D

Customer View Model

[ENG\\_CVM\\_CVM\\_1-1437021-2\\_C.2d\\_dxf.zip](#)

English

Customer View Model

[ENG\\_CVM\\_CVM\\_1-1437021-2\\_C.3d\\_igs.zip](#)

English

Customer View Model

[ENG\\_CVM\\_CVM\\_1-1437021-2\\_C.3d\\_stp.zip](#)

English

By downloading the CAD file I accept and agree to the [Terms and Conditions](#) of use.

---

### Datasheets & Catalog Pages

[Ribbon Cable Interconnect Solutions](#)

English