

1981971-1 ✓ ACTIVE



GRACE INERTIA 2.5

TE Internal #: 1981971-1

Wire-to-Wire, 8 Position, 2.5 mm [.098 in] Centerline, 2 Row, PBT GF, Receptacle, Tab, Wire & Cable, GRACE INERTIA 2.5, Rectangular Connector Housings

[View on TE.com >](#)

Connectors > Rectangular Connectors > Rectangular Connector Housings > STD Temp Sig GRACE INERTIA Cap



Connector System: **Wire-to-Wire**

Number of Positions: **8**

Centerline (Pitch): **2.5 mm [.098 in]**

Number of Rows: **2**

Housing Material: **PBT GF**

[All STD Temp Sig GRACE INERTIA Cap \(20\)](#)

Features

Product Type Features

Connector System	Wire-to-Wire
Connector & Housing Type	Receptacle
Sealable	No
Connector & Contact Terminates To	Wire & Cable

Configuration Features

Number of Positions	8
Number of Rows	2
Number of Cavities	8

Housing Features

Centerline (Pitch)	2.5 mm[.098 in]
Housing Material	PBT GF
Housing Color	Natural



Contact Features

Contact Type	Tab
Contact Layout	Matrix

Operation/Application

Circuit Application	Signal
Halogen Free	No

Mechanical Attachment

Connector Mounting Type	Cable Mount (Free-Hanging)
-------------------------	----------------------------

Usage Conditions

Operating Temperature Range	-30 – 105 °C[-22 – 221 °F]
-----------------------------	----------------------------

Other

EU RoHS Compliance	Compliant
EU ELV Compliance	Compliant

Electrical Characteristics

Operating Voltage	250 VDC
-------------------	---------

Dimensions

Row-to-Row Spacing	7.6 mm[.3 in]
Product Width	14.4 mm[.567 in]
Product Length	13.7 mm[.539 in]
Connector Height	18.8 mm[.74 in]

Identification Marking

Circuit Identification Feature	Without
--------------------------------	---------

Industry Standards

Compatible With Agency/Standards Products	UL
UL Flammability Rating	UL 94V-0
Compatible With Approved Standards Products	UL E28476
Glow Wire Rating	Standard Part - Not Glow Wire

Packaging Features

Packaging Method	Bag
Packaging Quantity	500



Product Compliance

[For compliance documentation, visit the product page on TE.com>](#)

EU RoHS Directive 2011/65/EU	Compliant
EU ELV Directive 2000/53/EC	Compliant
China RoHS 2 Directive MIIT Order No 32, 2016	No Restricted Materials Above Threshold
EU REACH Regulation (EC) No. 1907/2006	Current ECHA Candidate List: JUNE 2024 (241) Candidate List Declared Against: JUNE 2024 (241) Does not contain REACH SVHC
Halogen Content	Not Low Halogen - contains Br or Cl > 900 ppm.
Solder Process Capability	Not applicable for solder process capability

Product Compliance Disclaimer

This information is provided based on reasonable inquiry of our suppliers and represents our current actual knowledge based on the information they provided. This information is subject to change. The part numbers that TE has identified as EU RoHS compliant have a maximum concentration of 0.1% by weight in homogenous materials for lead, hexavalent chromium, mercury, PBB, PBDE, DBP, BBP, DEHP, DIBP, and 0.01% for cadmium, or qualify for an exemption to these limits as defined in the Annexes of Directive 2011/65/EU (RoHS2). Finished electrical and electronic equipment products will be CE marked as required by Directive 2011/65/EU. Components may not be CE marked. Additionally, the part numbers that TE has identified as EU ELV compliant have a maximum concentration of 0.1% by weight in homogenous materials for lead, hexavalent chromium, and mercury, and 0.01% for cadmium, or qualify for an exemption to these limits as defined in the Annexes of Directive 2000/53/EC (ELV). Regarding the REACH Regulation, the information TE provides on SVHC in articles for this part number is based on the latest European Chemicals Agency (ECHA) 'Guidance on requirements for substances in articles' posted at this URL: <https://echa.europa.eu/guidance-documents/guidance-on-reach>

Compatible Parts



TE Part # CAT-G7534A-C1701
STD Temp Sig GRACE INERTIA Cap



TE Part # CAT-G7534A-P729
STD Temp Sig GRACE INERTIA Plug



TE Part # 1981970-1
GIC2.5W PLUG HOUSING 8POS (2-ROW) NAT

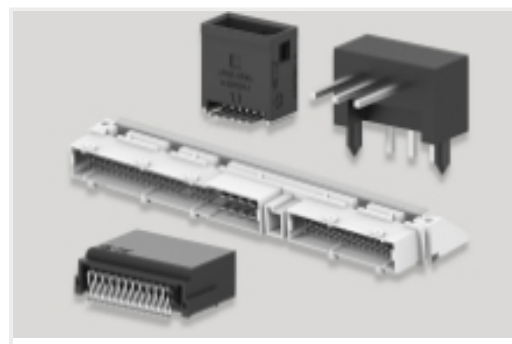
Also in the Series | GRACE INERTIA 2.5



Connector Contacts(6)



Connector Hardware(7)



PCB Headers & Receptacles(173)

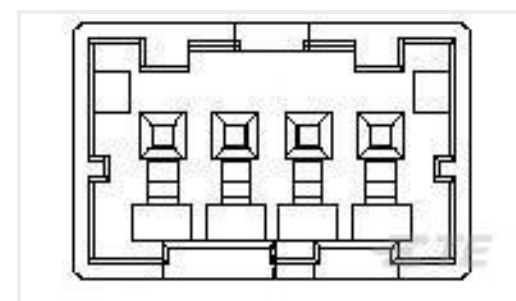
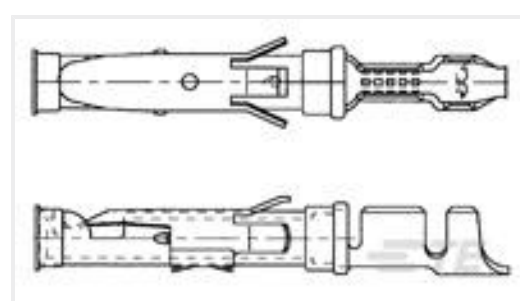
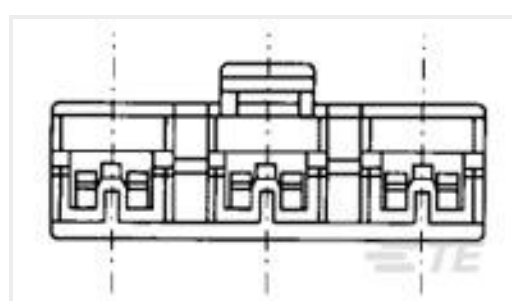
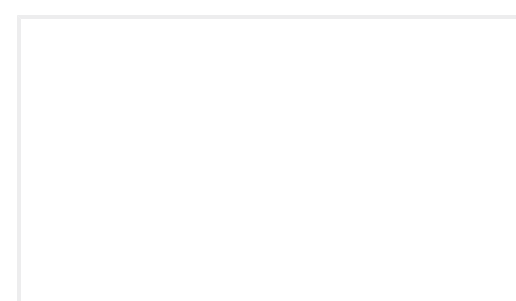


Rectangular Connector Housings(49)



Wire-to-Board Connector Assemblies & Housings(47)

Customers Also Bought

TE Part #DRC12-40PB
REC, 40P, BLK, N, FLANGE, BTE Part #440129-2
2.0MM,HSG,2POSTE Part #2-34162-1
TERMINAL,PG R 16-14 1/4TE Part #1-1903393-2
GIC 2.5 W CAP HSG 4P REDTE Part #0411-204-1605
EXT TOOL, SIZE 16, 16-18 AWG, N,
DRK BLUTE Part #1-163087-1
SPEC.PLATEDTE Part #353255-1
110 HSG. PL EX REC. 7.6mm 3P NATTE Part #361511-7
DWP-125-3/4-0-STK

Documents

Product Drawings

[GIC2.5W CAPHOUSING 8POS \(2-ROW\) NAT](#)

English

CAD Files

[3D PDF](#)

3D

Customer View Model

[ENG_CVM_CVM_1981971-1_E_c-1981971-1-e.2d_dxf.zip](#)



English

Customer View Model

[ENG_CVM_CVM_1981971-1_E_c-1981971-1-e.3d_igs.zip](#)

English

Customer View Model

[ENG_CVM_CVM_1981971-1_E_c-1981971-1-e.3d_stp.zip](#)

English

By downloading the CAD file I accept and agree to the [Terms and Conditions](#) of use.

Product Specifications

[Application Specification](#)

English

Agency Approvals

[UL Report](#)

English