

34823 ✓ ACTIVE

PLASTI-GRIP

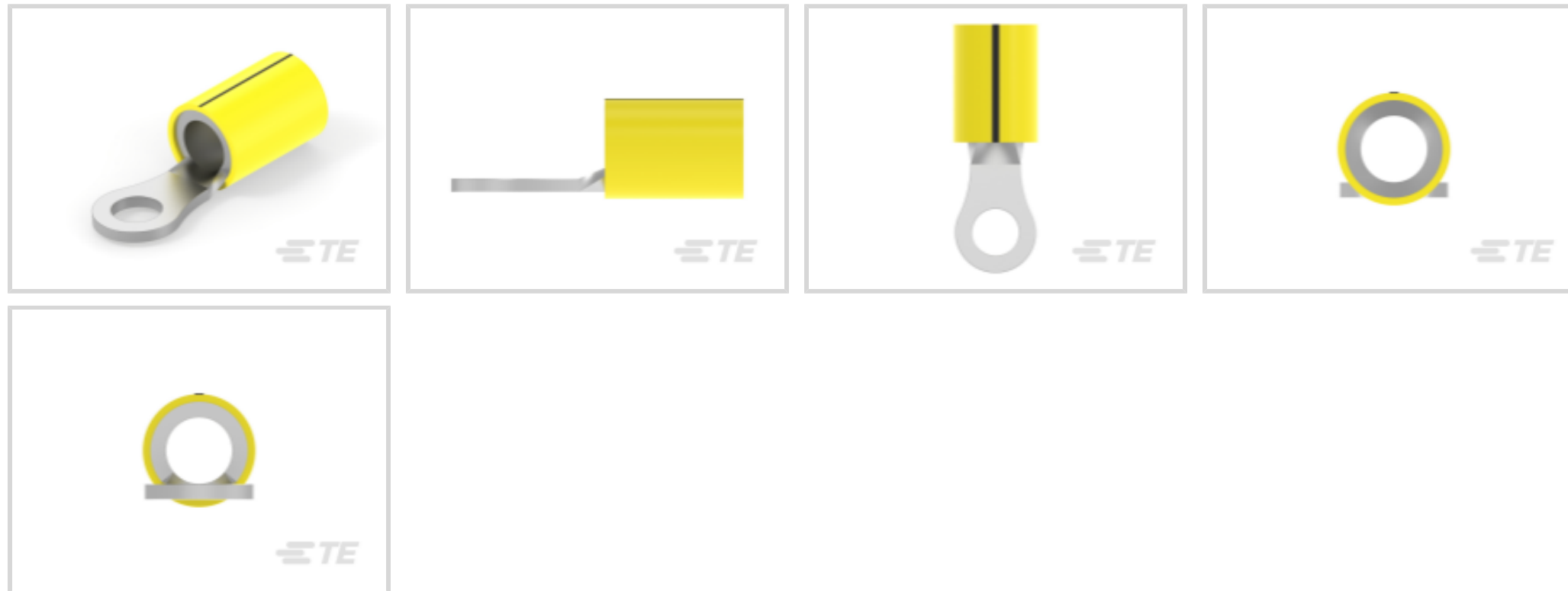
TE Internal #: 34823

Closed Ring Tongue Terminal, 16 – 14 AWG, #10 Stud Size, 4.82 mm [.19 in] Stud Diameter, Closed Barrel, Straight, Tin, PLASTI-GRIP

[View on TE.com >](#)



Terminals & Splices > Ring Terminals



Ring Terminal Product Type: **Closed Ring Tongue Terminal**

Wire Size: **2050 – 5180 CMA**

Stud Size: **#10**

### Features

#### Product Type Features

Ring Terminal Product Type	Closed Ring Tongue Terminal
Stud Size	#10
Sealable	No
Wire Insulation Support Retention Type	Insulation Support
Terminal Features	Heavy Duty

#### Dimensions

Wire Size	2050 – 5180 CMA
Stud Diameter	4.82 mm [.19 in]
Tongue Thickness	1.22 mm [.05 in]
Product Length	26.57 mm [1.05 in]
Compatible Insulation Diameter (Max)	5.08 mm [.2 in]
Compatible Insulation Diameter Range	2.67 – 5.08 mm [.105 – .2 in]

#### Contact Features

Barrel Type	Closed
Terminal Orientation	Straight
Terminal Plating Material	Tin



### Usage Conditions

Insulation Option	Partially Insulated
Operating Temperature Range	105 °C[221 °F]

### Operation/Application

Compatible With Wire Base Material	Copper
Compatible With Wire Plating Material	Tin

### Packaging Features

Packaging Method	Loose Piece
Packaging Quantity	500

### Other

EU RoHS Compliance	Compliant
EU ELV Compliance	Compliant

### Configuration Features

Number of Holes	1
-----------------	---

### Electrical Characteristics

Voltage Rating	600 V
----------------	-------

### Body Features

Product Weight	1.921 g
Stripe Color	Black

### Mechanical Attachment

Wire Insulation Support	With
-------------------------	------

### Industry Standards

Government Qualified Terminal	No
-------------------------------	----

## Product Compliance

[For compliance documentation, visit the product page on TE.com>](#)

EU RoHS Directive 2011/65/EU	Compliant
EU ELV Directive 2000/53/EC	Compliant
China RoHS 2 Directive MIIT Order No 32, 2016	No Restricted Materials Above Threshold
EU REACH Regulation (EC) No. 1907/2006	Current ECHA Candidate List: JUNE 2024 (241) Candidate List Declared Against: JUNE 2024 (241)



Does not contain REACH SVHC

Halogen Content

Not Low Halogen - contains Br or Cl > 900 ppm.

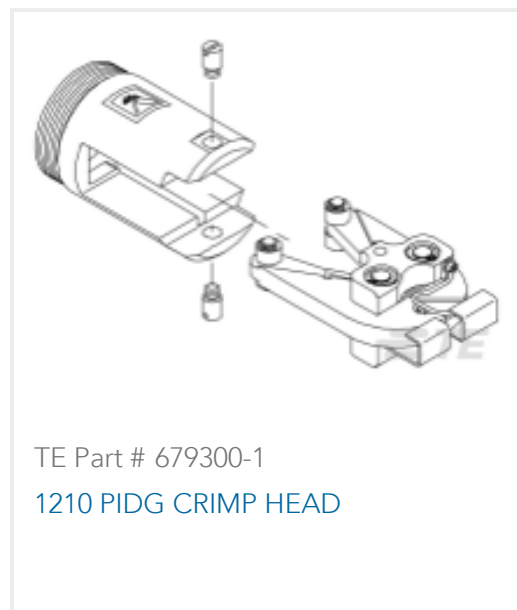
Solder Process Capability

Not applicable for solder process capability

Product Compliance Disclaimer

This information is provided based on reasonable inquiry of our suppliers and represents our current actual knowledge based on the information they provided. This information is subject to change. The part numbers that TE has identified as EU RoHS compliant have a maximum concentration of 0.1% by weight in homogenous materials for lead, hexavalent chromium, mercury, PBB, PBDE, DBP, BBP, DEHP, DIBP, and 0.01% for cadmium, or qualify for an exemption to these limits as defined in the Annexes of Directive 2011/65/EU (RoHS2). Finished electrical and electronic equipment products will be CE marked as required by Directive 2011/65/EU. Components may not be CE marked. Additionally, the part numbers that TE has identified as EU ELV compliant have a maximum concentration of 0.1% by weight in homogenous materials for lead, hexavalent chromium, and mercury, and 0.01% for cadmium, or qualify for an exemption to these limits as defined in the Annexes of Directive 2000/53/EC (ELV). Regarding the REACH Regulation, the information TE provides on SVHC in articles for this part number is based on the latest European Chemicals Agency (ECHA) 'Guidance on requirements for substances in articles' posted at this URL: <https://echa.europa.eu/guidance-documents/guidance-on-reach>

## Compatible Parts



TE Part # 679300-1  
1210 PIDG CRIMP HEAD



TE Part # 59824-1  
TETRA-CRIMP PIDG PG FASTON 22-10 ASSY



TE Part # 58433-3  
PRO CR ASSY, RBY IS9252



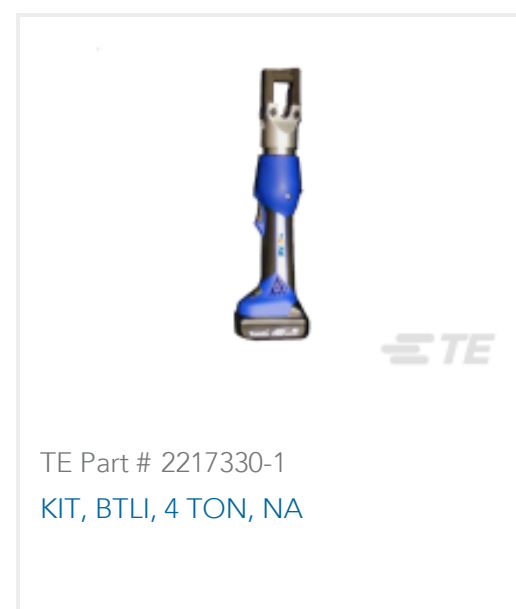
TE Part # 59239-4  
HHHT PIDG PG 12-10 ASSY



TE Part # 539691-2  
ERGO DIE R.B.Y



TE Part # 58423-1  
DIE, RBY IS9252



TE Part # 2217330-1  
KIT, BTLI, 4 TON, NA



TE Part # 47808-6  
DIES PIDG 12-10 DIE SET



TE Part # 169400  
CERTI-LOK FRAME W/O DIES



TE Part # 169404  
CERTI-LOK DIE

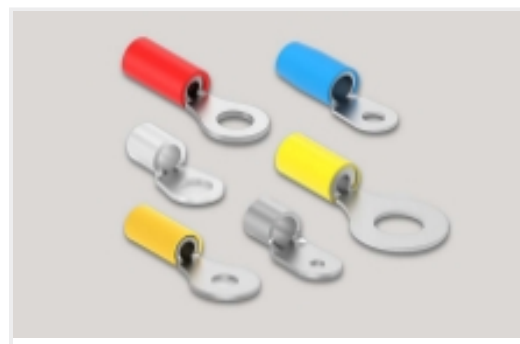
Also in the Series | **PLASTI-GRIP**



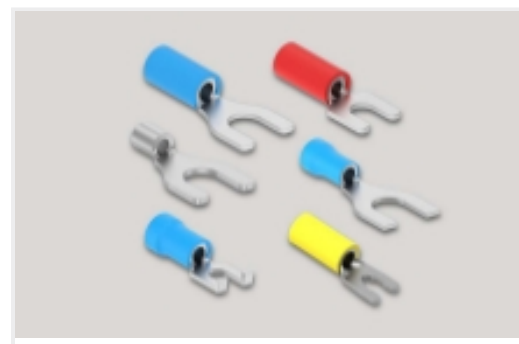
Compression Connectors(3)



Crimp Wire Pins, Tabs & Ferrules(18)



Ring Terminals(297)



Spade Terminals(157)



Splices(44)

### Customers Also Bought



TE Part #794940-1  
06P MINI UMNL CAP HSG



TE Part #794772-6  
06P MINI UMNL SEAL,DIE CUT



TE Part #794772-8  
08P MINI UMNL SEAL,DIE CUT



TE Part #1-770902-1  
MINI UMNL SOK 26-22 AWG AU LF



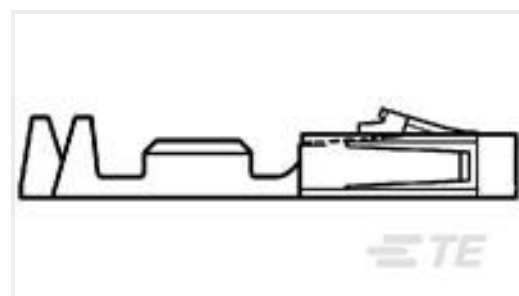
TE Part #1586359-8  
08P MINIMUMNL GANG WIRE SEAL DR



TE Part #170359-3  
MINI UNIVERSAL M-N-L PIN



TE Part #42400-2  
250 FASTON REC 18-14 AWG TPBR



TE Part #1-104479-1  
SHORT POINT RECP CONT LP



TE Part #1586359-6  
06P MINIMUMNL GANG WIRE SEAL DR



TE Part #324075  
TERMINAL,PIDG R 26-22 10

### Documents



**Product Drawings**

[TERMINAL,PG R 16-14HD 10](#)

English

---

**CAD Files**

[3D PDF](#)

3D

**Customer View Model**

[ENG\\_CVM\\_CVM\\_34823\\_AA\\_c-34823-aa.2d\\_dxf.zip](#)

English

**Customer View Model**

[ENG\\_CVM\\_CVM\\_34823\\_AA\\_c-34823-aa.3d\\_igs.zip](#)

English

**Customer View Model**

[ENG\\_CVM\\_CVM\\_34823\\_AA\\_c-34823-aa.3d\\_stp.zip](#)

English

By downloading the CAD file I accept and agree to the [Terms and Conditions](#) of use.

---

**Product Specifications**

[Application Specification](#)

English

---

**Agency Approvals**

[UL Report](#)

English

[UL Report](#)

English

[UL Report](#)

English