

5055557-4 ✓ ACTIVE

AMP POWER TAP

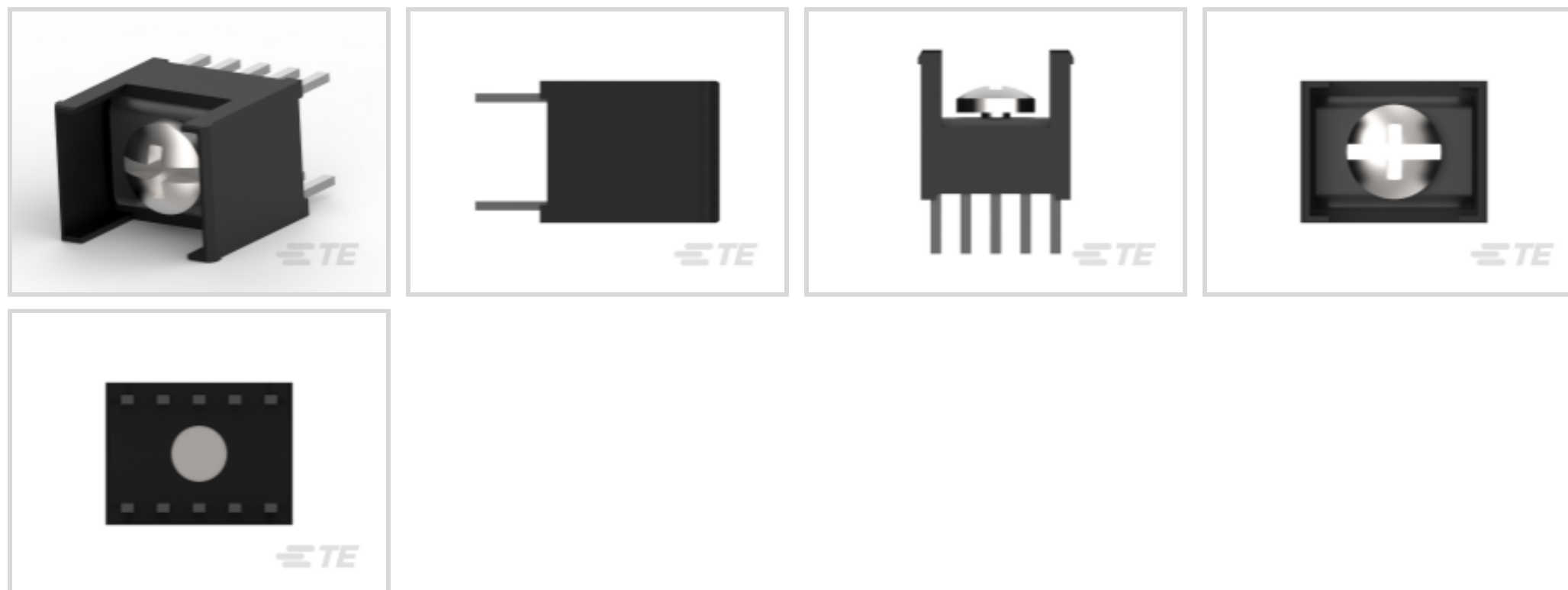
TE Internal #: 5055557-4

Power Tap, Terminates To Printed Circuit Board, 10 Position, 2.54 mm [.1 in] Centerline, Vertical, Stamped & Formed, Tin, Power Terminals

[View on TE.com >](#)



Terminals & Splices > Power Terminals



Power Terminal Type: **Power Tap**

Product Terminates To: **Printed Circuit Board**

Number of Positions: **10**

Contact Current Rating (Max): **25 A**

Centerline (Pitch): **2.54 mm [.1 in]**

Features

Mechanical Attachment

Thread Size	6-32
-------------	------

Usage Conditions

Insulation Option	Uninsulated
Operating Temperature Range	-55 – 85 °C[-67 – 185 °F]

Housing Features

Housing Material	Nylon - GF
Centerline (Pitch)	2.54 mm[.1 in]

Contact Features

PCB Contact Termination Area Plating Material Finish	Matte
Contact Mating Area Plating Material Finish	Matte
Contact Current Rating (Max)	25 A
Contact Fabrication	Stamped & Formed
Contact Mating Area Plating Material	Tin
Contact Mating Area Plating Material Thickness	3.81 µm[150 µin]



PCB Contact Termination Area Plating Material	Tin
PCB Contact Termination Area Plating Material Thickness	3.81 µm[150 µin]
Contact Base Material	Copper Alloy

Termination Features

Termination Method to PCB	Through Hole - Press-Fit
Termination Method to Wire & Cable	Tap Screw
Product Terminates To	Printed Circuit Board

Product Type Features

Footprint	7.62 x 2.54 mm[.3 x .1 in]
Power Terminal Type	Power Tap

Configuration Features

Number of Positions	10
PCB Mount Orientation	Vertical

Body Features

Terminal Profile	High
------------------	------

Dimensions

PCB Thickness (Recommended)	1.57 – 3.18 mm[.062 – .125 in]
Product Length	12.7 mm[.5 in]

Packaging Features

Packaging Method	Carton
------------------	--------

Other

EU RoHS Compliance	Compliant
EU ELV Compliance	Compliant

Product Compliance

[For compliance documentation, visit the product page on TE.com>](#)

EU RoHS Directive 2011/65/EU	Compliant
EU ELV Directive 2000/53/EC	Compliant
China RoHS 2 Directive MIIT Order No 32, 2016	No Restricted Materials Above Threshold
EU REACH Regulation (EC) No. 1907/2006	Current ECHA Candidate List: JUNE 2024 (241) Candidate List Declared Against: JUNE 2024 (241)



Does not contain REACH SVHC

Halogen Content

Not Low Halogen - contains Br or Cl > 900 ppm.

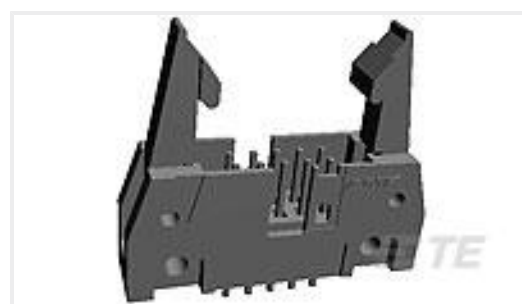
Solder Process Capability

Wave solder capable to 265°C

Product Compliance Disclaimer

This information is provided based on reasonable inquiry of our suppliers and represents our current actual knowledge based on the information they provided. This information is subject to change. The part numbers that TE has identified as EU RoHS compliant have a maximum concentration of 0.1% by weight in homogenous materials for lead, hexavalent chromium, mercury, PBB, PBDE, DBP, BBP, DEHP, DIBP, and 0.01% for cadmium, or qualify for an exemption to these limits as defined in the Annexes of Directive 2011/65/EU (RoHS2). Finished electrical and electronic equipment products will be CE marked as required by Directive 2011/65/EU. Components may not be CE marked. Additionally, the part numbers that TE has identified as EU ELV compliant have a maximum concentration of 0.1% by weight in homogenous materials for lead, hexavalent chromium, and mercury, and 0.01% for cadmium, or qualify for an exemption to these limits as defined in the Annexes of Directive 2000/53/EC (ELV). Regarding the REACH Regulation, the information TE provides on SVHC in articles for this part number is based on the latest European Chemicals Agency (ECHA) 'Guidance on requirements for substances in articles' posted at this URL: <https://echa.europa.eu/guidance-documents/guidance-on-reach>

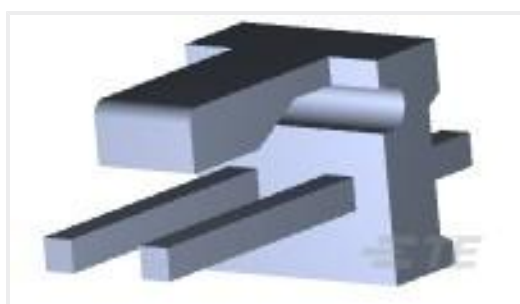
Customers Also Bought



TE Part #5102321-1
A/L UNIV HDR 10P VERT LG LAT



TE Part #4-1393236-3
V23092-A1060-A301



TE Part #3-641208-2
02P MTA156 HDR ASSY FL ST LF



TE Part #1-480698-9
02P UMNL PLUG HSG BLK



TE Part #641964-3
02P UMNL PIN HDR ASSY POL LF



TE Part #1-641964-1
02P UMNL HDR ASSY POL BLK



TE Part #1877285-4
04P EP SHRD HDR ASMY, WHITE



TE Part #2301997-5
RJ45 JACK INT.MAG. 10/100 LED 2X1



TE Part #214547-E
MSPPM 5 F SMD F6 * A V 137 094 * E008 J



TE Part #214552-E
MSPPM 5 M SMD M10 * A V 137 094 * E008 J

Documents



Product Drawings

[10 POWER TAP ASSY .100](#)

English

CAD Files

Customer View Model

[ENG_CVM_CVM_5055557-4_B.2d_dxf.zip](#)

English

[3D PDF](#)

3D

Customer View Model

[ENG_CVM_CVM_5055557-4_B.3d_igs.zip](#)

English

Customer View Model

[ENG_CVM_CVM_5055557-4_B.3d_stp.zip](#)

English

By downloading the CAD file I accept and agree to the [Terms and Conditions](#) of use.

Datasheets & Catalog Pages

[POWER_CONNECTORS_CATALOG_SEC02_CABLE_MOUNTED](#)

English

[PRINTED CIRCUIT BOARD TERMINALS AND DISCONNECTS](#)

English

Product Specifications

[Application Specification](#)

English