

3-180916-0 ✓ ACTIVE

FASTIN-FASTON | FASTIN-FASTON 250

TE Internal #: 3-180916-0

Tab, Tab Housing, 1 Position, Straight, UL 94V-2, Natural,
Polyamide, Contact Mating Retention, FASTIN-FASTON 250,
Crimp Terminal Housings

[View on TE.com >](#)



Terminals & Splices > Terminal Housings, Insulation Sleeves & Blocks > Crimp Terminal Housings



Terminal Type: **Tab**

Connector & Housing Type: **Tab Housing**

Number of Positions: **1**

Terminal Orientation: **Straight**

UL Flammability Rating: **UL 94V-2**

Features

Contact Features

Terminal Type	Tab
Terminal Orientation	Straight
Contact Mating Retention	With

Product Type Features

Connector & Housing Type	Tab Housing
Connector & Contact Terminates To	Wire & Cable
Sealable	No

Configuration Features

Number of Positions	1
---------------------	---

Industry Standards

UL Flammability Rating	UL 94V-2
------------------------	----------

Body Features

Primary Product Color	Natural
-----------------------	---------



Housing Features

Housing Material	Polyamide
------------------	-----------

Mechanical Attachment

Mating Alignment	With
Connector Mounting Type	Cable Mount (Free-Hanging)
Mating Retention Type	Latch

Usage Conditions

Operating Temperature Range	-40 – 105 °C[-40 – 221 °F]
-----------------------------	----------------------------

Other

EU RoHS Compliance	Compliant
EU ELV Compliance	Compliant

Dimensions

Product Length	31.1 mm[1.22 in]
----------------	------------------

Packaging Features

Packaging Quantity	1400
--------------------	------

Product Compliance

[For compliance documentation, visit the product page on TE.com>](#)

EU RoHS Directive 2011/65/EU	Compliant
EU ELV Directive 2000/53/EC	Compliant
China RoHS 2 Directive MIIT Order No 32, 2016	No Restricted Materials Above Threshold
EU REACH Regulation (EC) No. 1907/2006	Current ECHA Candidate List: JUNE 2024 (241) Candidate List Declared Against: JUNE 2024 (241) Does not contain REACH SVHC
Halogen Content	Not Low Halogen - contains Br or Cl > 900 ppm.
Solder Process Capability	Not applicable for solder process capability

Product Compliance Disclaimer

This information is provided based on reasonable inquiry of our suppliers and represents our current actual knowledge based on the information they provided. This information is subject to change. The part numbers that TE has identified as EU RoHS compliant have a maximum concentration of 0.1% by weight in homogenous materials for lead, hexavalent chromium, mercury, PBB, PBDE, DBP, BBP, DEHP, DIBP, and 0.01% for cadmium, or qualify for an exemption to these limits as defined in the Annexes of Directive 2011/65/EU (RoHS2). Finished electrical and electronic equipment products will be CE marked as required by Directive 2011/65/EU. Components may not be CE marked. Additionally, the part numbers that TE has identified as EU ELV compliant have a maximum concentration of 0.1% by weight in homogenous



materials for lead, hexavalent chromium, and mercury, and 0.01% for cadmium, or qualify for an exemption to these limits as defined in the Annexes of Directive 2000/53/EC (ELV). Regarding the REACH Regulation, the information TE provides on SVHC in articles for this part number is based on the latest European Chemicals Agency (ECHA) 'Guidance on requirements for substances in articles' posted at this URL: <https://echa.europa.eu/guidance-documents/guidance-on-reach>

Compatible Parts

TE Part # 170340-1
FF 250 TAB 20-14AWG BR WITHOUT LATCH

TE Part # 170341-3
FF 250 TAB 14-12AWG PTBR WITHOUT LATCH

TE Part # 170349-2
FF 250 TAB 22-20AWG TPBR WITHOUT LATCH

TE Part # 170340-3
FF 250 TAB 20-14AWG PTBR WITHOUT LATCH

TE Part # 170341-1
FF 250 TAB 14-12AWG BR WITHOUT LATCH

TE Part # 170349-1
FF 250 TAB 22-20AWG BR WITHOUT LATCH

Also in the Series | FASTIN-FASTON 250

Crimp Terminal Housings(207)

Insertion & Extraction Tools(2)

PCB Terminals(2)

Quick Disconnects(250)

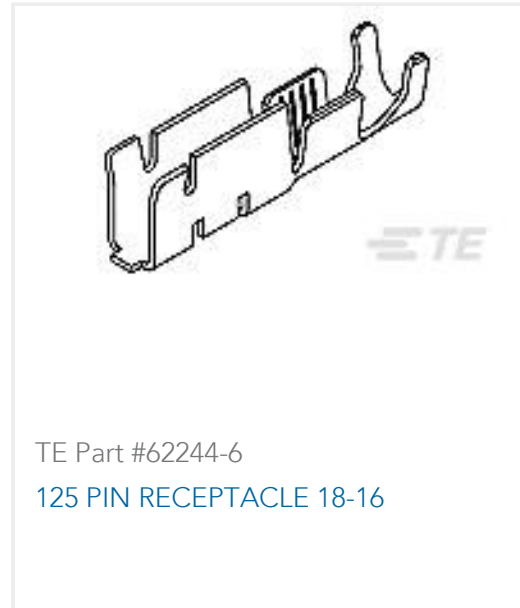
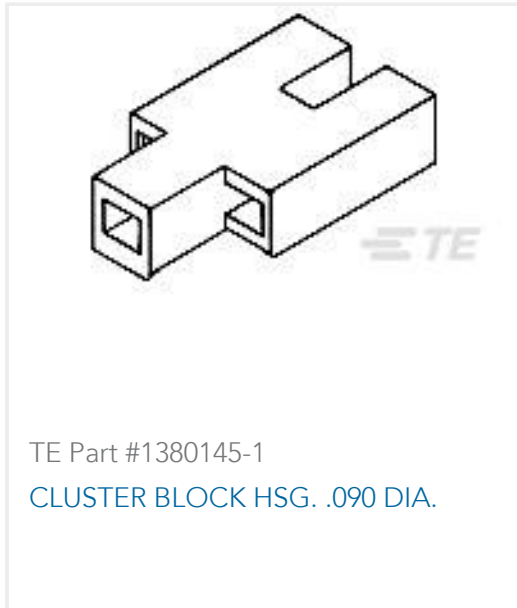
Customers Also Bought

TE Part #880631-5
CLUSTER BLOCK HSG .090 DIA

TE Part #881257-3
MAG-MATE TERMINAL

TE Part #4-280050-2
250 FASTON, FLAG, REC., 16-20 AWG, TPBR

TE Part #1380088-1
PL MKIII .250 REC 0.5-1.0MM2



Documents

Product Drawings

[FF 250 TAB HSG 1P NYLON NAT](#)

English

CAD Files

[3D PDF](#)

3D

Customer View Model

[ENG_CVM_CVM_3-180916-0_AD_c-3-180916-0-ad.2d_dxf.zip](#)

English

Customer View Model

[ENG_CVM_CVM_3-180916-0_AD_c-3-180916-0-ad.3d_igs.zip](#)

English

Customer View Model

[ENG_CVM_CVM_3-180916-0_AD_c-3-180916-0-ad.3d_stp.zip](#)

English

By downloading the CAD file I accept and agree to the [Terms and Conditions](#) of use.

Datasheets & Catalog Pages

[White Paper: Nylon Discoloration](#)

English

Product Specifications

[Application Specification](#)

English