



MTA 156

TE Internal #: 1-643067-5

Strain Relief Cover, White, Nylon, 15 Position, MTA 156

[View on TE.com >](#)

Connectors > Connector Accessories > Connector Caps & Covers



Connector Cover Type: **Strain Relief Cover**

Primary Product Color: **White**

Primary Product Material: **Nylon**

Number of Positions: **15**

Operating Temperature (Max): **105 °C [221 °F]**

Features

Product Type Features

Connector Cover Type	Strain Relief Cover
Product Profile	Standard

Body Features

Primary Product Color	White
Primary Product Material	Nylon

Configuration Features

Number of Positions	15
---------------------	----

Usage Conditions

Operating Temperature (Max)	105 °C[221 °F]
Operating Temperature Range	-55 – 105 °C[-67 – 221 °F]
Compatible With IDC Installation Type Connector	Closed End

Other

EU RoHS Compliance	Compliant
EU ELV Compliance	Compliant

Mechanical Attachment

Strain Relief	With
---------------	------

Housing Features

Centerline (Pitch)	3.96 mm [.156 in]
--------------------	-------------------

Industry Standards

UL Flammability Rating	UL 94V-2
------------------------	----------

Product Compliance

[For compliance documentation, visit the product page on TE.com>](#)

EU RoHS Directive 2011/65/EU	Compliant
------------------------------	-----------

EU ELV Directive 2000/53/EC	Compliant
-----------------------------	-----------

China RoHS 2 Directive MIIT Order No 32, 2016	No Restricted Materials Above Threshold
---	---

EU REACH Regulation (EC) No. 1907/2006	Current ECHA Candidate List: JUNE 2024 (241) Candidate List Declared Against: JUNE 2024 (241) Does not contain REACH SVHC
--	---

Halogen Content	Low Halogen - Br, Cl, F, I < 900 ppm per homogenous material. Also BFR/CFR/PVC Free
-----------------	---

Solder Process Capability	Not applicable for solder process capability
---------------------------	--

Product Compliance Disclaimer

This information is provided based on reasonable inquiry of our suppliers and represents our current actual knowledge based on the information they provided. This information is subject to change. The part numbers that TE has identified as EU RoHS compliant have a maximum concentration of 0.1% by weight in homogenous materials for lead, hexavalent chromium, mercury, PBB, PBDE, DBP, BBP, DEHP, DIBP, and 0.01% for cadmium, or qualify for an exemption to these limits as defined in the Annexes of Directive 2011/65/EU (RoHS2). Finished electrical and electronic equipment products will be CE marked as required by Directive 2011/65/EU. Components may not be CE marked. Additionally, the part numbers that TE has identified as EU ELV compliant have a maximum concentration of 0.1% by weight in homogenous materials for lead, hexavalent chromium, and mercury, and 0.01% for cadmium, or qualify for an exemption to these limits as defined in the Annexes of Directive 2000/53/EC (ELV). Regarding the REACH Regulation, the information TE provides on SVHC in articles for this part number is based on the latest European Chemicals Agency (ECHA) 'Guidance on requirements for substances in articles' posted at this URL: <https://echa.europa.eu/guidance-documents/guidance-on-reach>

Compatible Parts



TE Part # CAT-103156-WBHSM
Receptacle Housing: Wire-to-Board, with Mating Alignment, SL156



TE Part # 1-640388-5
15P MTA156 HDR ASSY RN STR F/L



TE Part # 644958-1
15P MTA156 HDR ASSY,R/A,OMIT



TE Part # 1-640445-5
15P MTA156 HDR ASSY FL/STR SNL



TE Part # 1-640385-5
15P MTA156 HDR ASSY SQ R/A



TE Part # 1-640383-5
15P MTA156 HDR ASSY STR SQ SN



TE Part # 1-643067-2
12P MTA156 MOLDED COVER



TE Part # 4-640426-5
15P MTA156 CONN ASSY 18AWG ORA



TE Part # 1-640384-5
15P MTA156 HDR ASSY STR RND SN



TE Part # 4-640428-5
15P MTA156 CONN ASSY 22AWG RED



TE Part # 1-640387-5
15P MTA156 HDR ASSY SQ R/A



TE Part # 1-640251-5
15P SL156 HSG W/O LCK RAMP



TE Part # 4-640600-5
15P MTA156 CONN ASSY 20AWG LF



TE Part # 1-644752-5
15P MTA156 HDR ASSY SQ STR F/L



TE Part # 1-640389-5
15P MTA156 HDR ASSY SQ R/A F/L



TE Part # 1-770996-5
15P SL 156 HSG W/TABS W/O LR



TE Part # 4-643819-5
15P MTA156 CONN ASSY 22AWG LF



TE Part # 4-640427-5
15P MTA156 CONN ASSY 20AWG YEL



TE Part # 4-641435-5
15P MTA156 CONN ASSY ORNG

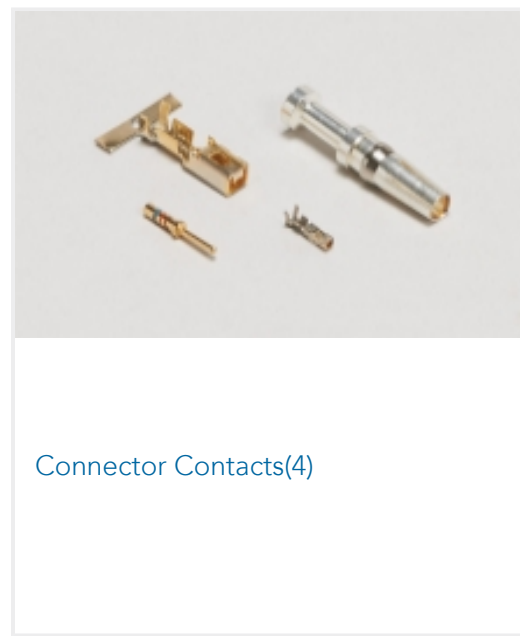


TE Part # 641533-1
02P MTA156 CONN HSG,END CAP

Also in the Series | **MTA 156**



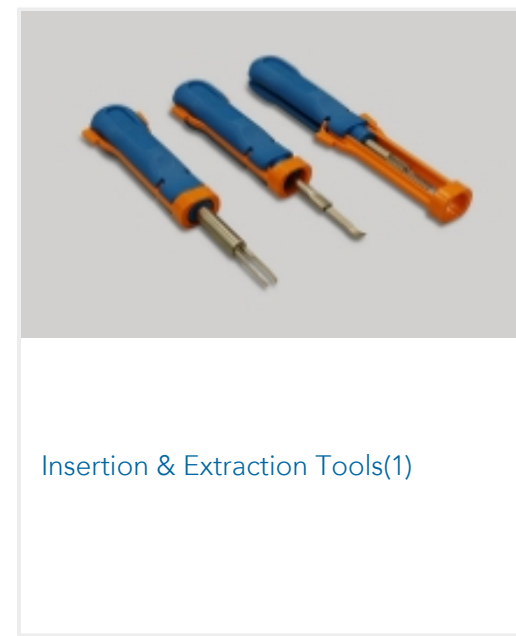
Connector Caps & Covers(89)



Connector Contacts(4)



Connector Hardware(2)



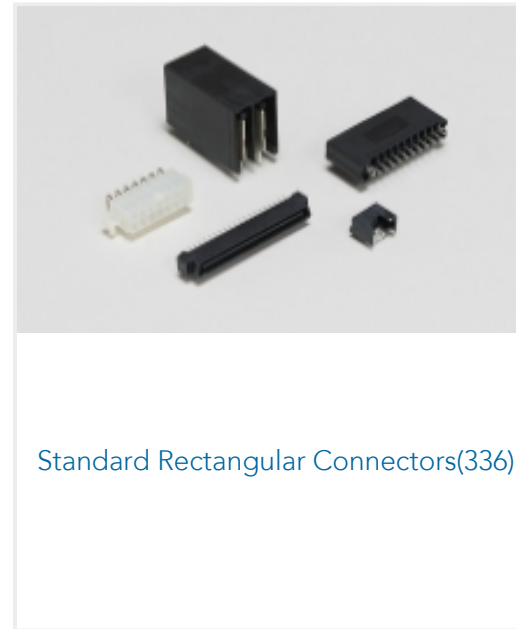
Insertion & Extraction Tools(1)



PCB Headers & Receptacles(677)



Rectangular Power Connectors(331)



Standard Rectangular Connectors(336)

Customers Also Bought



TE Part #5-1393211-3
T92P11D22-12



TE Part #862004-1
RECEPTACLE



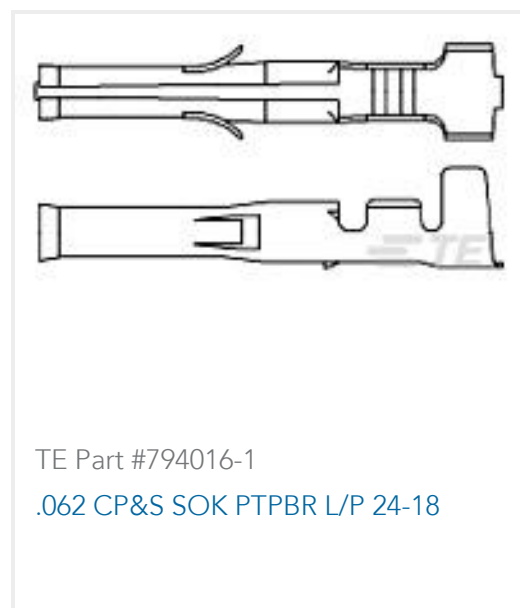
TE Part #3-520412-2
ULTRA-FAST 187 ASY REC 16-14 AWG
TPBR



TE Part #735160
TERM, RECPT, PIDG, FAST, .250, 16-14



TE Part #140814-1
250 FASTON,TAB,BR



TE Part #794016-1
.062 CP&S SOK PTPBR L/P 24-18



TE Part #2-6609129-8
5EFM4S=F8112



TE Part #228226-1
BNC BLKHD JACK ADAPTER GOLD



TE Part #364198-E
SRCBUG A 2,54 2 2 CSI 112 E1 ADV
TRAY J



TE Part #865656-3
LGH 7 PIN MIN CIRC PLUG KIT

Documents



Product Drawings

15P MTA156 MOLDED COVER

English

CAD Files

3D PDF

3D

Customer View Model

[ENG_CVM_CVM_1-643067-5_P.2d_dxf.zip](#)

English

Customer View Model

[ENG_CVM_CVM_1-643067-5_P.3d_igs.zip](#)

English

Customer View Model

[ENG_CVM_CVM_1-643067-5_P.3d_stp.zip](#)

English

3D PDF

English

Customer View Model

[ENG_CVM_1-643067-5_G.2d_dxf.zip](#)

English

Customer View Model

[ENG_CVM_1-643067-5_G.3d_igs.zip](#)

English

Customer View Model

[ENG_CVM_1-643067-5_G.3d_stp.zip](#)

English

By downloading the CAD file I accept and agree to the [Terms and Conditions](#) of use.

Product Specifications

Application Specification

Japanese

Application Specification

English

MTA 156 Ribbon Cable Connector Assemblies (English And Spanish)

English

MTA 156 Ribbon Cable Connector Assemblies (English And Spanish)

Japanese

Instruction Sheets

Instruction Sheet (U.S.)

English